



BRETFORD

SAN FRANCISCO CIRCULATION DESK

NARROW / WIDE DRAWER PULL-OUT SHELF

Assembly Instructions

PARTS LIST - DRAWERS

Qty	Part #	Description
1		Drawer Assembly
1	030-2237	Slide
1	030-0844	Handle
1	010-5019	Drawer Top Cover (Models CBSFN & CBSDN ONLY)
1	010-5020	Drawer Top Cover (Models CBSFW & CBSDW ONLY)

HARDWARE LIST - DRAWERS

Ref.	Qty	Part #	Description
AA	8	HD1023	5mm Diameter Expanding Bushing
BB	4	030-0298	8 x 3/8 SMS Phillips Truss Hd Screws
CC	4	SC1056	#6 x 5/8" Phillips Flat Head Screws
DD	2	030-0845	5 x 14 Handle Screws
FOR MODELS WITH A LOCK			
	1	HD1137	Lock Core
	1	HD1251	Lock Body

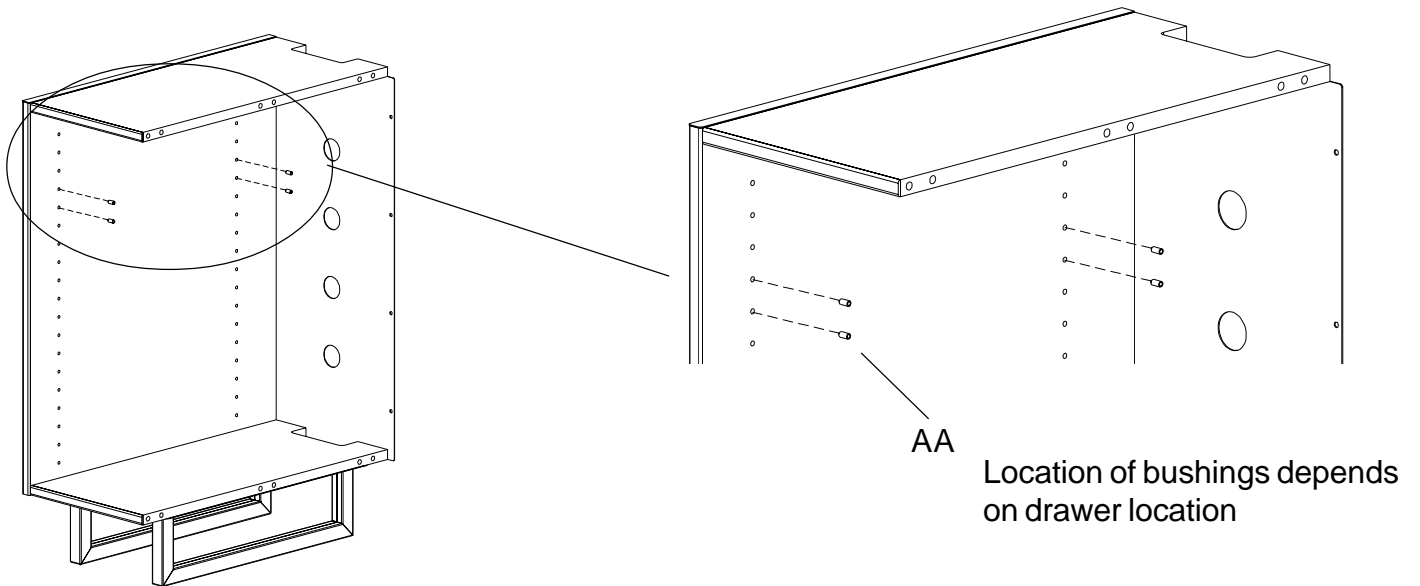
PARTS LIST - PULL OUT SHELVES

Qty	Part #	Description
1	030-2237	Slide
1	030-0844	Handle
1	010-6017	Pull Out Shelf (Model CBSON ONLY)
1	010-6018	Pull Out Shelf (Model CBSOW ONLY)

HARDWARE LIST - PULL OUT SHELVES

Ref.	Qty	Part #	Description
AA	4	HD1023	5mm Diameter Expanding Bushing
BB	4	SC1056	#6 x 5/8" Phillips Flat Head Screws
CC	2	030-0519	M4 Handle Screws

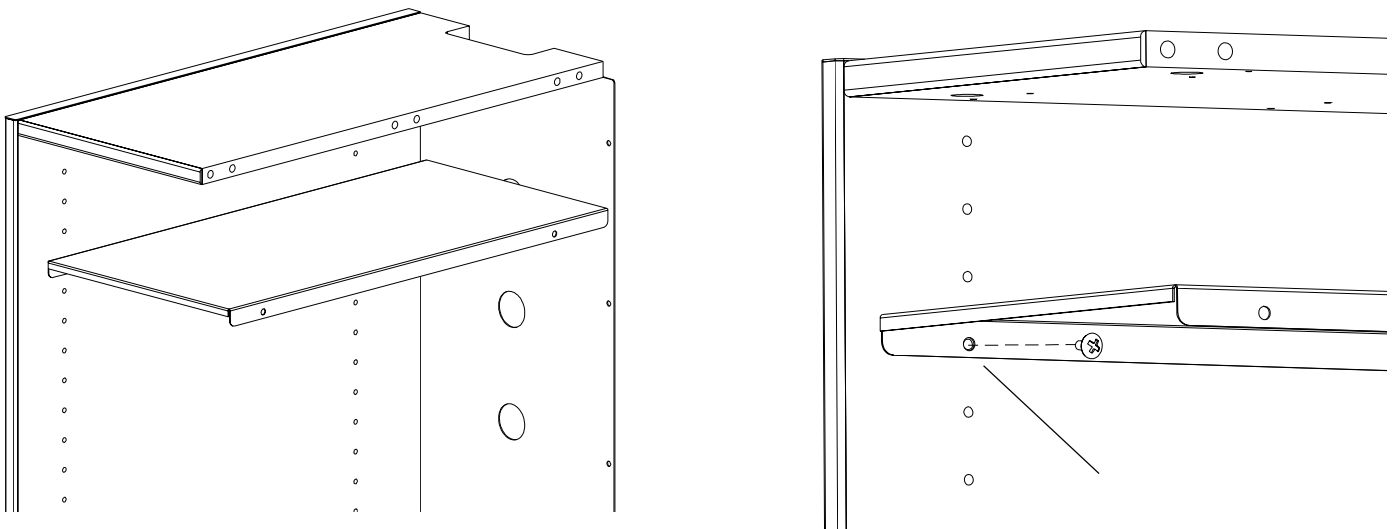
SIDE PANEL OF SHELL UNIT IS REMOVED IN ALL STEPS FOR CLARITY



STEP 1

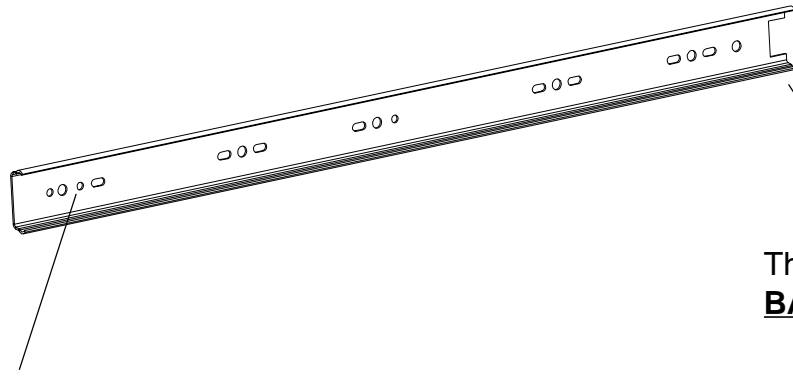
Tap bushings (AA) into 4 holes on each side panel with a rubber mallet as shown. The bushing location depends on your desired drawer position. The upper bushings will be for the top cover and the lower bushings are for the slides.

FOR PULL OUT SHELVES, USE THE SAME PROCEDURE EXCEPT ONLY USE ONE HOLE POSITION TO INSERT THE PLASTIC BUSHINGS FOR THE SLIDES.



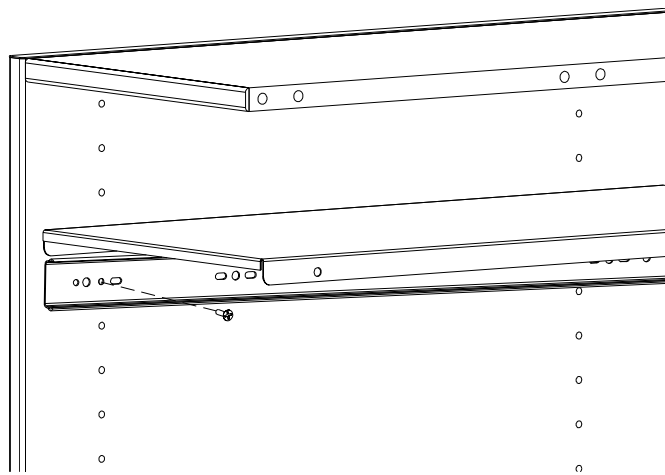
STEP 2

Install the top cover into the top bushing holes using screws (BB) as shown.



This edge faces the **FRONT** of the unit.
Install through 3rd hole.

This edge faces the **BACK** of the unit

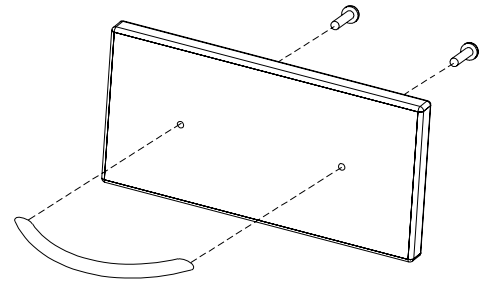
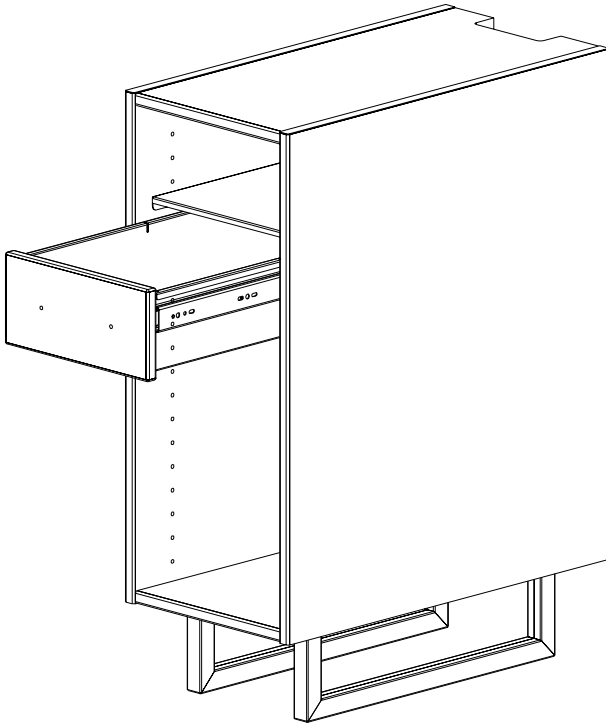


STEP 3

Install each slide in the lower bushing with screws (CC) as shown.

NOTE: Use Slide reference drawing for correct location on side panel.

FOR PULL OUT SHELVES, USE THE SAME PROCEDURE FOR THE SLIDE INSTALLATION.



STEP 4

Slide drawer into shell unit and then attach handles using screws (DD).

ALL OTHER COMPONENTS SUCH AS ADJUSTABLE SHELVES CAN BE INSTALLED BY SIMPLY INSERTING COLLAR PINS INTO THE DESIRED PANEL HOLES AND THEN PLACING THE COMPONENT ONTO THE PINS.

Bretford
11000 Seymour Avenue
Franklin Park, IL 60131
TEL: 847.678.2545
800.521.9614
FAX: 847.678.0852
800.343.1779

Bretford Ltd.
2 Etongate
110 Windsor Road
Slough, Berkshire SL1 2JA England
TEL: 01753 216531
FAX: 01753 539478

www.bretford.com

Part # 031-5726
Rev.07.19.06 CZ