

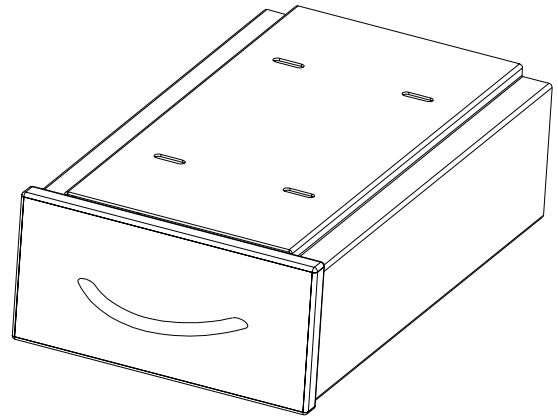


# BRETFORD

## SAN FRANCISCO CIRCULATION DESK

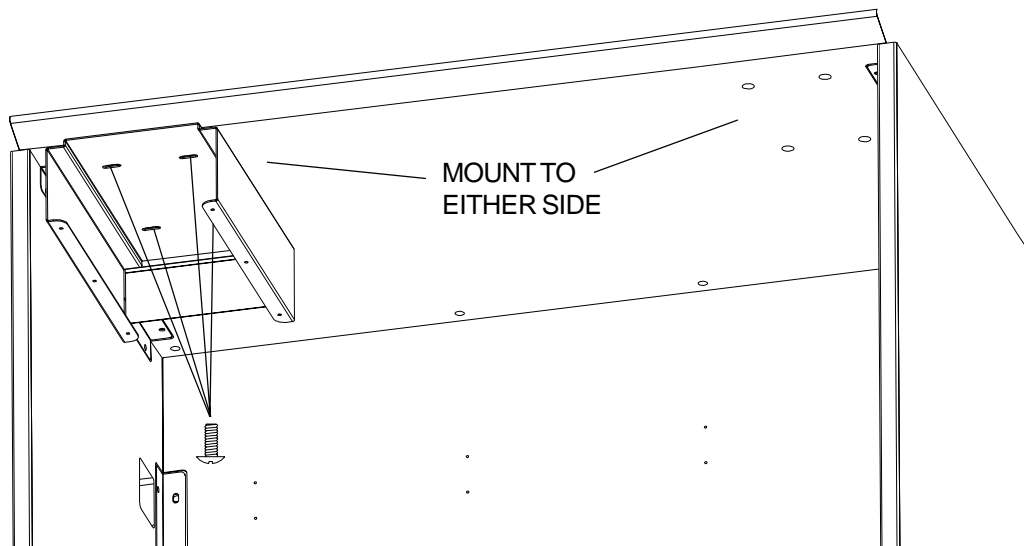
### PENCIL DRAWER

### Assembly Instructions



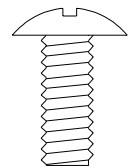
#### PARTS LIST

Qty	Part #	Description
1	010-6019	Pencil Drawer Housing Bracket
1		Pencil Drawer Assembly with Slides 030-2238 attached
1	030-0845	Handle
4	030-0304	1/4-20 x 5/8" Combo Truss Screws
6	SC1056	#6 x 5/8" Phillips Screws
2	030-0845	5 x 14 Handle Screws

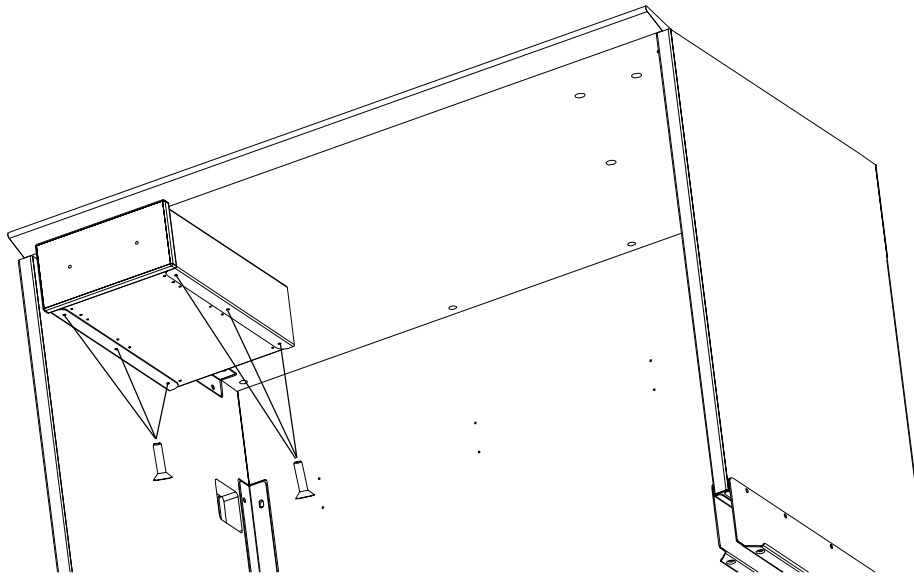


#### STEP 1

The pencil drawer can be mounted on either the right or left side of the worksurface. Attach the housing bracket to the worksurface as shown using the 030-0304 screws.

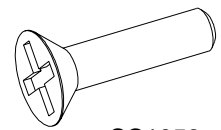


030-0304

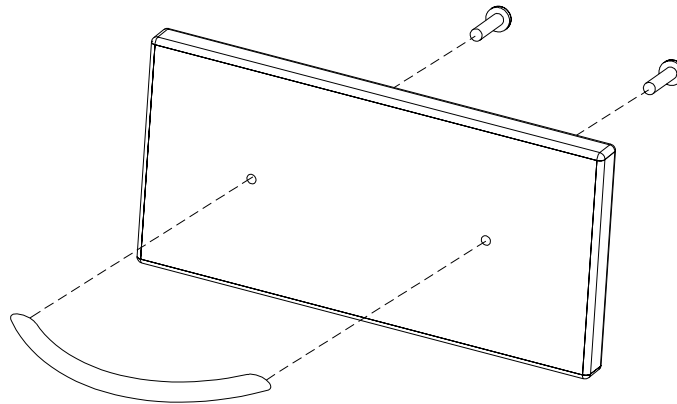


## STEP 2

Slide drawer into housing bracket and secure together as shown with the SC1056 screws

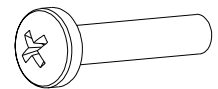


SC1056



## STEP 3

Attach handle to drawer front with the 030-0845 screws.  
**NOTE:** Only drawer front and handle are shown for clarity.



030-0845

**Bretford**  
11000 Seymour Avenue  
Franklin Park, IL 60131  
TEL: 847.678.2545  
800.521.9614  
FAX: 847.678.0852  
800.343.1779

**Bretford Ltd.**  
2 Etongate  
110 Windsor Road  
Slough, Berkshire SL1 2JA England  
TEL: 01753 216531  
FAX: 01753 539478