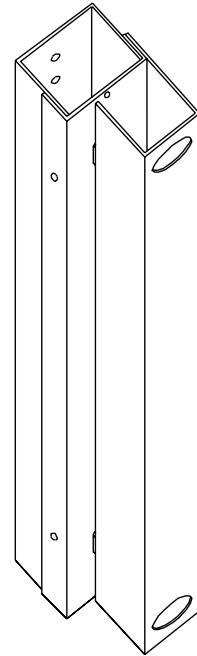




BRETFORD

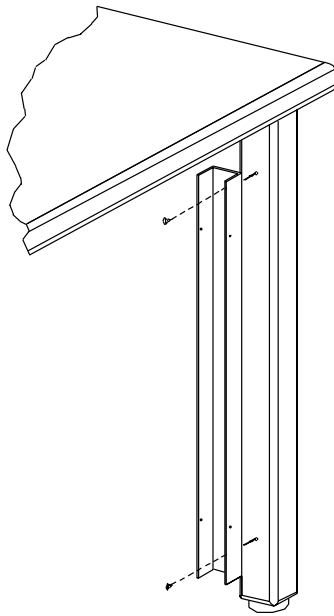
LCHASE LEG CHASE FOR TECHNOLOGY TABLES AND CARRELS

Assembly Instructions



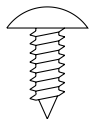
PARTS LIST

Qty.	Description
1	Leg Chase Body
1	Leg Chase Cover
1	Leg Chase Door
2	#10 x 1/2" Truss Head Screw
4	#6 x 1/4" Phillips Head Screw

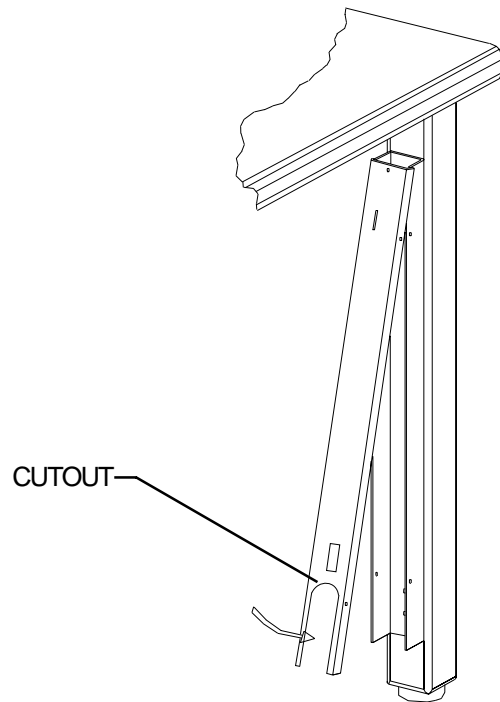


STEP 1

Position leg chase body nearest the opening of the wire bin where cords exit on your table (or carrel panel), mark and drill pilot holes. (**Note:** Do not drill all the way through carrel panel). Install the leg chase body with the #10 x 1/2" screws as shown.



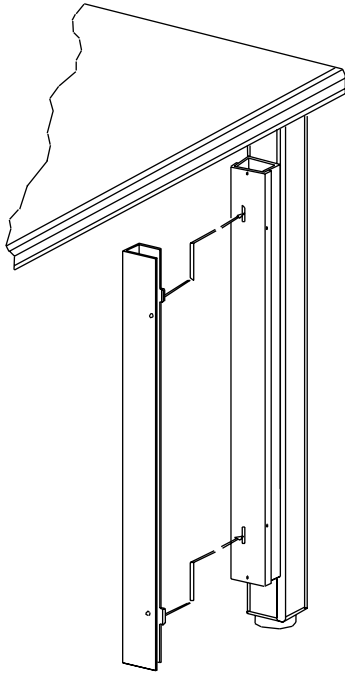
#10 X 1/2" screw



STEP 2

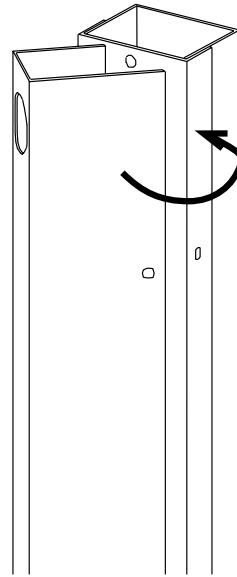
Once wires have been run, position leg chase cover so that cutout faces down ward, attach leg chase cover over the leg chase body by squeezing the (2) flanges together and slipping the leg cover on as shown, aligning the side mounting holes.

Note: Do not install any screws.



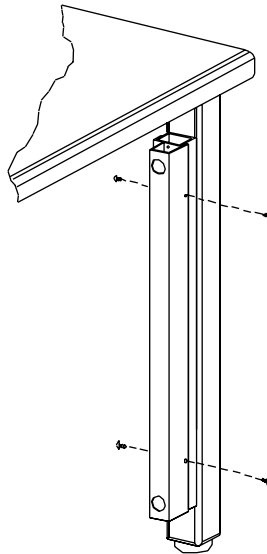
STEP 3

Align the leg chase door tabs with the slots of the leg case cover. Insert the tabs fully as shown.



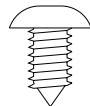
STEP 4

Pivot the leg chase door until it closes against the leg chase cover and the mounting holes are aligned.



STEP 5

Secure all pieces in place through the (4) side mounting holes with the #6 X 1/4" screws as shown.



#6 X 1/4" screw

Bretford
 11000 Seymour Avenue
 Franklin Park, IL 60131
 TEL: 847.678.2545
 800.521.9614
 FAX: 847.678.0852
 800.343.1779

Bretford Ltd.
 Technology House
 7 Lake End Court, Taplow
 Bucks SL6 0JQ England
 TEL: 01628 603558
 FAX: 01628 604923

www.bretford.com

Part#031-3057
 Rev.07.12.01 IM