



BRETFORD

LCPU

Legacy CPU Holder

Assembly Instructions

PARTS LIST

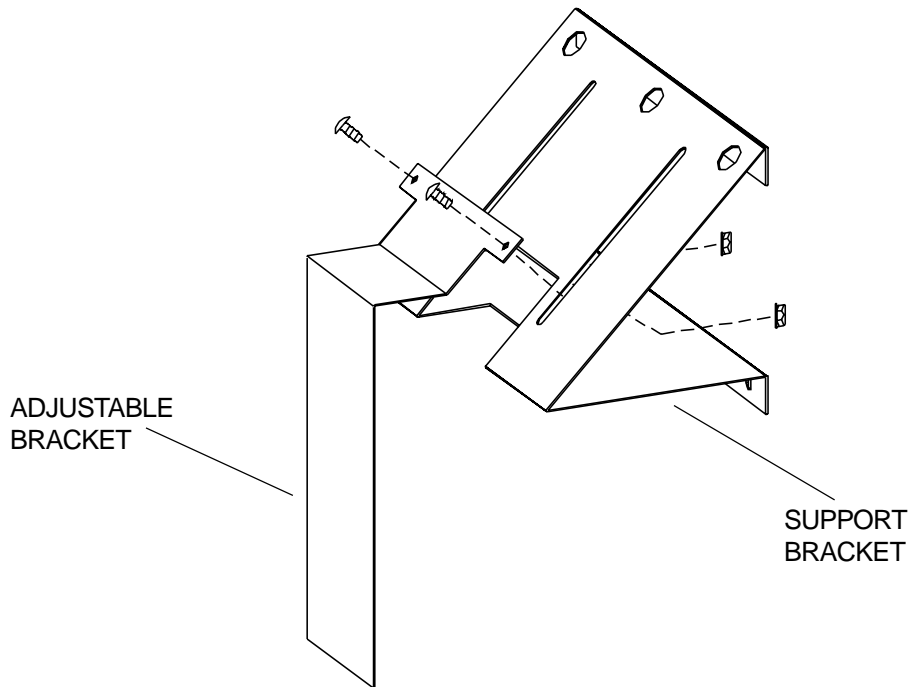
Qty	Part#	Description
1	010-2839	Support Bracket
1	010-2840	Adjustable Bracket

HARDWARE LIST

Ref	Qty	Part#	Description
AA	2	030-0291	#10-32 x 1/2" Phillips Truss Screws
BB	2	030-0357	10-32 Serrated Flange Nuts
CC	6	SC1040	#10 x 5/8" Pan Head Screws
	2	031-1822	Velcro Hooks
	2	031-1823	Velcro Loops

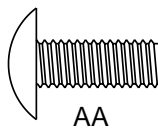
TOOLS REQUIRED

Phillips Screwdriver
Adjustable Wrench

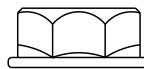


STEP 1

Attach the support bracket and the adjustable bracket together with screws (AA) and nuts (BB) as shown. The adjustable bracket can slide up and down on the support bracket by loosening the hardware. When desired position is found, tighten the hardware to secure in place.



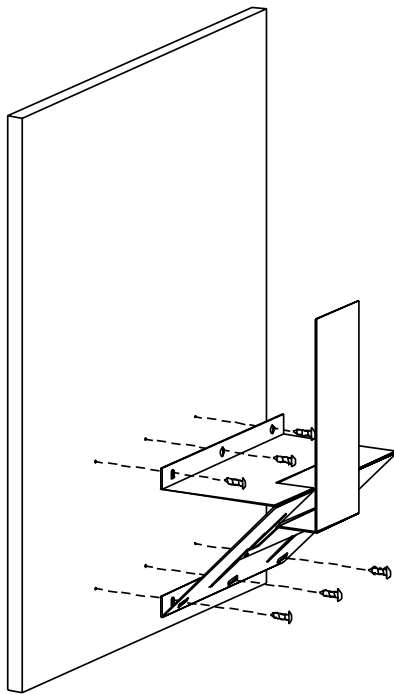
AA



BB

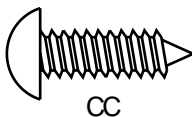
STEP 2

Using the template enclosed; drill the attachment holes for the CPU bracket in your desired location. You can drill the holes on either the inside or outside of your panel which ever applies to your application. **IMPORTANT NOTE:** Be sure to measure the height of your CPU in the CPU holder to make sure the bracket is attached at the correct height so it will not interfere with any worksurfaces or shelves.



STEP 3

Attach the CPU holder to your panel with screws (CC) as shown. Use the Velcro pieces to keep your CPU in place. Place the Velcro on the bracket and your CPU.



Bretford
11000 Seymour Avenue
Franklin Park, IL 60131
TEL: 847.678.2545
800.521.9614
FAX: 847.678.0852
800.343.1779

Bretford Ltd.
Technology House
7 Lake End Court, Taplow
Bucks SL6 0JQ England
TEL: 01628 603558
FAX: 01628 604923

Part #031-2664
01.21.98 CH