

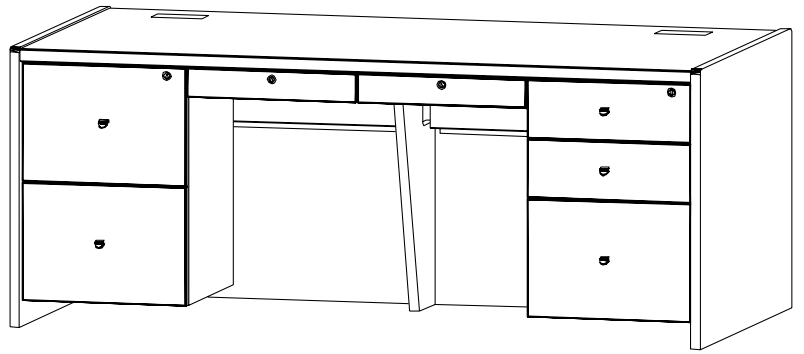


BRETFORD

LEGACY COLLECTION

LIBRARIAN'S DESK

Assembly Instructions

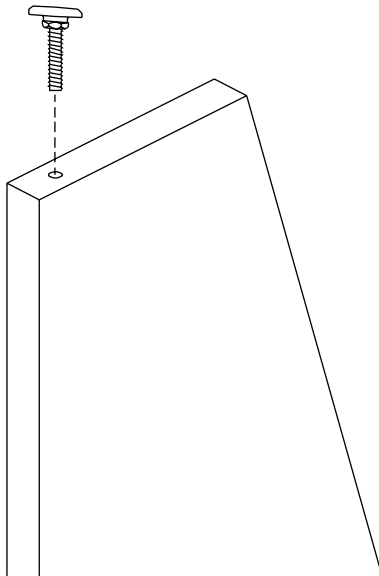


PARTS LIST

Qty	Description
1	Right End Panel
1	Left End Panel
1	Support Leg
1	Worksurface Top
1	Modesty Panel
2	Bracket Covers
2	Cord Bin Assemblies
1	Right End Panel Bracket
1	left End Panel Bracket
2	Worksurface Brackets
1	Support Leg Bracket

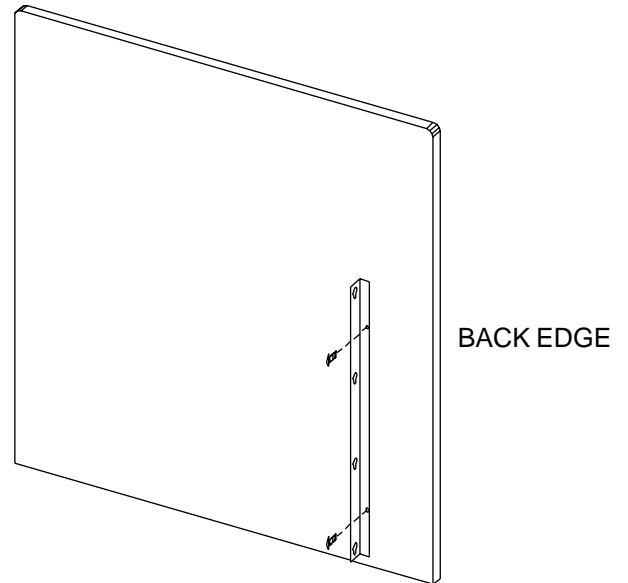
HARDWARE LIST

Ref	Qty	Description
AA	5	Floor Glides
BB	36	1/4-20 x 1/2" Round Head Machine Screws
CC	2	Mod-eez post #14 SMT x 1/2"
DD	6	#8 x 1 1/4" Phillips Screws
EE	6	#10 x 5/8" Phillips Pan Head Screws



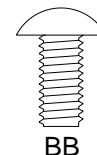
STEP 1

Twist each glide (AA) into the bottom of the wood support leg and each end panel.

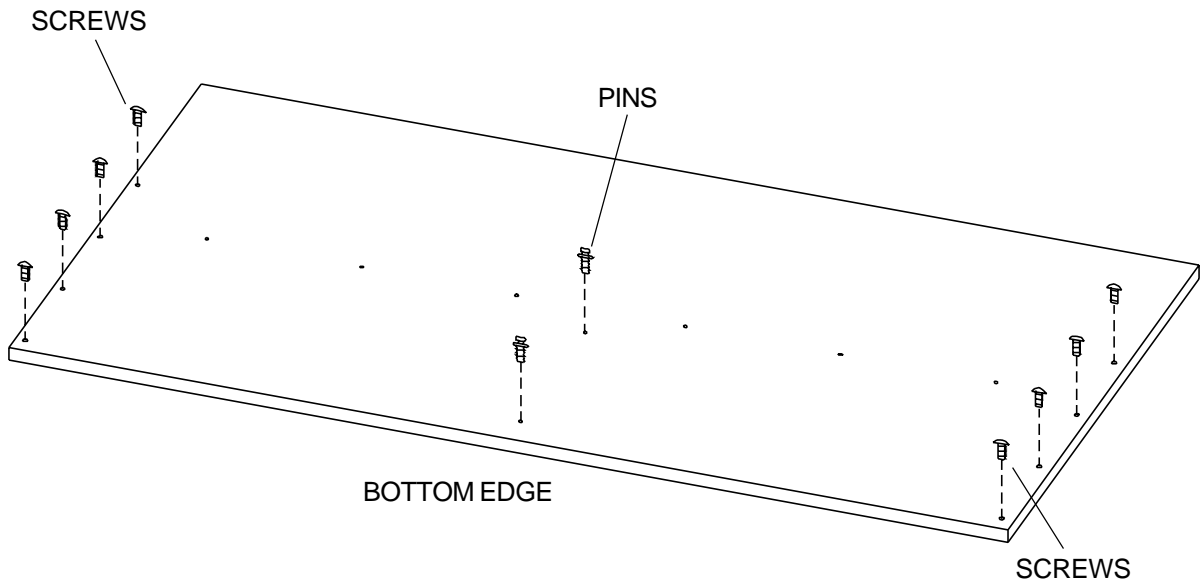


STEP 2

Locate the L-brackets with the pear shaped holes. Attach each bracket to each end panel as shown using screws (BB). **NOTE:** Pear shaped holes should face away from the back edge of the end panel.

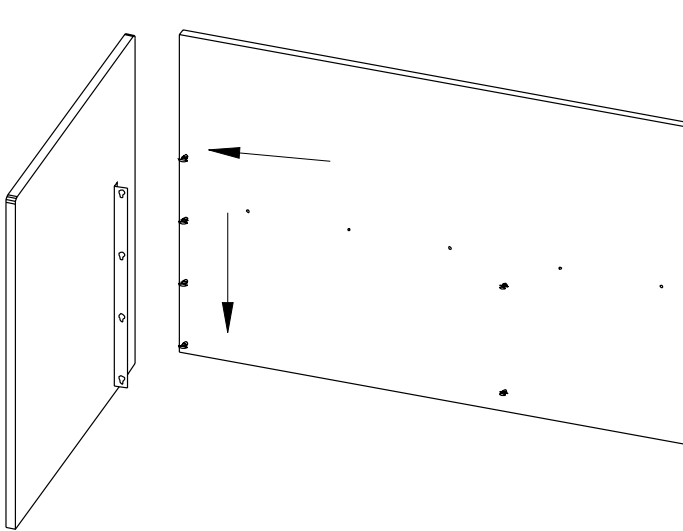
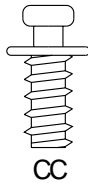


BB



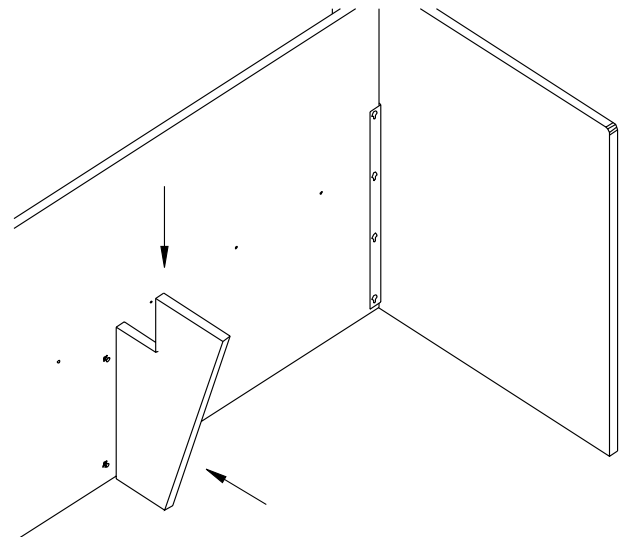
STEP 3

On the outside edges of the modesty panel, **LOOSELY** install screws BB (about 3 turns). Also **FULLY** install pins (CC) as shown.



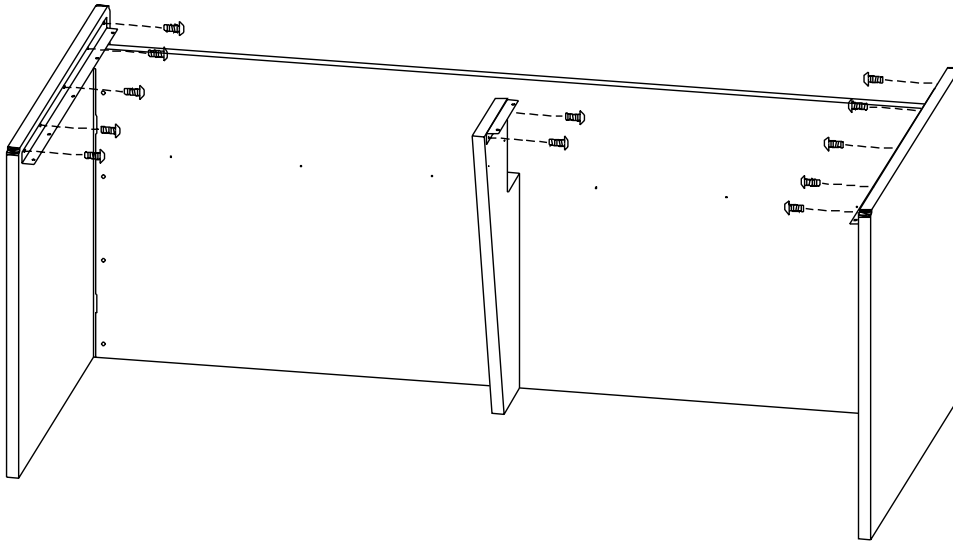
STEP 4

Align modesty panel with one end panel, then lower the modesty panel into place until the screws are **SECURELY** seated into the pear shaped holes. **TIGHTEN SCREWS**. Attach the other end panel in the same manner. **NOTE:** It may be helpful to have someone assist you during this step.



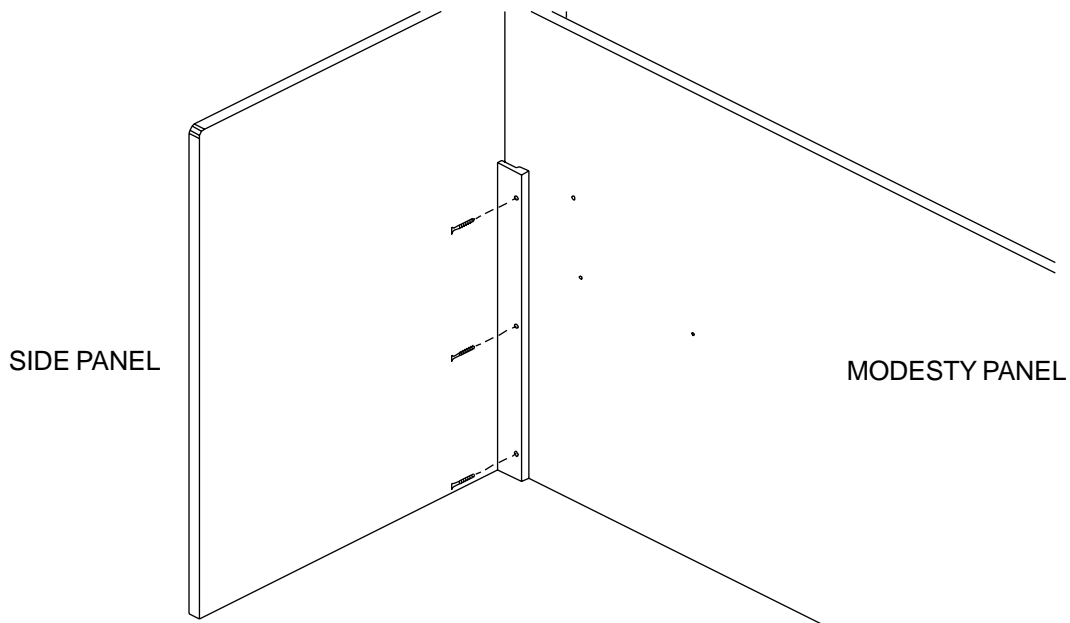
STEP 5

Slide support leg over pins in modesty panel. Tap leg into place until pins lock into the inserts in the support leg. A rubber mallet may be used to tap leg in place.



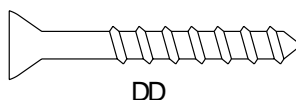
STEP 6

Position L-brackets on each end panel and wood support leg as shown. Secure in place with screws (BB).

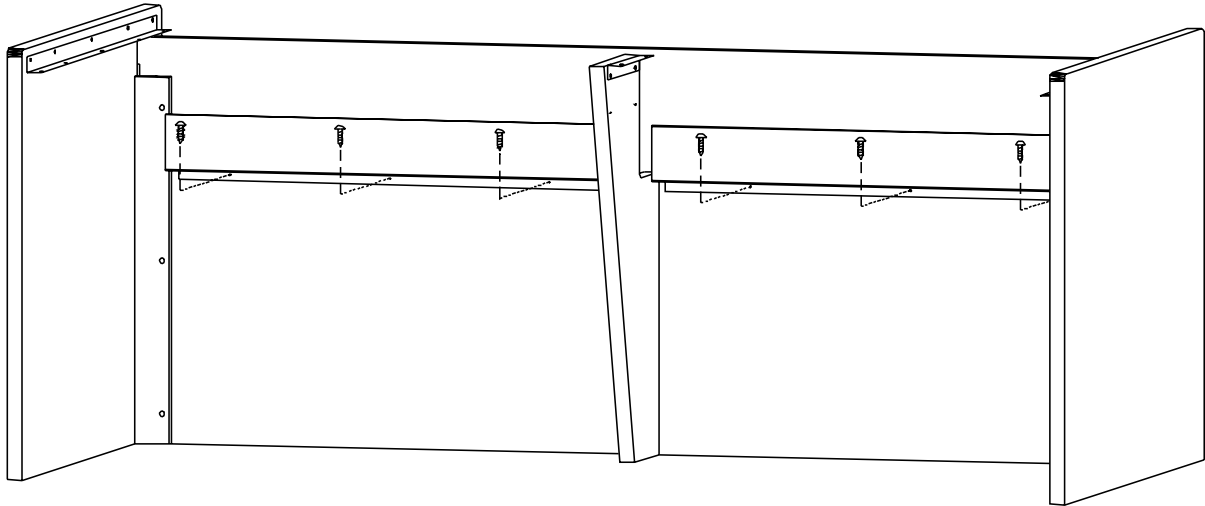


STEP 7

Attach each bracket cover in each corner to hide L-brackets as shown. Secure in place with screws (DD). **NOTE:** Make sure the bottom edge of the corner bracket is flush with the bottom edge of the modesty panel.

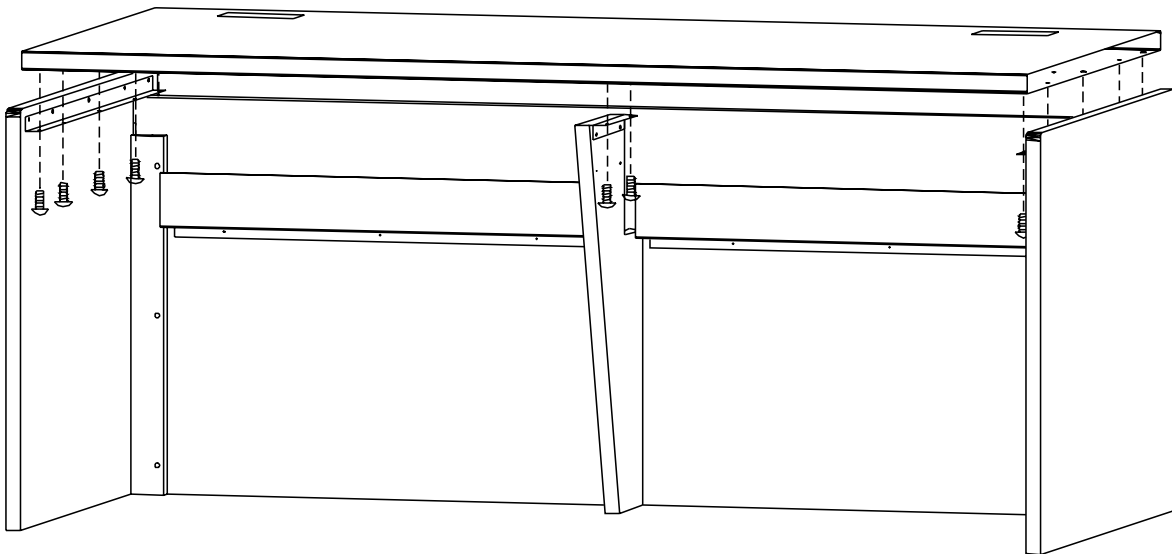
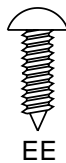


DD



STEP 8

Attach cord bins to modesty panel with screws (EE) as shown.



STEP 9

Secure worksurface top to L-brackets from underneath with screws (BB) as shown.

Bretford
11000 Seymour Avenue
Franklin Park, IL 60131
TEL: 847.678.2545
800.521.9614
FAX: 847.678.0852
800.343.1779

Bretford Ltd.
Technology House
7 Lake End Court, Taplow
Bucks SL6 0JQ England
TEL: 01628 603558
FAX: 01628 604923

www.bretford.com

Part #031-2497
Rev. 9.10.96 CH