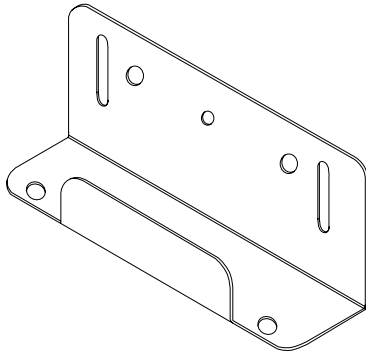


Assembly Instructions

BRET FORD LEGACY COLLECTION



WALL & FLOOR MOUNTING BRACKET



Hardware (bolts, screws, etc...) is not included. Use proper hardware and anchors for your installation.

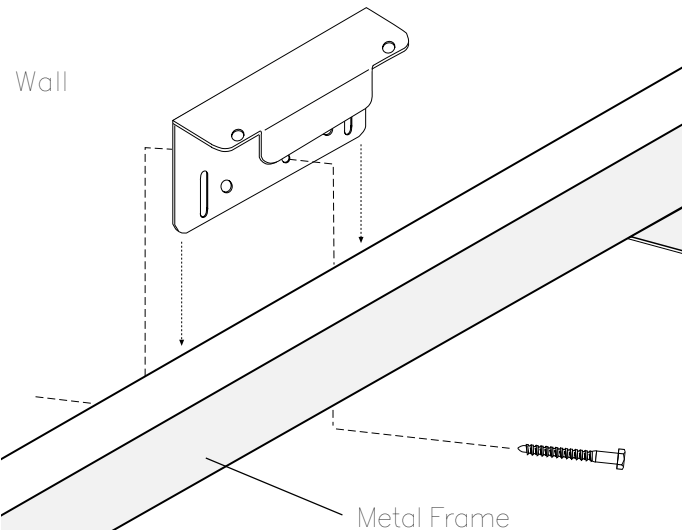
Bretford
11000 Seymour Avenue
Franklin Park, IL 60131
TEL: 847.678.2545
800.521.9614
FAX: 847.678.0852
800.343.1779

Bretford Ltd.
Technology House
7 Lake End Court, Taplow
Bucks SL6 0JQ England
TEL: 01628 603558
FAX: 01628 604923

www.bretford.com

Part #AI1009
Rev. 6.95 CH

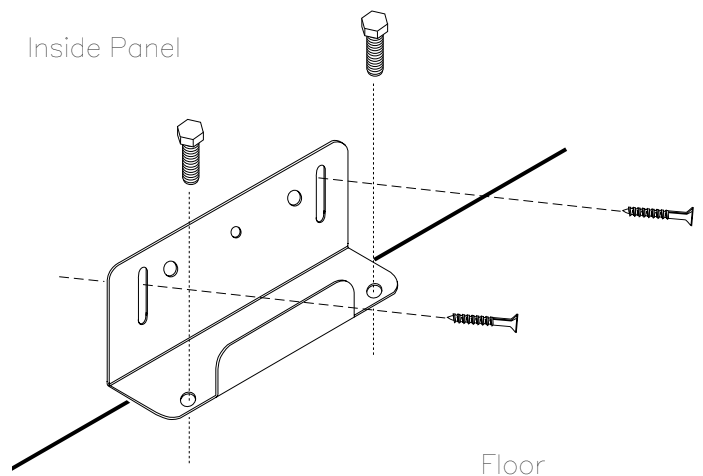
WALL MOUNT FOR SINGLE SIDED UNITS



Slide bracket over center of frame. Attach to wall through center hole of bracket.

(If securing to dry wall, place a thin wood blocker between wall and bracket.)

FLOOR MOUNT FOR SINGLE & DOUBLE SIDED UNITS



Position bracket on inside of panel along the floor. Center the bracket on the panel and secure to floor. Attach bracket to unit through slats using two wood screws.