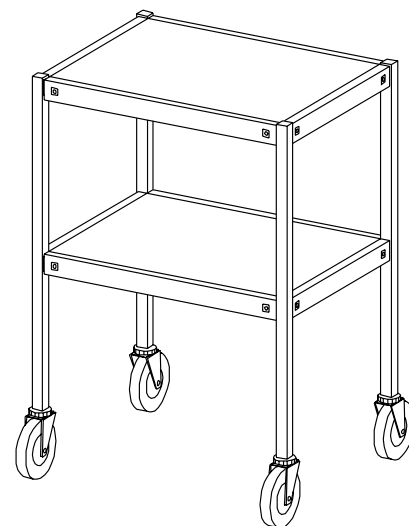


# MP26 MP30 MP34 MP42 F700

## AUDIO VISUAL CARTS

### Assembly Instructions



#### PARTS LIST

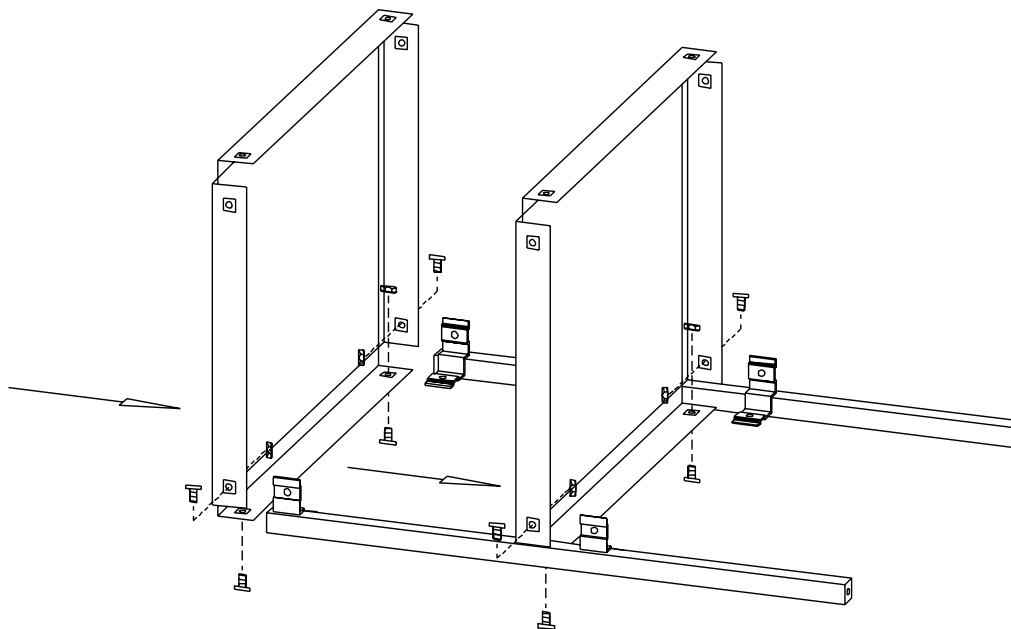
Qty	Part#	Description
4	022-0631	Leg Assemblies for MP26
4	022-0632	Leg Assemblies for MP34
4	022-0633	Leg Assemblies for MP42
4	022-0497	Leg Assemblies for MP30 & F700
2	010-0958	18" x 20" Shelves
2	010-1105	20" x 30" Shelves for MP30 Only
2	015-0002	4" Casters w/o Lock
2	015-0003	4" Casters w/ Lock
4	015-0029	2" Casters for F700 Only

#### HARDWARE LIST

Ref	Qty	Part#	Description
AA	16	030-0300	5/8" Square Head Bolt
BB	16	030-0002	5/16-18 Serrated Nut
	1	010-1106	Hex Wrench

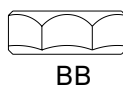
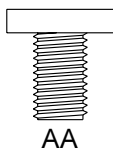
#### TOOLS REQUIRED

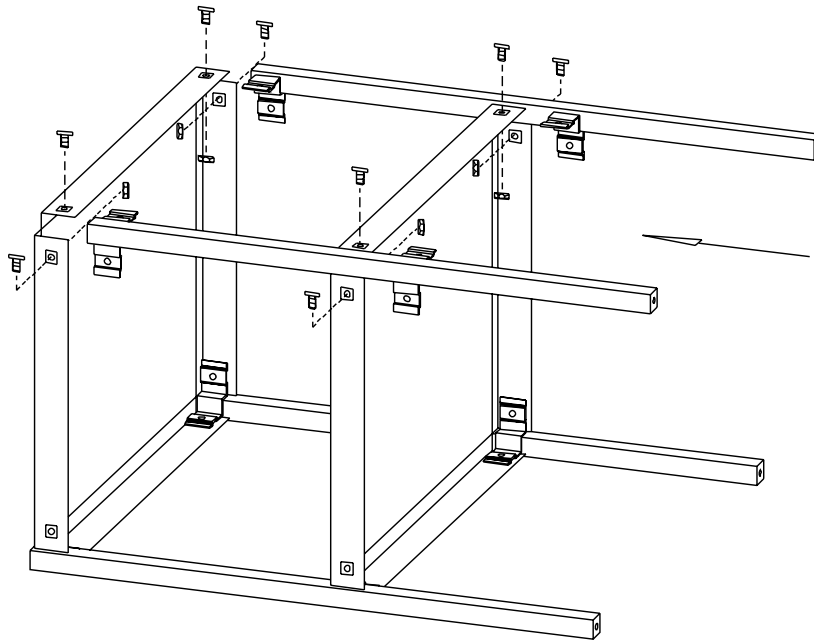
Hex Wrench (Provided)  
Rubber Mallet



#### STEP 1

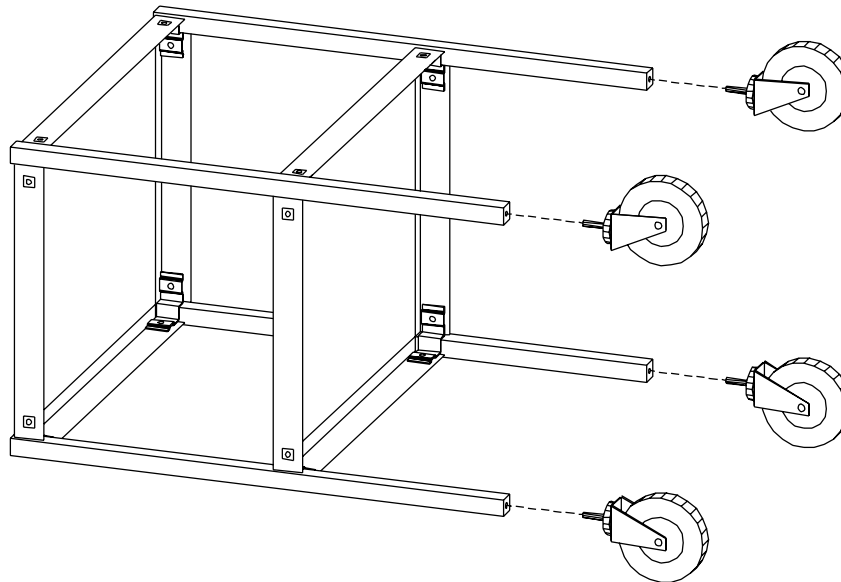
Position two legs on a carpeted surface with brackets facing up and in as shown. Slide each shelf onto the legs making sure the brackets are the inside edge of the shelf. **LOOSELY** attach the shelves to the legs with bolts (AA) and nuts (BB) as shown.





## STEP 2

Slide the two remaining legs onto the shelves so that the brackets are on the inside edge of the shelves. Attach with bolts (AA) and nuts (BB) as shown. **TIGHTEN ALL HARDWARE.**



## STEP 3

Push each caster into the bottom of each leg. If casters do not insert easily, use a rubber mallet to tap each caster into place. Once casters are **SECURELY** in place stand unit upright.

**Bretford**  
 11000 Seymour Avenue  
 Franklin Park, IL 60131  
 TEL: 847.678.2545  
 800.521.9614  
 FAX: 847.678.0852  
 800.343.1779

**Bretford Ltd.**  
 Technology House  
 7 Lake End Court, Taplow  
 Bucks SL6 0JQ England  
 TEL: 01628 603558  
 FAX: 01628 604923