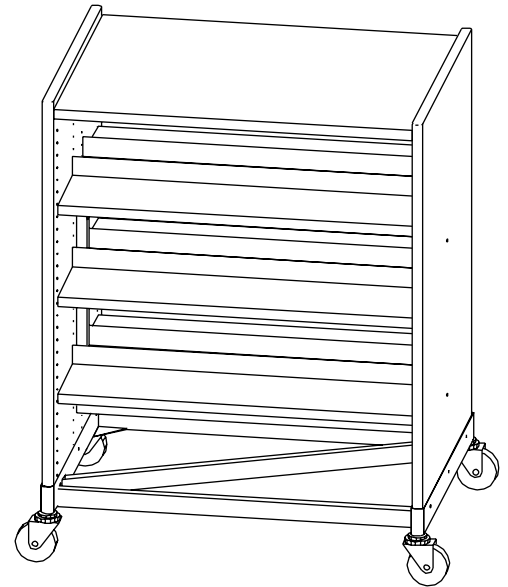




BRETFORD

LEGACY COLLECTION MOBILE SHELVING UNIT Assembly Instructions



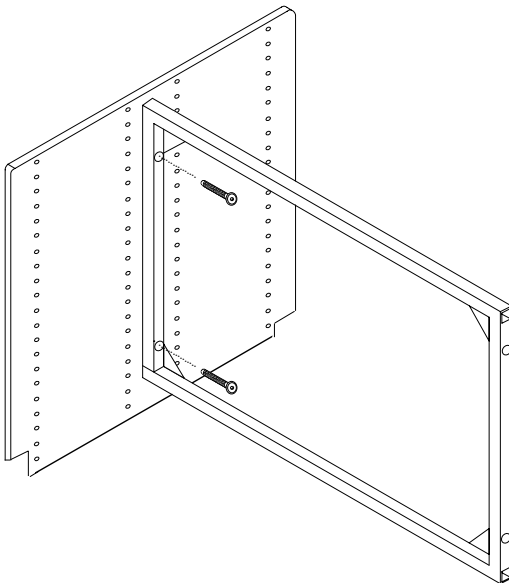
PARTS LIST

Qty	Description
1	Right Side Panel
1	Left Side Panel
1	Steel Frame 42" Units (2 for 60" Units)
1	Wood Top Shelf
1	Steel Mobile Base
6	Flat Steel Shelves 42" Units (10 for 60" Units)
2	4" Casters w/ Lock
2	4" Casters w/o Lock

HARDWARE LIST

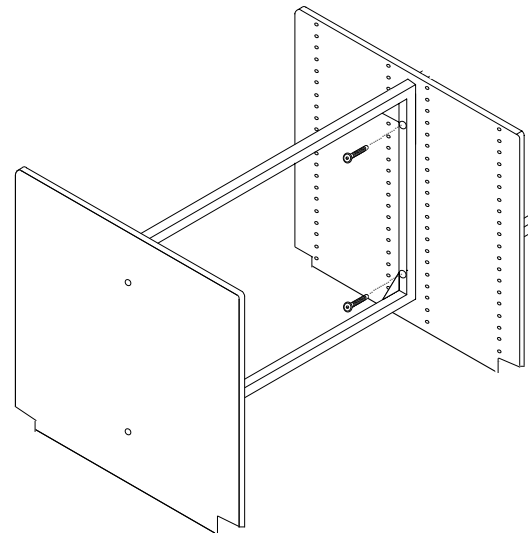
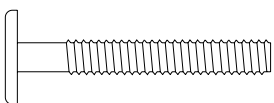
Qty	Description
4	45mm - 1/4-20 Joint Bolts (8 for 60" Units)
8	RaFix Connecting Bolts
6	37.5mm - 1/4-20 Joint Bolts
6	1/4-20 Serrated Nuts
24	Collar Pins (40 for 60" Units)
1	Hex Key

USE THESE INSTRUCTION FOR THE ENTIRE ASSEMBLY OF YOUR MOBILE SHELVING UNIT. DISREGARD ANY OTHER INSTRUCTIONS YOU MAY RECEIVE.



STEP 1

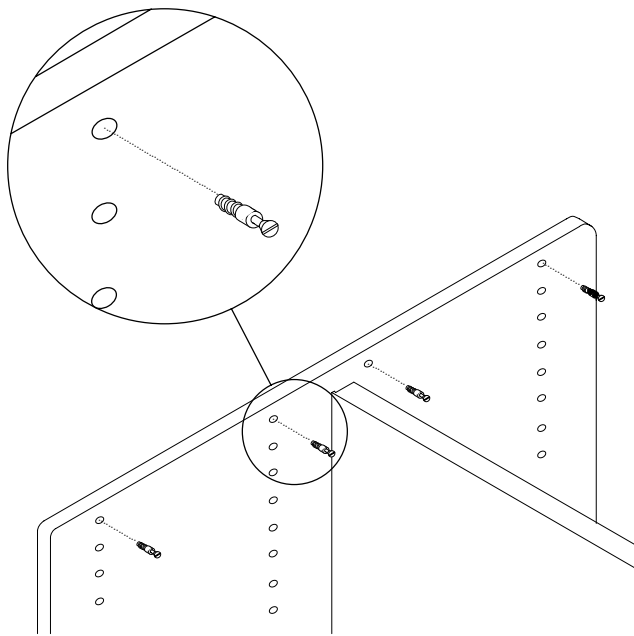
Attach the steel frame to the left side panel (holes facing in) with the 45mm joint bolts as shown.



STEP 2

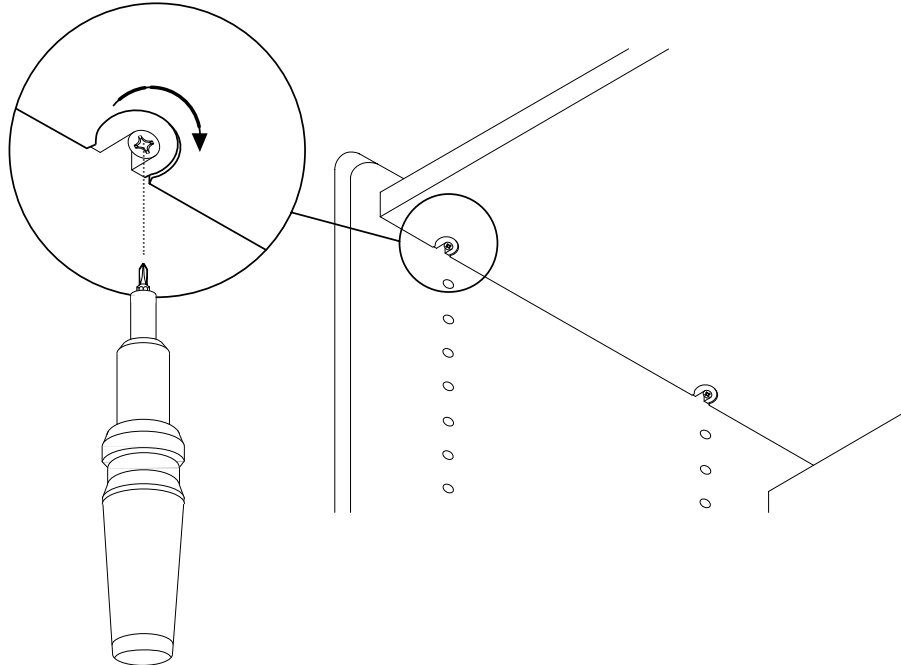
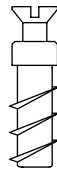
Attach the right side panel to the steel frame with the 45mm joint bolts as shown.

NOTE: The 60" units have 2 steel frames. Attach them in the same manner as steps 1 & 2. One frame attaches to the upper half of the side panels and the other attaches to the lower half.



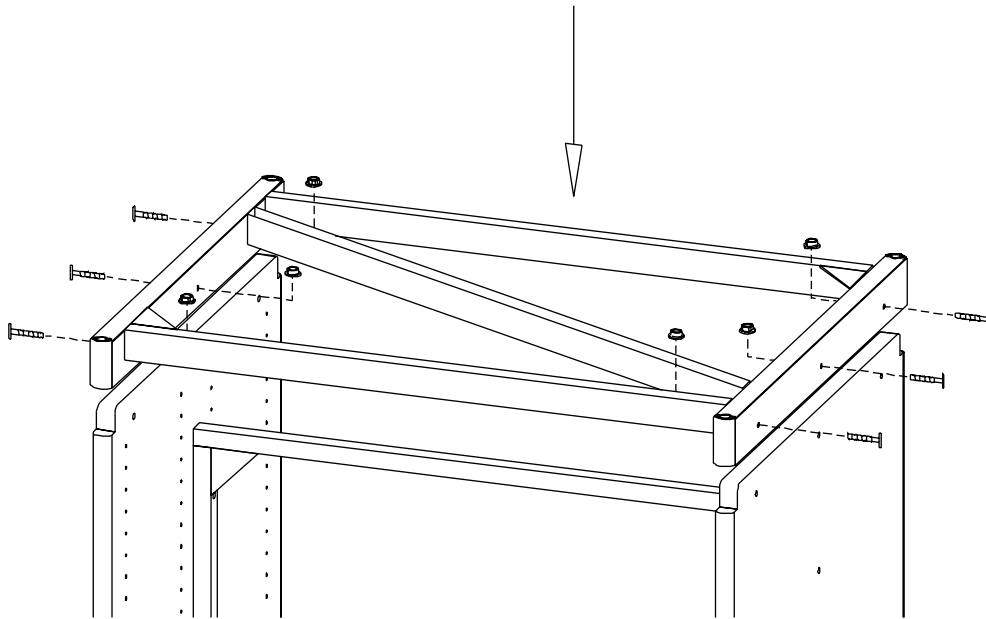
STEP 3

Insert the RaFix pins into the top holes of each side panel as shown.



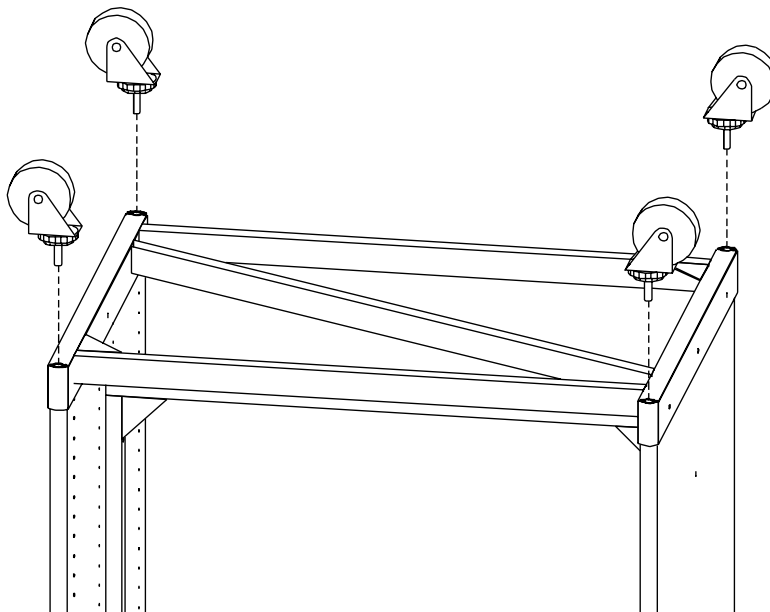
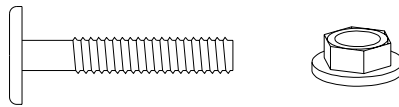
STEP 4

Lower the wood top shelf onto the pins and tighten the cam locks to secure shelf in place.



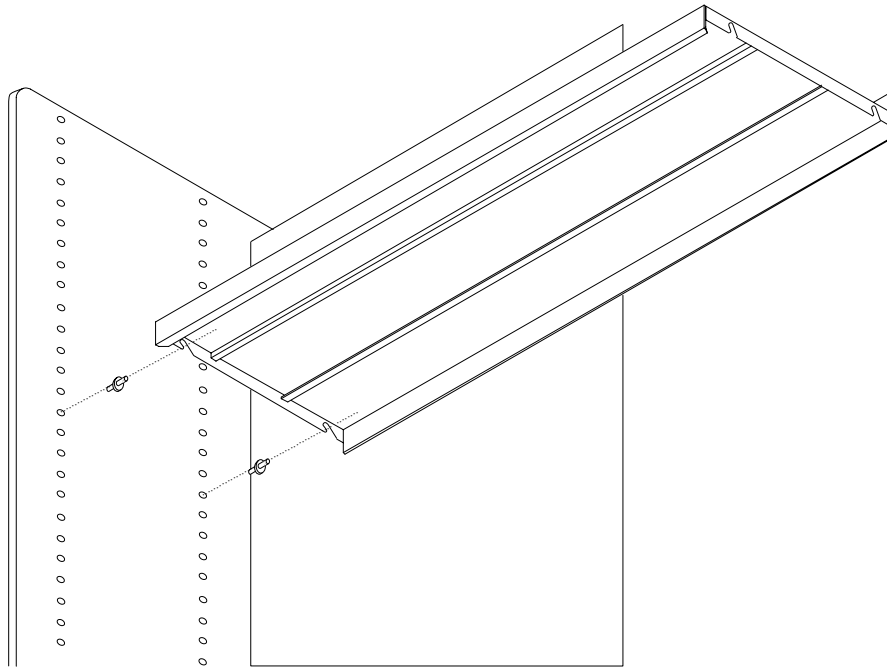
STEP 5

CAREFULLY turn unit over. Place base onto the side panels. Secure together with 37.5mm joint bolts and 1/4-20 nuts as shown.



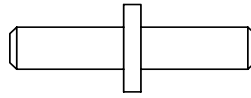
STEP 6

Push each caster into the base. If casters do not push in easily, use a rubber mallet to tap casters into place. Once casters are **SECURELY** in place stand unit upright.



STEP 7

Insert shelf pins into holes in the side panels at your desired location.
Slide shelf on and back it onto the pins.



Bretford
11000 Seymour Avenue
Franklin Park, IL 60131
TEL: 847.678.2545
800.521.9614
FAX: 847.678.0852
800.343.1779

Bretford Ltd.
Technology House
7 Lake End Court, Taplow
Bucks SL6 0JQ England
TEL: 01628 603558
FAX: 01628 604923

www.bretford.com

Part#031-2475
Rev. 07.19.06 CZ