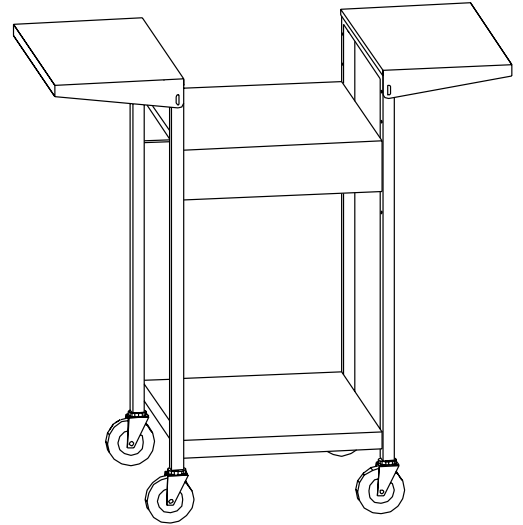




# BRETFORD

## OH39 Overhead Projector Cart Assembly Instructions



### PARTS LIST

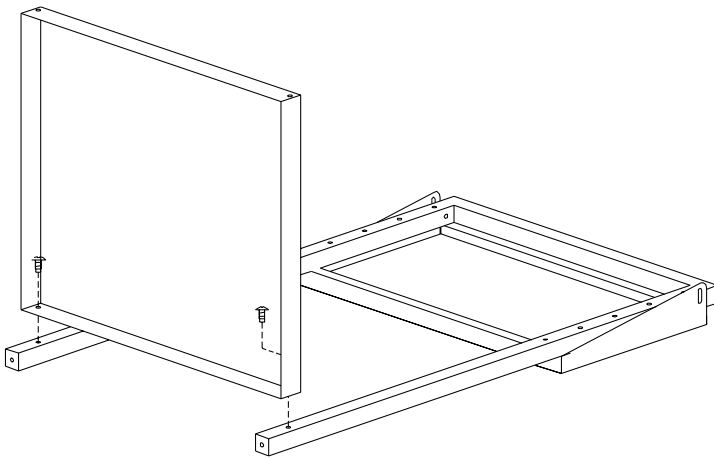
Qty	Part#	Description
1	010-2010	Projector Shelf
1	010-2080	Bottom Shelf
2	017-0465	Leg Assemblies w/ Drop Leaf Shelf
2	015-0002	4" Casters w/o Lock
2	015-0003	4" Casters w/ Lock
<b>OR</b>		
2	015-0017	5" Casters w/o Lock
2	015-0018	5" Casters w/ Lock

### HARDWARE LIST

Qty	Part#	Description
12	030-0325	1/4-20 x 1/2" Combo Truss Screws

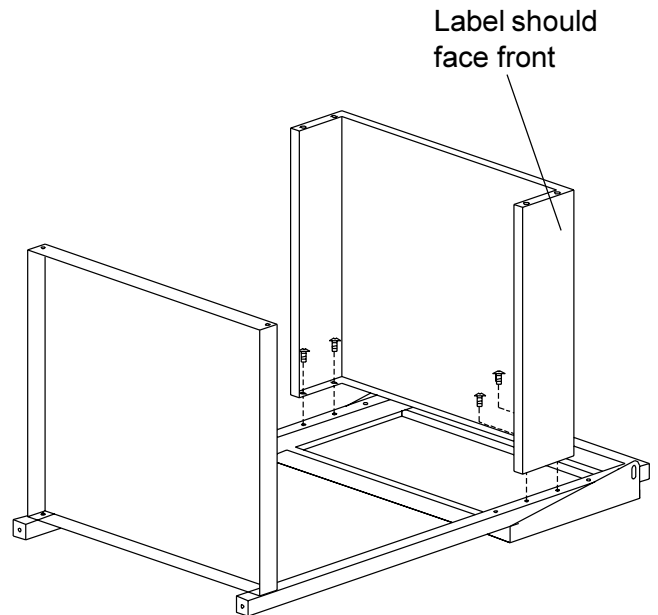
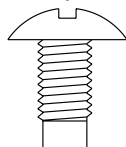
### TOOLS REQUIRED

Phillips Screwdriver



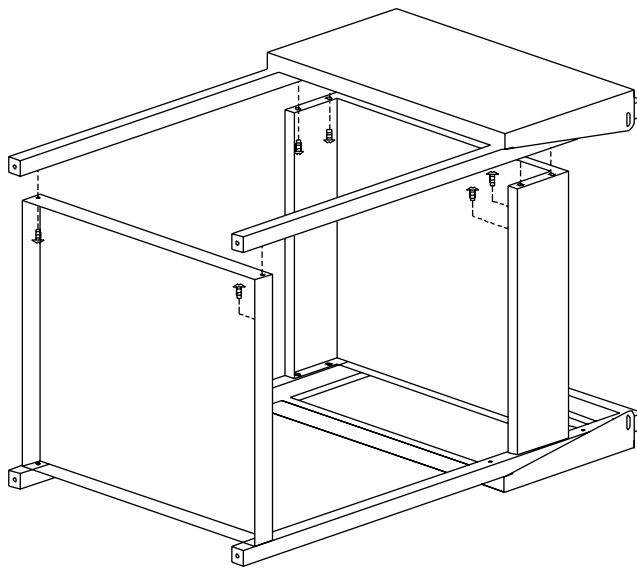
#### STEP 1

Lay one leg assembly on a carpeted surface with holes facing up. Attach the bottom shelf to the leg assembly with screws provided as shown.



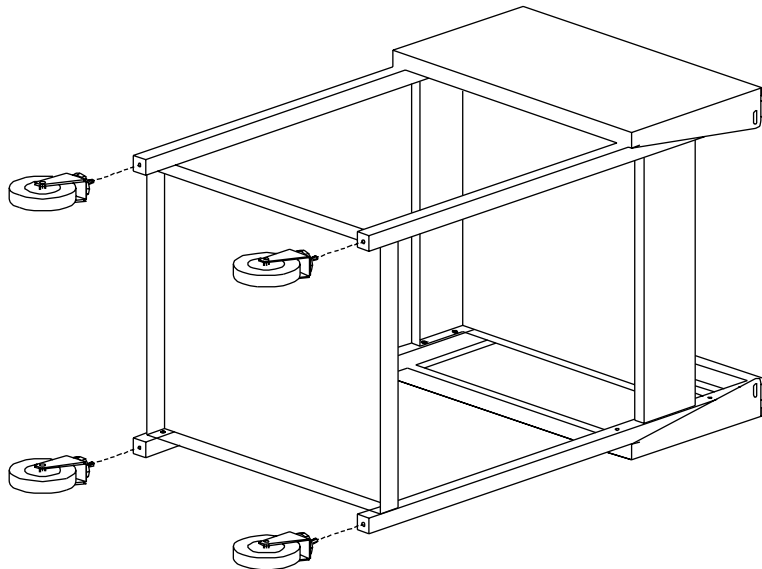
#### STEP 2

Attach the projector shelf (label facing front) to the leg assembly with screws provided as shown. **NOTE:** The projector shelf has adjustable heights of 29-37 3/4" in 4 increments.



### STEP 3

Position the other leg assembly onto the shelves and secure together with screws provided.



### STEP 4

Push each caster (locking casters go in front) into the bottom of each leg assembly. If casters do not insert easily, use a rubber mallet to tap each caster in place. Once casters are **SECURELY** seated in each leg, stand unit upright.

**NOTE:** To open the drop leaf panels on the leg assemblies, simply swing it out from the bottom until the slot "locks" over the rivet. To lower, lift up on the panel until it releases and then fold it down against the leg assembly. If optional E Unit is purchased, attach it to the rear of the projector shelf with hardware enclosed.

**Bretford**  
 11000 Seymour Avenue  
 Franklin Park, IL 60131  
 TEL: 847.678.2545  
 800.521.9614  
 FAX: 847.678.0852  
 800.343.1779

**Bretford Ltd.**  
 Technology House  
 7 Lake End Court, Taplow  
 Bucks SL6 0JQ England  
 TEL: 01628 603558  
 FAX: 01628 604923

[www.bretford.com](http://www.bretford.com)

Part #031-1368  
 Rev. 02.19.97 CH