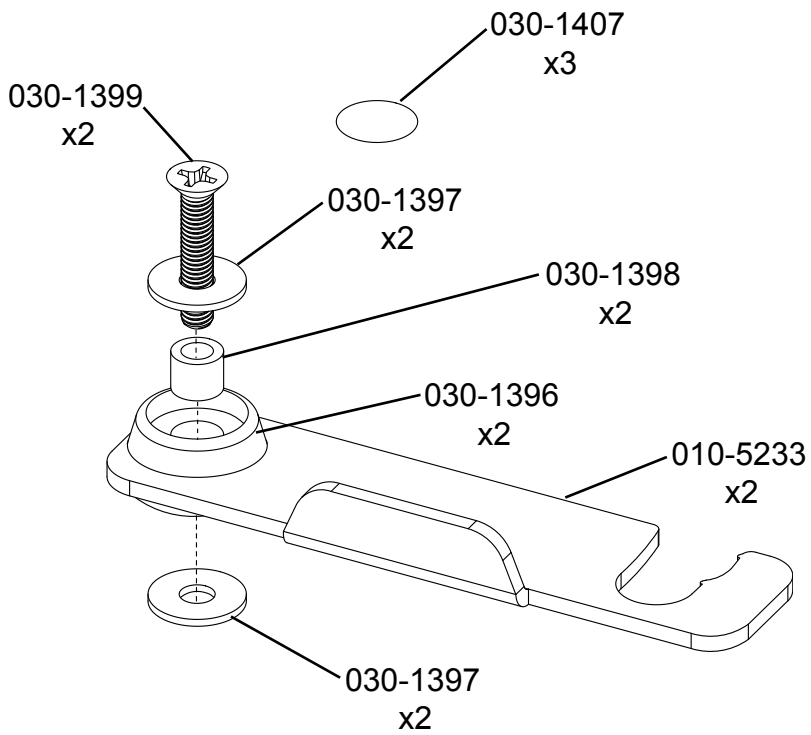


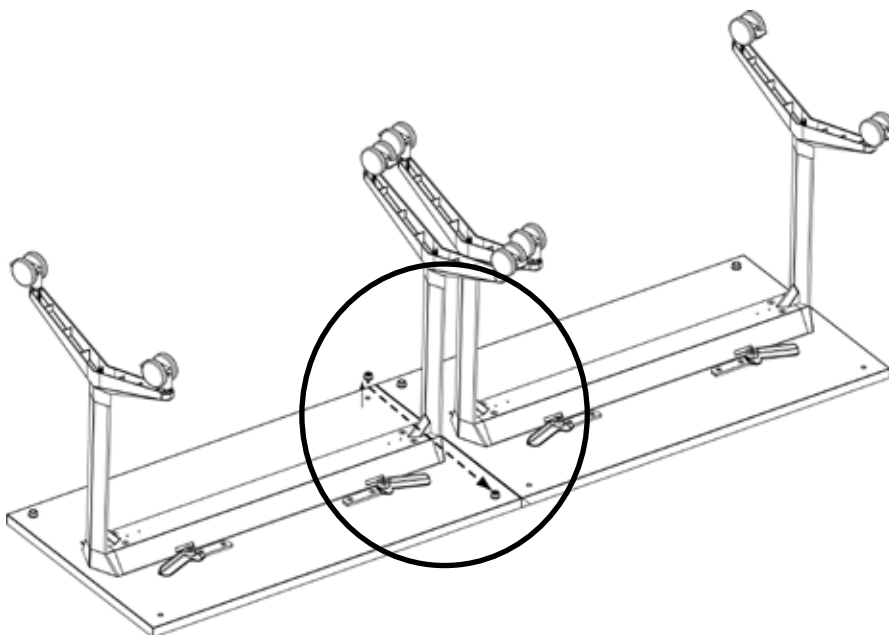
PRMGANG - Ganging Clip

Assembly Instructions



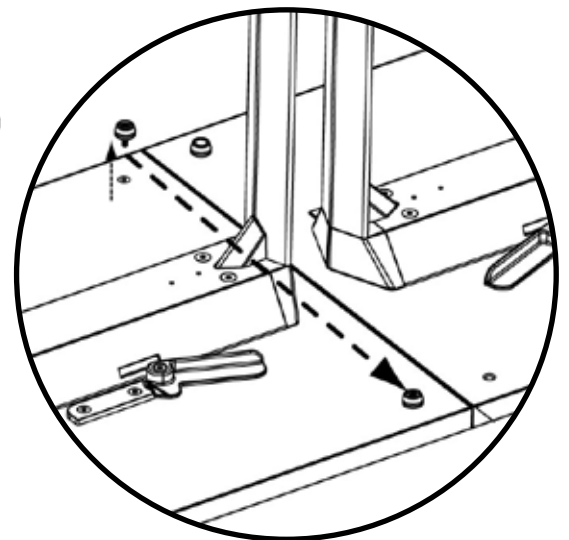
1

Assembly parts together. Except for the white plastic screw cap 030-1407.



2

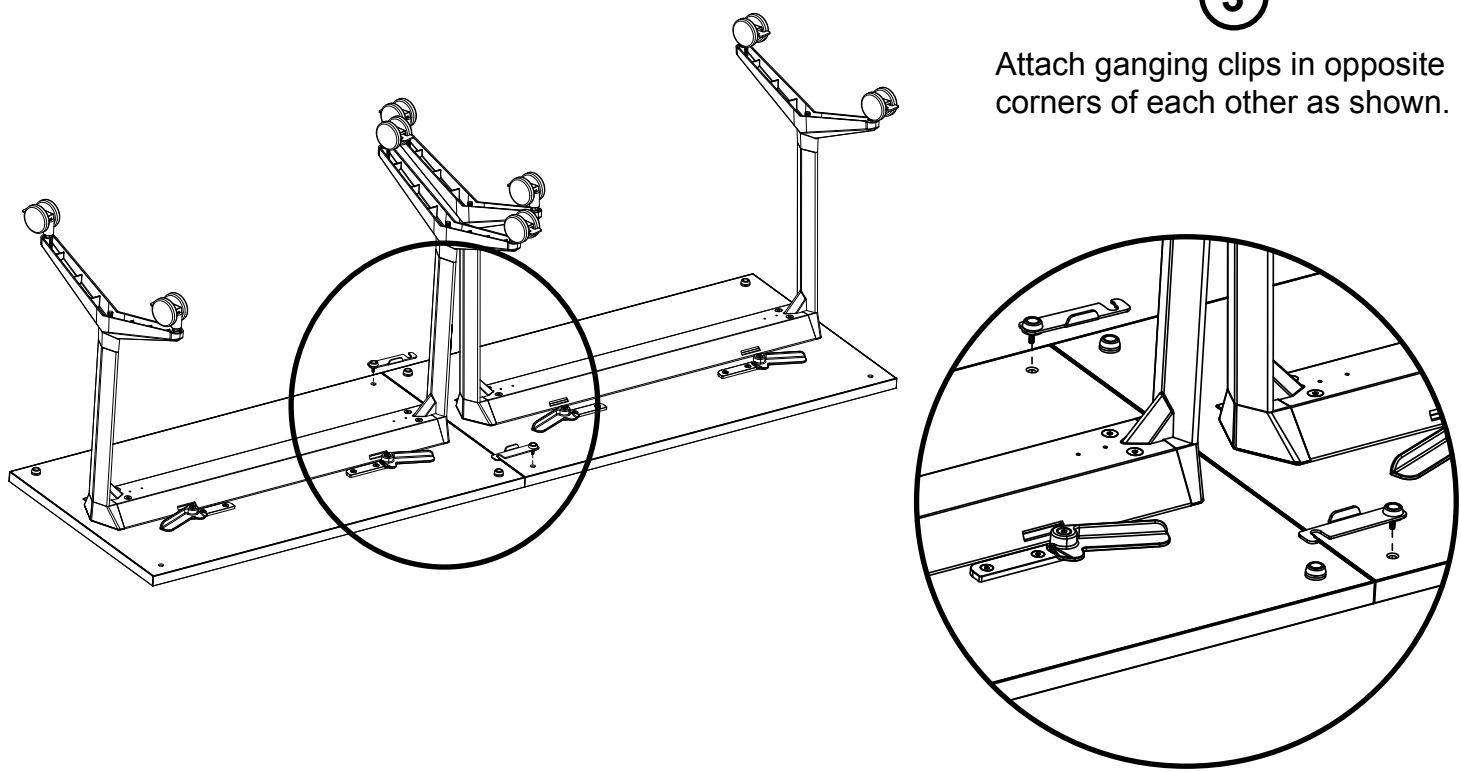
Remove and attach bumper in corner directly below as shown.



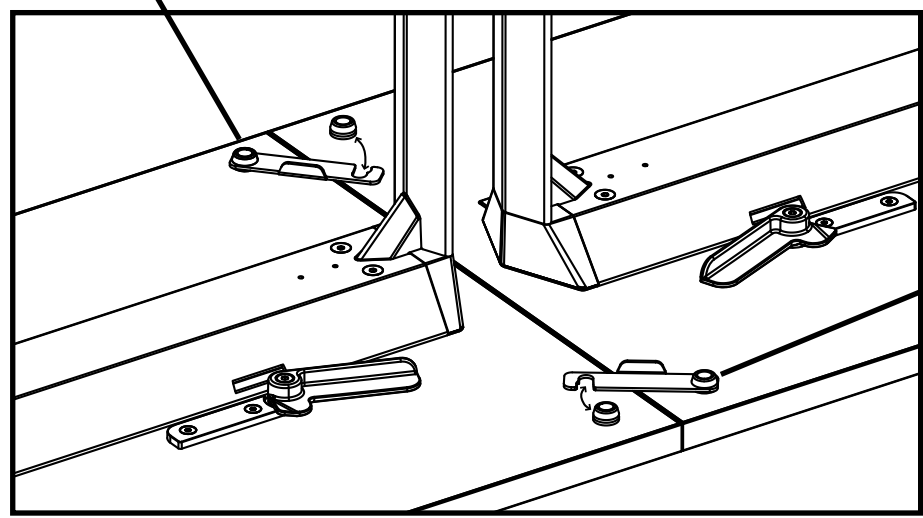
**NOTE:** All assembly steps are shown with tables upside down for clarity. You should work with the table flipped up.

3

Attach ganging clips in opposite corners of each other as shown.



Install white screw cap cover.



Install white screw cap cover.

Open and close ganging clips by simply sliding the clip on and off the bumpers.

Bretford  
 11000 Seymour Avenue  
 Franklin Park, IL 60131  
 TEL: 847.678.2545  
 800.521.9614  
 FAX: 847.678.0852  
 800.343.1779

Bretford Ltd.  
 2 Etongate  
 110 Windsor Road, Slough  
 Berkshire SL1 2JA England  
 TEL: 011 44 17 5353 9955  
 FAX: 011 44 17 5353 9478

www.bretford.com