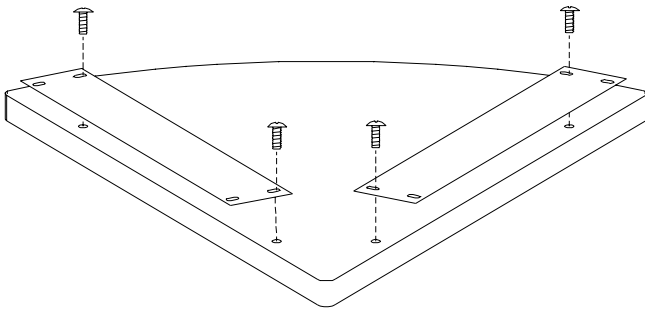




PRESENTATION ENVIRONMENTS®
DEGREE BRIDGES
RADIUS PIE
SADB9030CV, PDB18300W, PRP9024

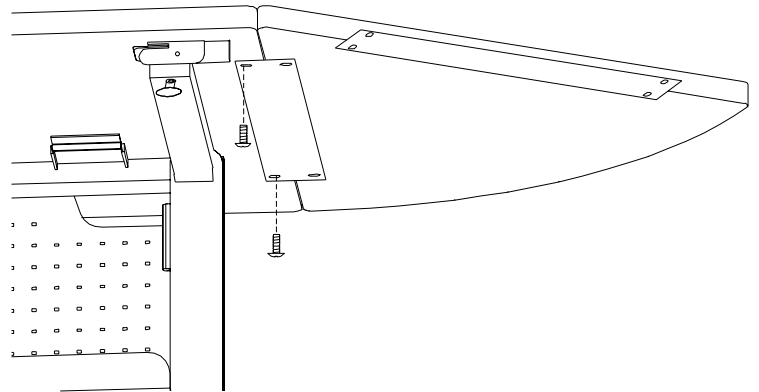
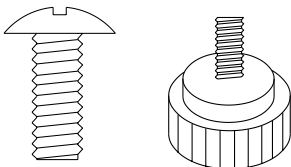
Each Package Includes:

- 1 - Pie or Bridge Section
- 2 - Connecting Brackets
- 8 - 1/4-20 x 5/8" Combo Screws
- 8 - 1/4-20 Knurled Black Knob



STEP 1

LOOSELY attach each connecting bracket to the pie or bridge section using the screws OR knobs.



STEP 2

From underneath, align connecting bracket with the holes in your table. Attach with screws OR knobs. Tighten all screws OR knobs. Attach to another table in the same manner.

NOTE: DO NOT OVER TIGHTEN SCREWS.

WARNING: If using knobs, loosening the knobs after assembly may cause the pie or bridge section to fall to the floor.

Bretford
11000 Seymour Avenue
Franklin Park, IL 60131
TEL: 847.678.2545
800.521.9614
FAX: 847.678.0852
800.343.1779

Bretford Ltd.
Technology House
7 Lake End Court, Taplow
Bucks SL6 0JQ England
TEL: 01628 603558
FAX: 01628 604923

www.bretford.com

Presentation Environments® is a registered trademark of Bretford Manufacturing Inc.

Part #031-2332
Rev. 06.05.00 YP