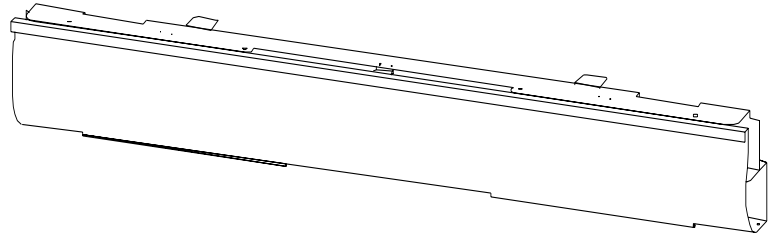




# BRETFORD

## PRESENTATION ENVIRONMENTS®

### PowerTrak® Power/Cable Way and Optional End Caps Assembly Instructions

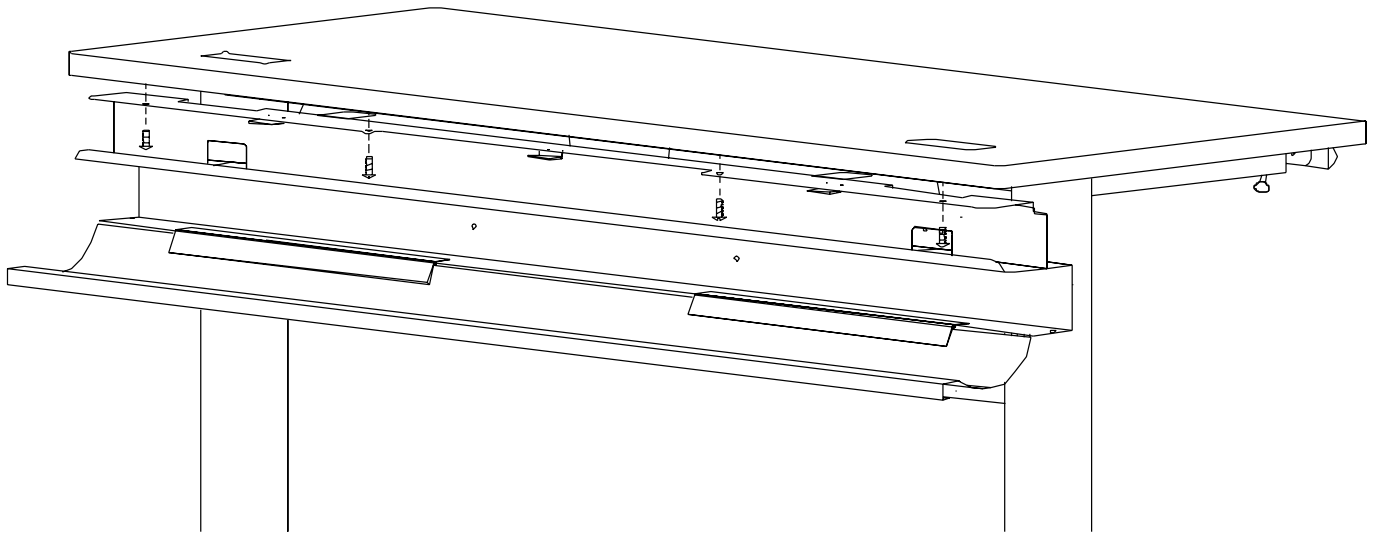


#### PARTS LIST For PowerTrak®

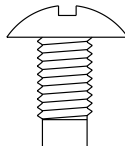
Qty	Description
1	PowerTrak® Assembly
2	Data Clip
8	1/4-20 x 1/2" Combo Truss Screw

#### PARTS LIST For End Caps

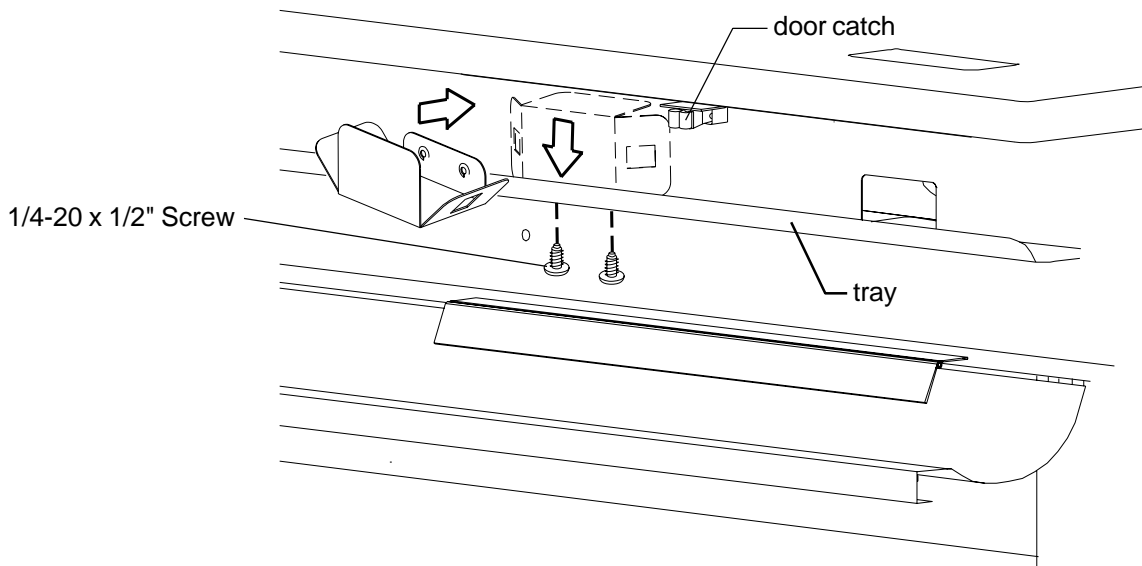
Qty	Description
1	Set of End Caps
2	#10 x 5/8" Wood Screws
2	1/4-20 x 1/2" Combo Truss Screws (This product is sold separately)



Open PowerTrak® door, align the unit with the holes under the back edge of your table as shown. Secure in place with the 1/4-20 x 1/2" screws.



1/4-20 x 1/2" Screw

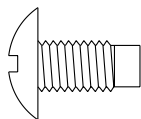


Install the data clips as follows:

Tilt the clip as shown to insert the clip into the tray of the PowerTrak®.

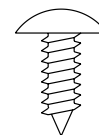
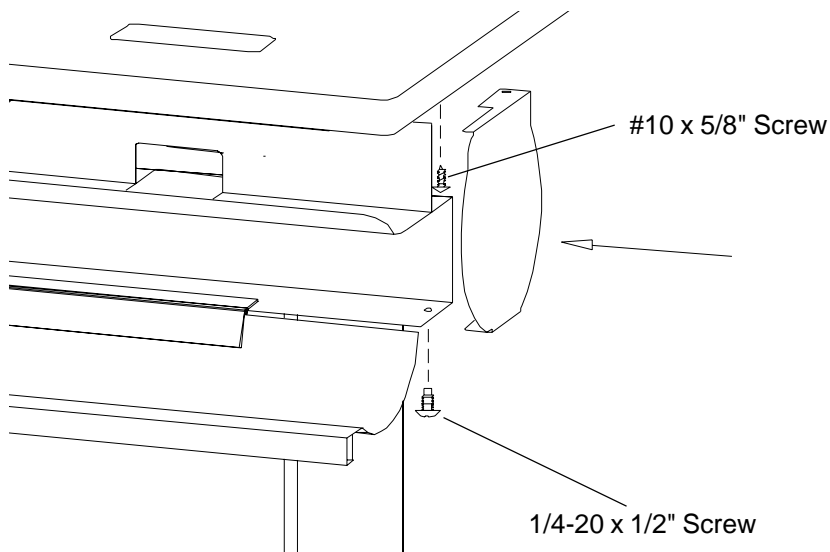
Tilt the data clips top flange forward (toward the back wall) and slid the clip down into position over the mounting holes on the tray (just to the inside of the door catches).

Install 1/4-20 x 1/2" screws to secure data clip to tray.

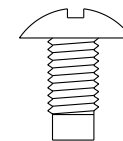


1/4-20 x 1/2" Screw

## ASSEMBLY INSTRUCTIONS FOR OPTIONAL END CAPS



#10 x 5/8" Screw



1/4-20 x 1/2" Screw

Open PowerTrak® door, position end cap as shown. Attach the end cap to wood top using the #10 x 1/2" screws and attach the end cap to the PowerTrak® with the 1/4-20 x 1/2" screws as indicated above.

**Bretford**  
 11000 Seymour Avenue  
 Franklin Park, IL 60131  
 TEL: 847.678.2545  
 800.521.9614  
 FAX: 847.678.0852  
 800.343.1779

**Bretford Ltd.**  
 Technology House  
 7 Lake End Court, Taplow  
 Bucks SL6 0JQ England  
 TEL: 01628 603558  
 FAX: 01628 604923

[www.bretford.com](http://www.bretford.com)

Part #031-2957  
 Rev: 02.09.00 BW