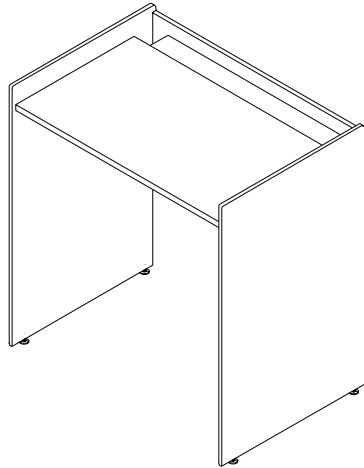


Assembly Instructions

BRETFORD

LEGACY COLLECTION

**PATRON
ACCESS
CARREL**



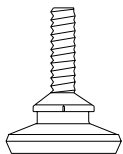
BRETFORD

PARTS LIST

REF	QTY	DESCRIPTION
X	1	Back Panel
Y	2	Shelf Supports
Z	1	Shelf
A13	1	Right Panel
A14	1	Left Panel
A15	1	Tray Cover
A16	1	Small Cable Tray
A17	1	Large Cable Tray
A18	1	Lock Hardware

HARDWARE LIST

REF	QTY	DESCRIPTION
AA	4	Levelers
FF	4	Mod'eez pins
HH	4	10 x 5/8" Pan Hd Wood Screw
MM	4	1/4-20 x 1/2" Machine Screw



AA



FF

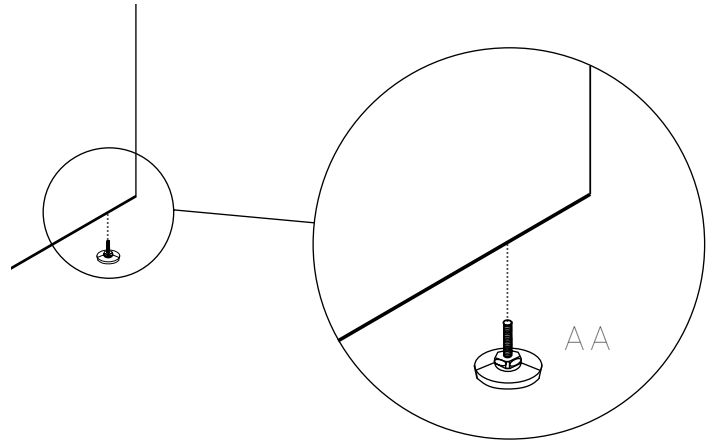


HH



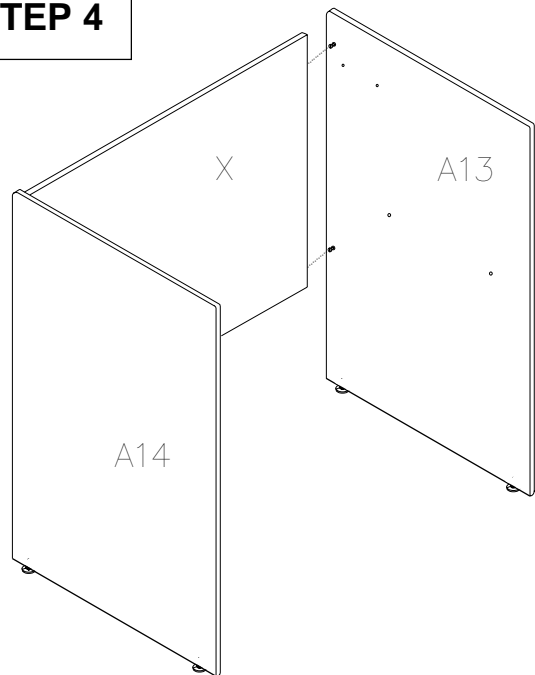
MM

STEP 1



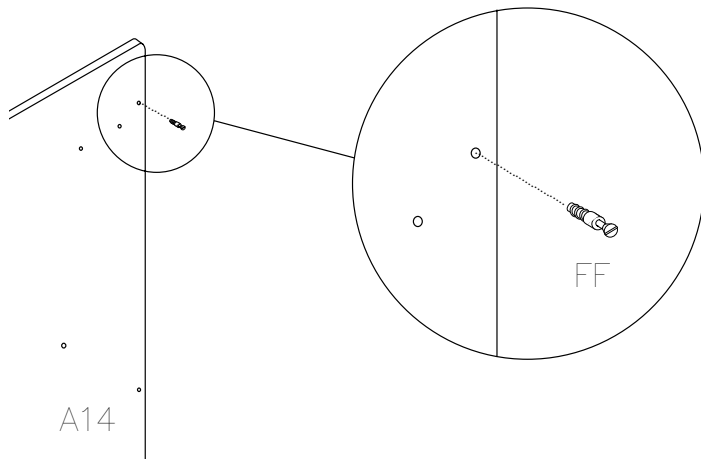
Fully install levelers (AA) on the bottom of each Leg.

STEP 4



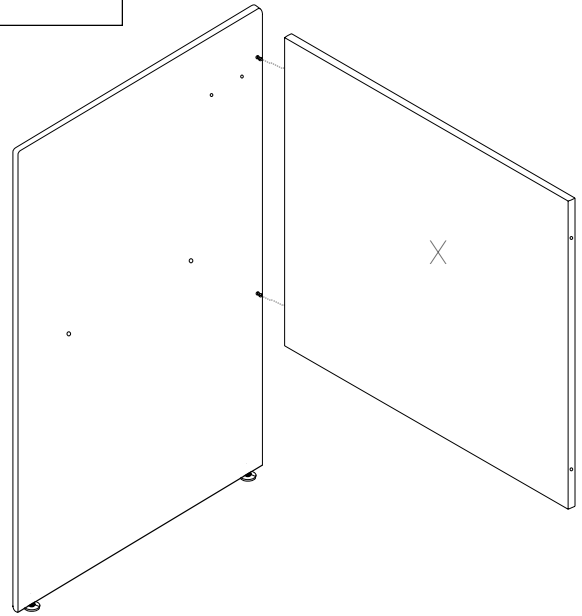
Attach the right panel (A13) to the back panel in the same manner. Next pound panel (X) down with rubber mallet.

STEP 2



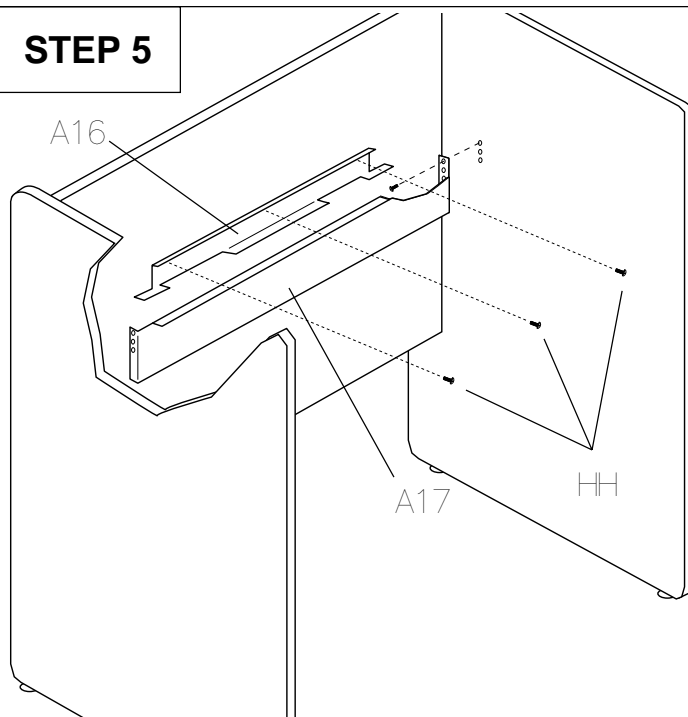
Insert Mod'eez pins (FF) into the right and left side panels (A13,A14) as shown.

STEP 3



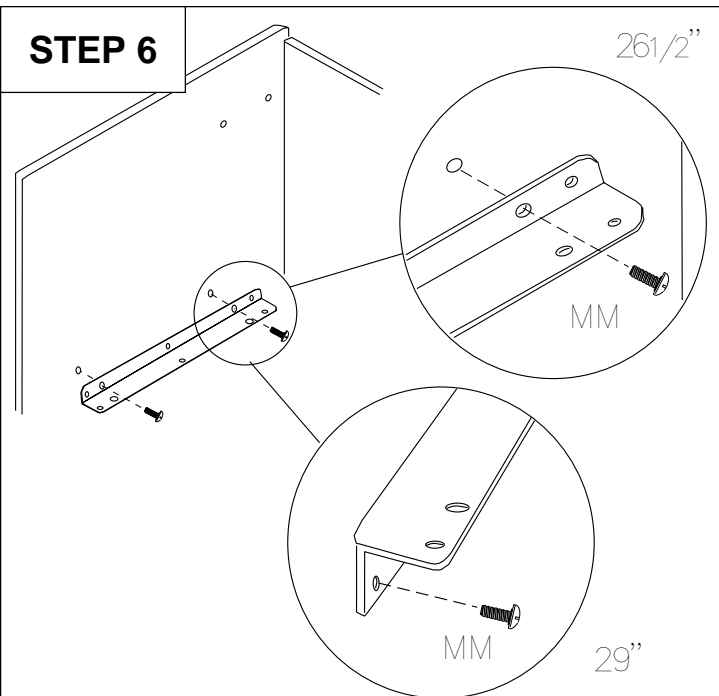
Attach Back Panel (X) to Left Side Panel.

STEP 5



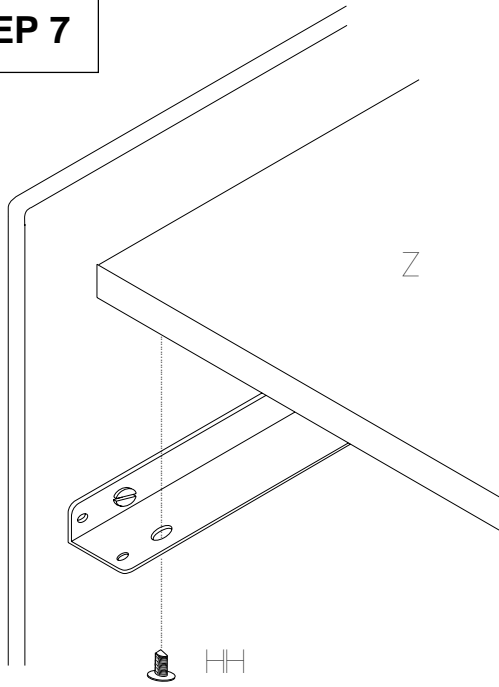
Attach small cable management tray (A16) to back panel (X) using wood screws (HH). Attach large cable management tray (A17) to side panels using same hardware.

STEP 6



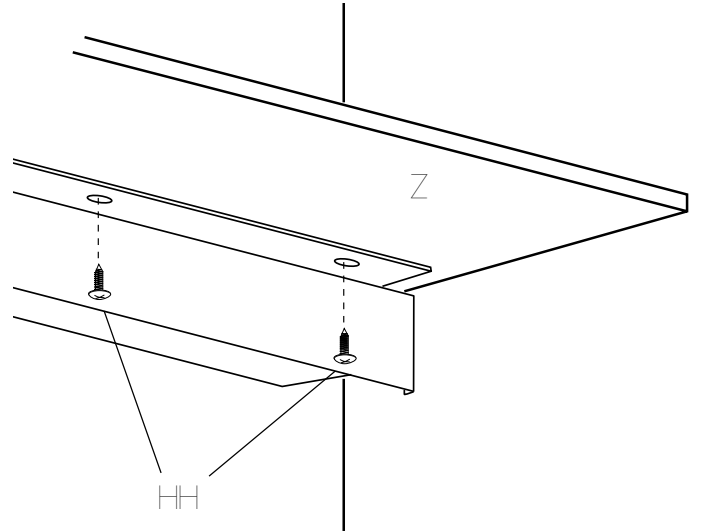
Attach shelf supports (Y) to the side panels using metal screws (MM). Mount bracket according to height desired (26 1/2" or 29").

STEP 7



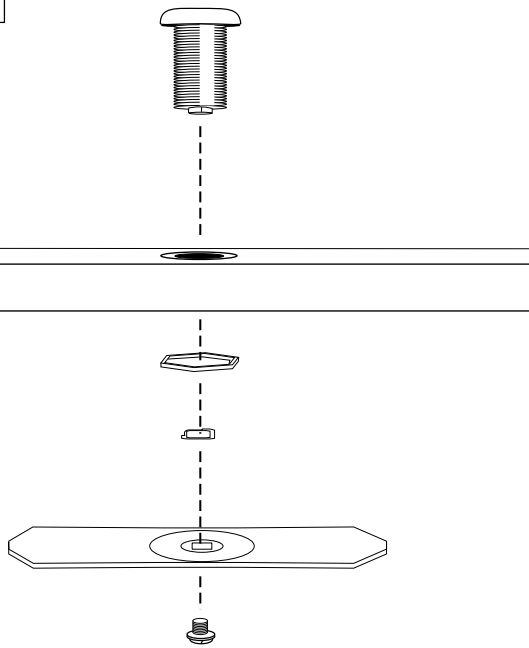
Attach the shelf (Z) to the supports using four wood screws (HH).

STEP 8



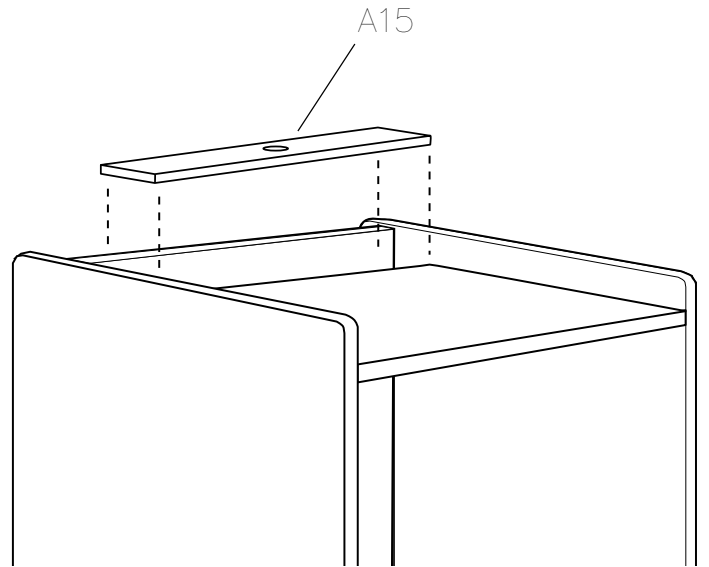
Attach large cable management tray to underside of shelf (Z) using wood screws (HH).

STEP 9



Attach Lock hardware (A18) to Cover (A15). Insert lock from top into recessed hole. Attach from bottom: washer, 90° tumbler washer, lock bar, and secure assembly with pan head screw.

STEP 10



Lower Bin Cover into place behind worksurface and lock to steel lip.

Bretford
11000 Seymour Avenue
Franklin Park, IL 60131
TEL: 847.678.2545
800.521.9614
FAX: 847.678.0852
800.343.1779

Bretford Ltd.
Technology House
7 Lake End Court, Taplow
Bucks SL6 0JQ England
TEL: 01628 603558
FAX: 01628 604923

www.bretford.com

Part# A11020
Rev. 6.95 CH