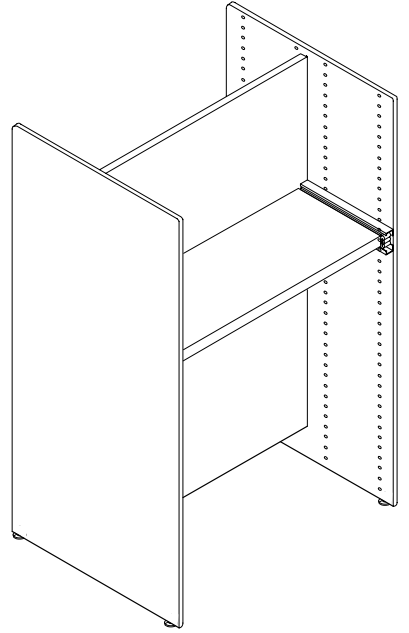




# BRETFORD

## LEGACY COLLECTION Assembly Instructions

# REFERENCE SHELF

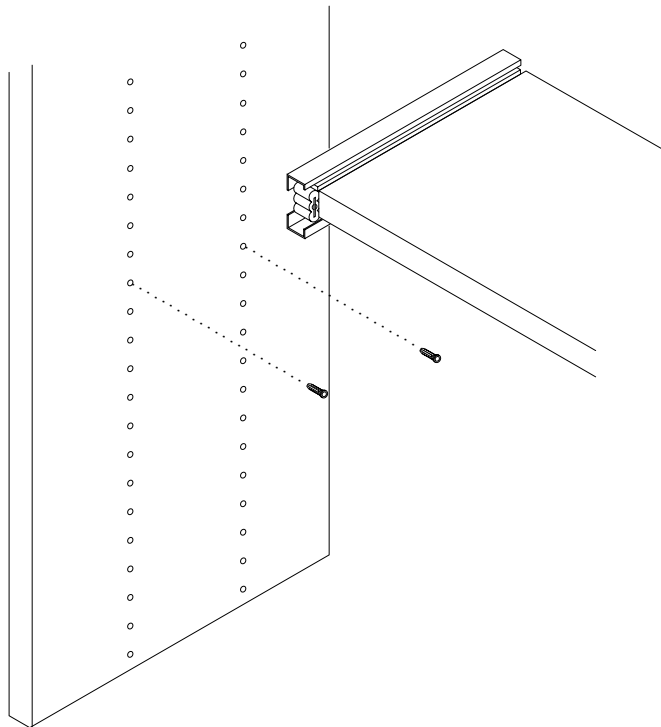


### PARTS LIST

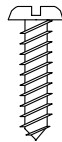
| QTY | DESCRIPTION     |
|-----|-----------------|
| 1   | Reference Shelf |

### HARDWARE LIST

| QTY | PART#    | DESCRIPTION            |
|-----|----------|------------------------|
| 4   | 030-0258 | #12 x 1/2" Wood Screws |



Attach reference shelf at desired height with wood screws as shown.



**Bretford**  
11000 Seymour Avenue  
Franklin Park, IL 60131  
TEL: 847.678.2545  
800.521.9614  
FAX: 847.678.0852  
800.343.1779

**Bretford Ltd.**  
Technology House  
7 Lake End Court, Taplow  
Bucks SL6 0JQ England  
TEL: 01628 603558  
FAX: 01628 604923

[www.bretford.com](http://www.bretford.com)

Part# AI1014  
Rev. 6.95 CH