



BRETFORD

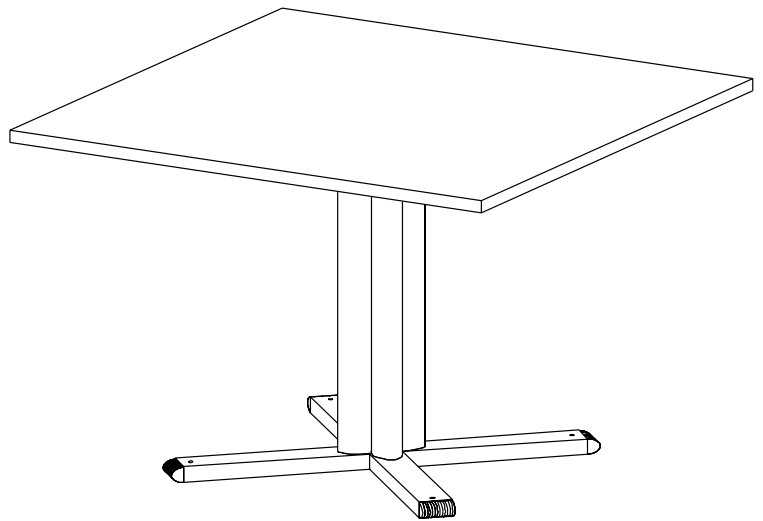
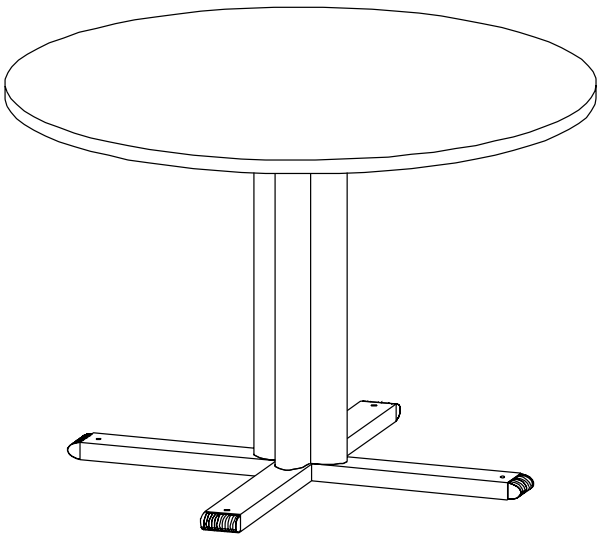
PRESENTATION ENVIRONMENTS®

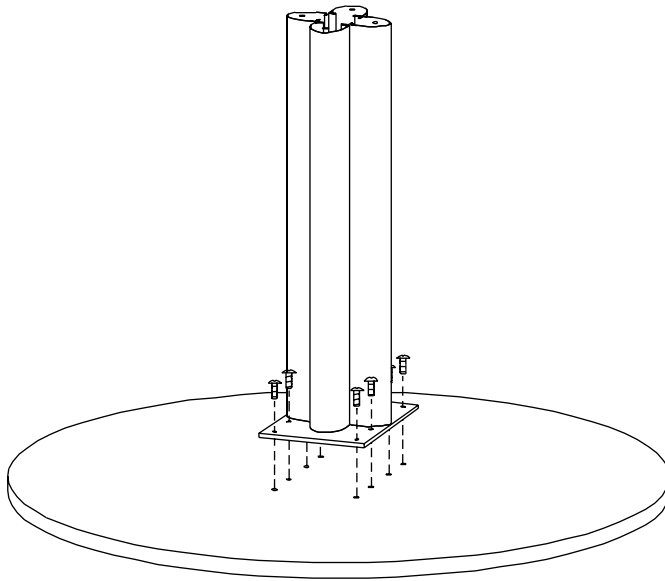
**ROUND AND SQUARE
FIXED LEG TABLES**

Assembly Instructions

PARTS LIST

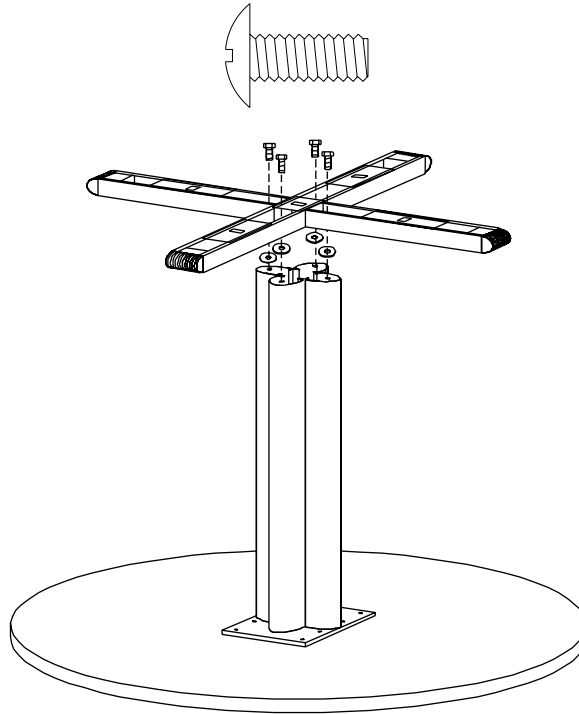
Qty	Description
1	Base Assembly
1	Upright Assembly
1	Wood Top
8	1/4-20 x 5/8" Truss Screws
4	5/16-18 x 5/8" Hex Screws
4	1" Washers





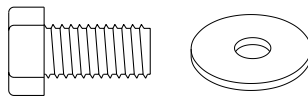
STEP 1

Lay the wood top down with holes facing up. Attach the upright assembly to the top with the 1/4-20 x 5/8" screws as shown.



STEP 2

Attach the base assembly to the upright with the 5/16-18 x 5/8" screws and the 1" washers as shown. Once all pieces are secure, stand unit upright.



Bretford
11000 Seymour Avenue
Franklin Park, IL 60131
TEL: 847.678.2545
800.521.9614
FAX: 847.678.0852
800.343.1779

Bretford Ltd.
Technology House
2 Etongate, 110 Windsor Road
Slough, Berkshire SL1 2JA England
TEL: 01753 53 99 55
FAX: 01753 53 94 78