

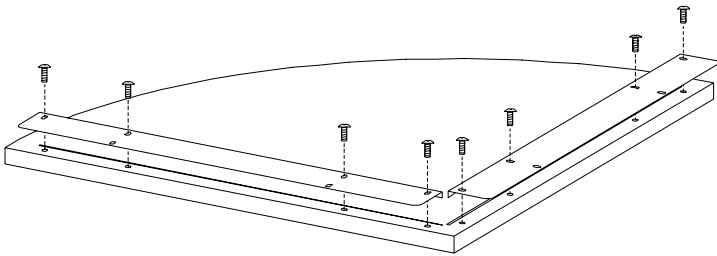


PRESENTATION ENVIRONMENTS®

90 DEGREE 30" PIE

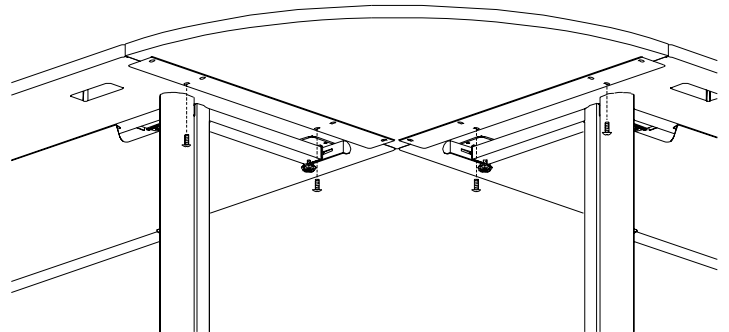
Each Package Contains:

- 1 Wood Top
- 2 Ganging Plates
- 12 1/4-20 x 5/8" Combo Screws
- 12 Black Knurled Knobs



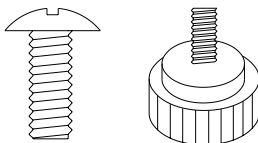
STEP 1

Lay the wood top on a carpeted surface with holes facing up. Attach the ganging plates to the top with **EITHER** the screws or knobs as shown. **NOTE:** Make sure the flange on the ganging plate fits into the slot in the top.



STEP 2

Position the top assembly between the tables you wish to join. Secure (from underneath) in place with **EITHER** the screws or knobs as shown.



NOTE: DO NOT OVER TIGHTEN SCREWS.

WARNING: If using knobs, loosening the knobs after assembly may cause the pie section to fall to the floor.

Bretford
11000 Seymour Avenue
Franklin Park, IL 60131
TEL: 847.678.2545
800.521.9614
FAX: 847.678.0852
800.343.1779

Bretford Ltd.
Technology House
7 Lake End Court, Taplow
Bucks SL6 0JQ England
TEL: 01628 603558
FAX: 01628 604923

www.bretford.com

Part #031-2514
Rev. 07.23.97 CH

Presentation Environments® is a registered trademark of Bretford Manufacturing Inc.