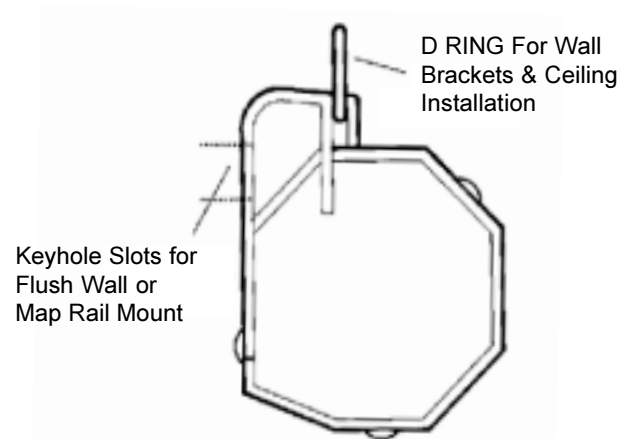




# BRETTFORD™

## Series 65 Screens



### INSTALLATION

Locate your screen where the audience can best see it and where other furnishings in the room permit.

Mount the screen so that the bottom of the fabric, when fully extended, is above the heads of the audience.

### ENDCAP BUILT-IN HANGERS

Your Bretford wall/ceiling screen may be mounted on the wall, map rail, suspended from the ceiling or extension brackets. Wall screens must be mounted level and with the back of the case parallel to the wall.

**FLUSH WALL MOUNTING** - Use the keyhole slot at the back of the endcap hanging bracket for flush wall mounting. Position screws or other fasteners into the wall and hang screen from the slots.

**MAP RAIL MOUNTING** - Use keyhole slots in flat brackets - DO NOT use the "D" rings.

**CEILING HUNG** - Position and properly anchor screws into the ceiling, beam or other solid surface. Use the "D" rings located at the top of the hanging bracket. For drop ceilings, purchase Bretford's 4009 T-Bar hanger.

### OPERATION

To lower the fabric, pull the screen down all the way - Hesitate - then allow the fabric to retract VERY SLOWLY until it locks in place.

To raise the fabric, pull down on the pull ball, then raise quickly, like a window shade. DO NOT allow the fabric to roll uncontrolled into the case or damage is sure to result.

**Bretford**  
11000 Seymour Avenue  
Franklin Park, IL 60131  
TEL: 847.678.2545  
800.521.9614  
FAX: 847.678.0852  
800.343.1779

**Bretford Ltd.**  
Technology House  
2 Etongate, 110 Windsor Road  
Slough, Berkshire SL1 2JA England  
TEL: 01753 53 99 55  
FAX: 01753 53 94 78