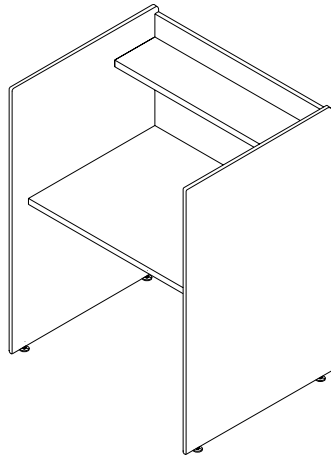


Assembly Instructions

BRETFORD

LEGACY COLLECTION

STUDY CARREL



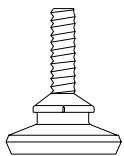
BRETFORD

PARTS LIST

REF	QTY	DESCRIPTION
V	1	Right Panel
W	1	Left Panel
X	1	Back Panel
Y	2	Shelf Supports
Z	1	Shelf
A1	1	Top Shelf

HARDWARE LIST

REF	QTY	DESCRIPTION
AA	4	Levelers
FF	4	MOD-EEZ Post#14 SMT
HH	4	10 x 5/8" Pan Hd Wood Screw
MM	4	1/4-20 x 1/2" Machine Screw
RR	4	Ray-Fix pins



AA



FF



RR

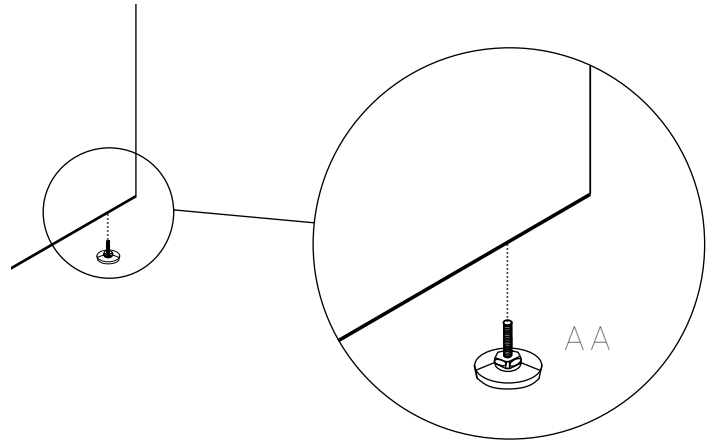


MM



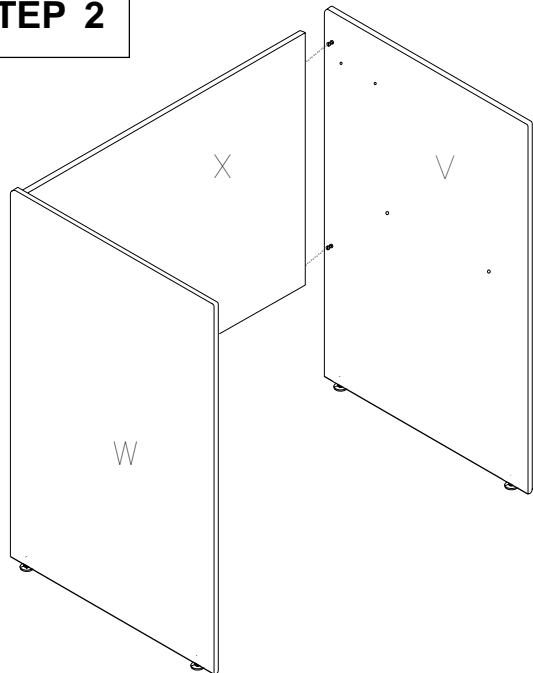
HH

STEP 1



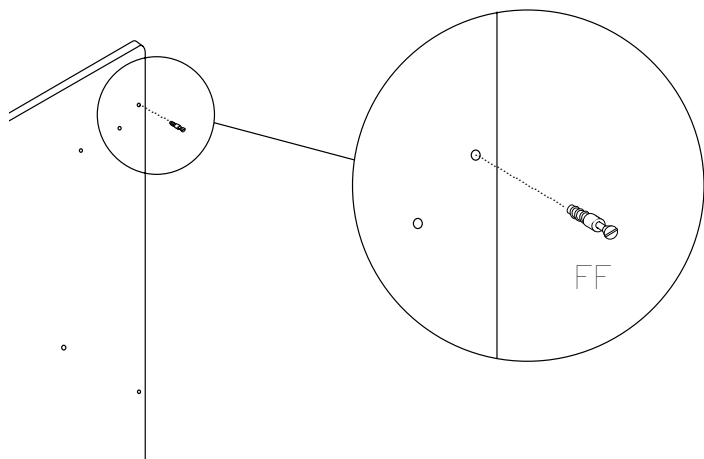
Fully install levelers (AA) on the bottom of each Leg.

STEP 2



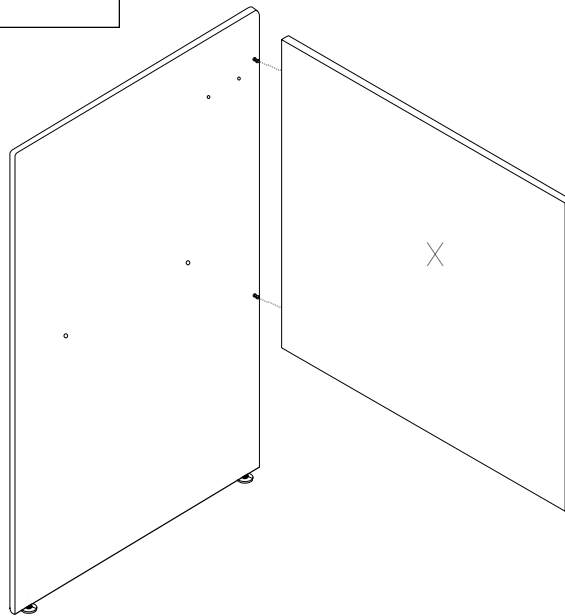
Attach the right panel (V) to the back panel in the same manner.

STEP 3



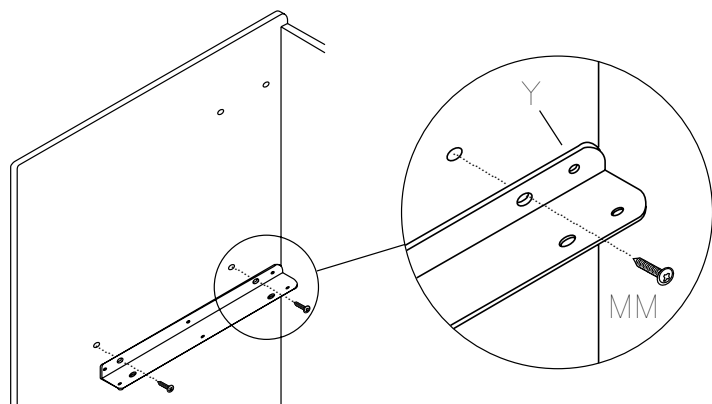
Insert MOD-EEZ Post #14 SMT (FF) into the right and left side panels (V,W) as shown.

STEP 4



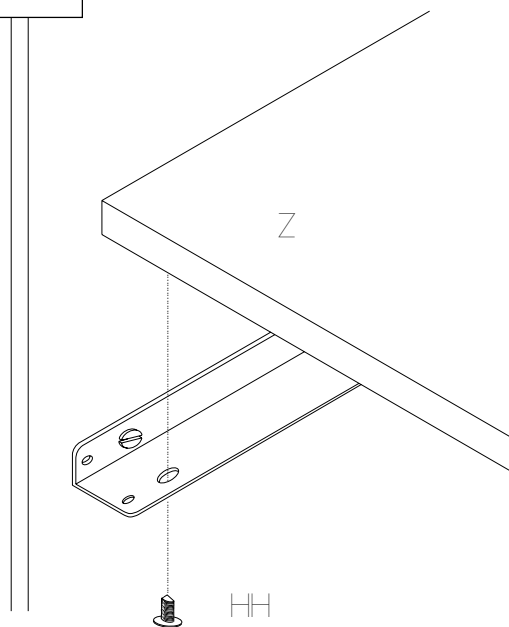
Attach Back Panel (X) to Left Side Panel.

STEP 5



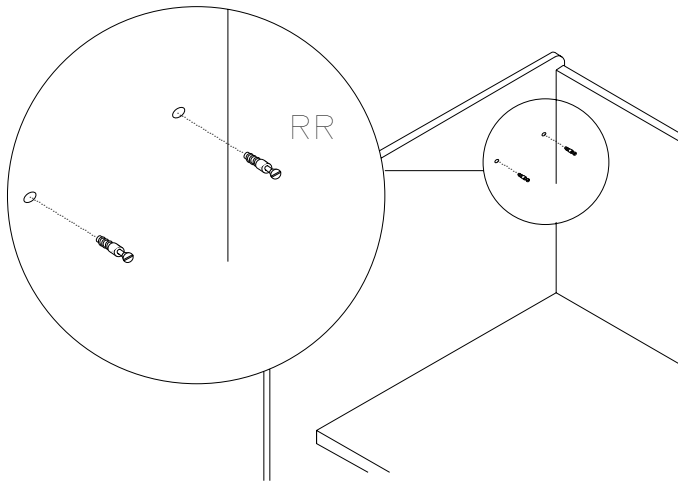
Attach shelf supports (Y) to the side panels using metal screws (MM).

STEP 6



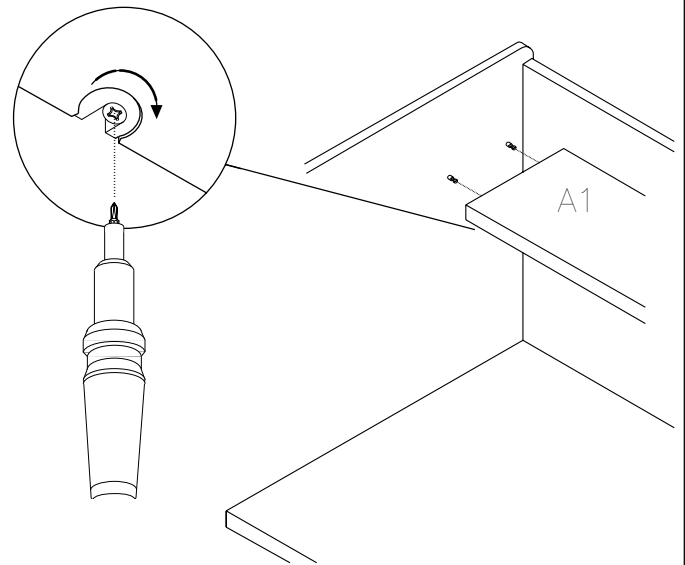
Attach the shelf (Z) to the supports using four wood screws (HH).

STEP 7



Insert Ray-Fix pins (RR) into each side panel as indicated.

STEP 8



Lower the top shelf (A1) over the Ray-Fix pins. Turn clockwise to tighten.

Bretford
11000 Seymour Avenue
Franklin Park, IL 60131
TEL: 847.678.2545
800.521.9614
FAX: 847.678.0852
800.343.1779

Bretford Ltd.
Technology House
7 Lake End Court, Taplow
Bucks SL6 0JQ England
TEL: 01628 603558
FAX: 01628 604923

www.bretford.com

Part #A11018
Rev. 04.26.01 YP