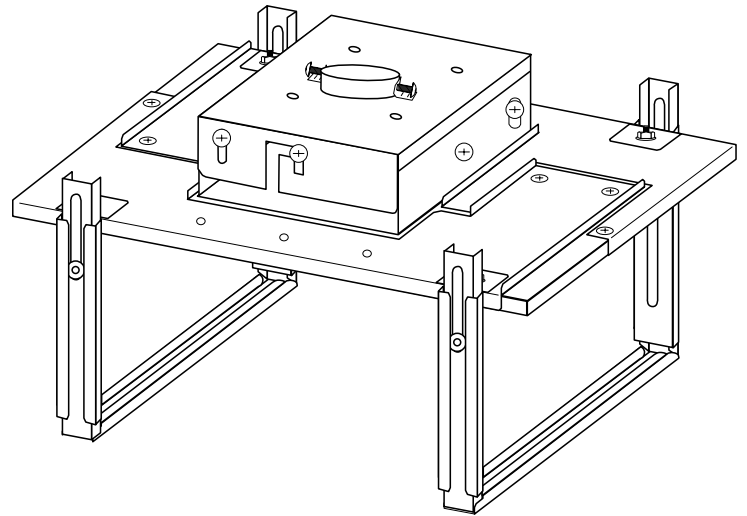


TPMA LCD Projector Mount

Assembly Instructions



PARTS LIST

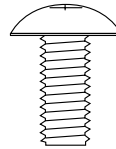
Qty	Part #	Description
1		LCD Top Adjustment Assembly
2		LCD Side Wrap Adjustment Assembly (with short arms - installed)
4	010-3086	LCD Long Side Support Arms
1	010-3091	LCD Mounting Adaptor (mounting adapter option for TPMA1)
1	022-1967	LCD Top Tilt Support (tilt support option for TPMA1)
1	010-3092	Ceiling Mounting Plate (mounting plate option for TPMA2)

TOOLS REQUIRED

Phillips Screwdriver
Allen Wrench (supplied)

HARDWARE LIST

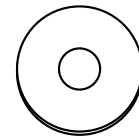
Ref	Qty	Part #	Description
AA	6	030-0304	1/4-20X5/8 Combo Slotted Truss Screw
BB	4	030-0256	1/4-20 Flange Nut
CC	1	HK1020	Allen Wrench
DD	2	030-0427	Nylon Washer
EE	1	031-3119	Foam Strip with Adhesive
FF	1	030-0297	1/4-20X3/8 Allen Head Set Screws



AA



BB

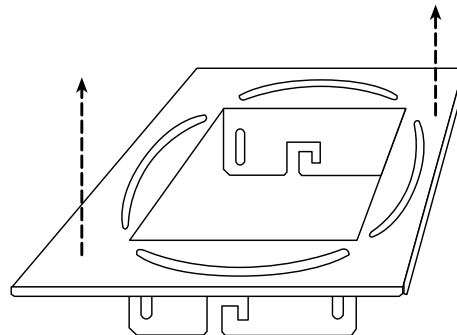


DD



FF

NOTE: There are three methods of attaining Top Tilt support. All methods require additional optional components. Installer must predetermine location of mount before installation begins.



1). Installation Using Flush Ceiling Mount

Ceiling Mount must be attached to solid wood ceiling joist or metal structural beam.
Ceiling Mount must not be attached to drywall, plaster or dropped ceiling.

1. Determine location and type of fasteners required to support mount.
2. Attach Ceiling Mount to ceiling. Adjust to required angle and tighten screws securely.

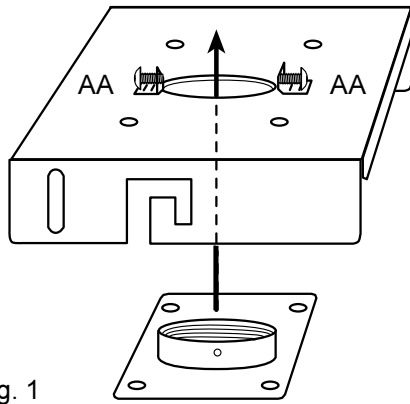


Fig. 1

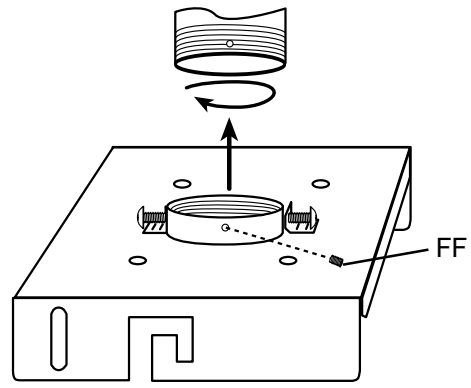
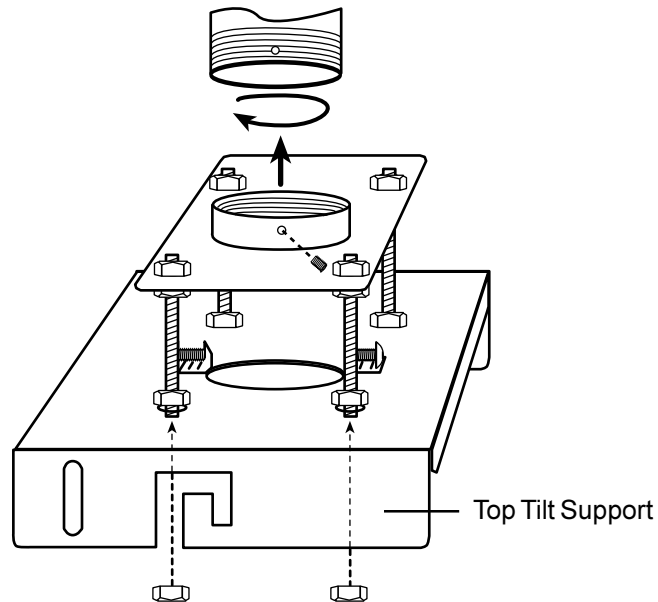


Fig. 2

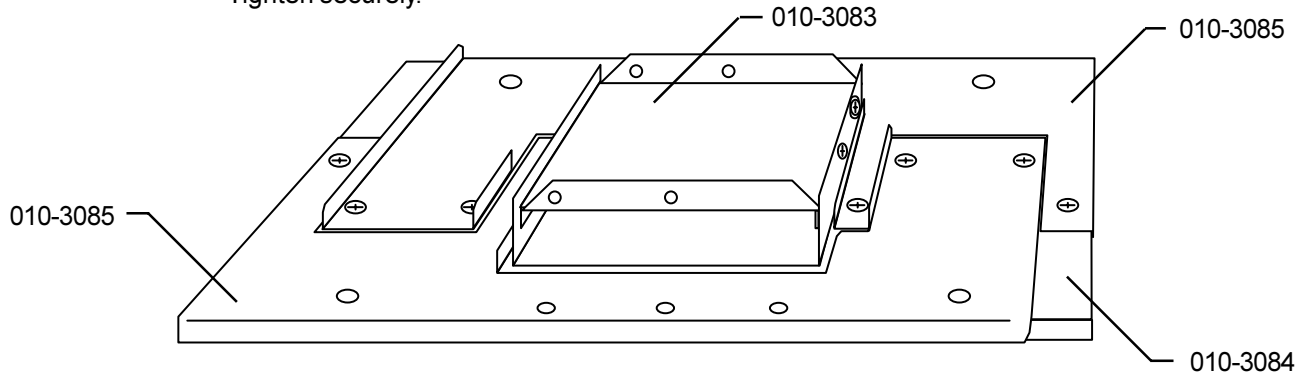
2). Optional Installation Using Threaded Pipe

1. Remove Top Tilt Support and Mounting Adaptor from Top Adjustment Assembly. They have been loosely attached for shipping purposes only.
2. Slide Top Tilt Support over Mounting Adaptor (Fig. 1)
Secure Mounting Adaptor by tightening (2) 1/4-20 screws (AA) to a snug fit.
3. Screw adaptor to threaded Bretford accessory securely.
4. Insert 1/4-20 set screw (FF), do not tighten screw (Fig. 2).



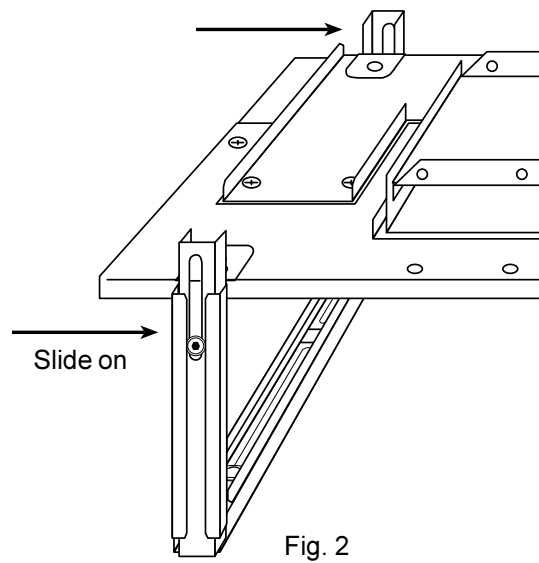
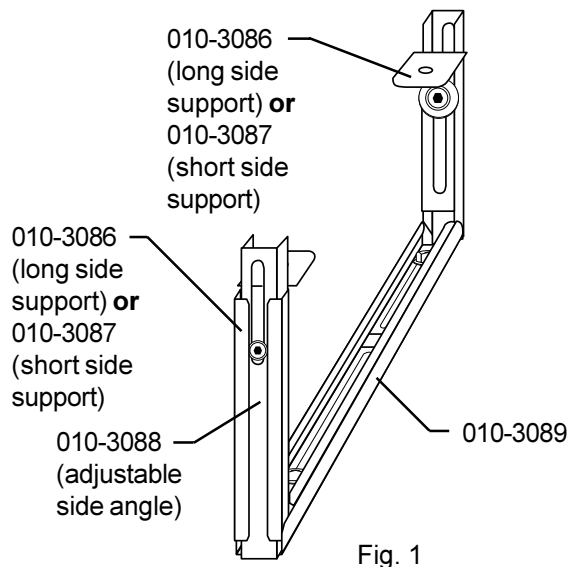
3). Optional Installation Using Threaded Rods

1. Follow instructions above for attaching to pipe.
2. Determine length of four 1/4" threaded rods required.
3. Install threaded rods using 1/4" nuts at top and bottom each of steel plate.
Tighten securely.



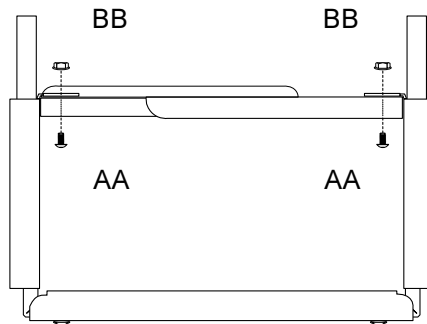
STEP ONE

Place Top Adjustment Assembly on a flat surface with flanges facing up.



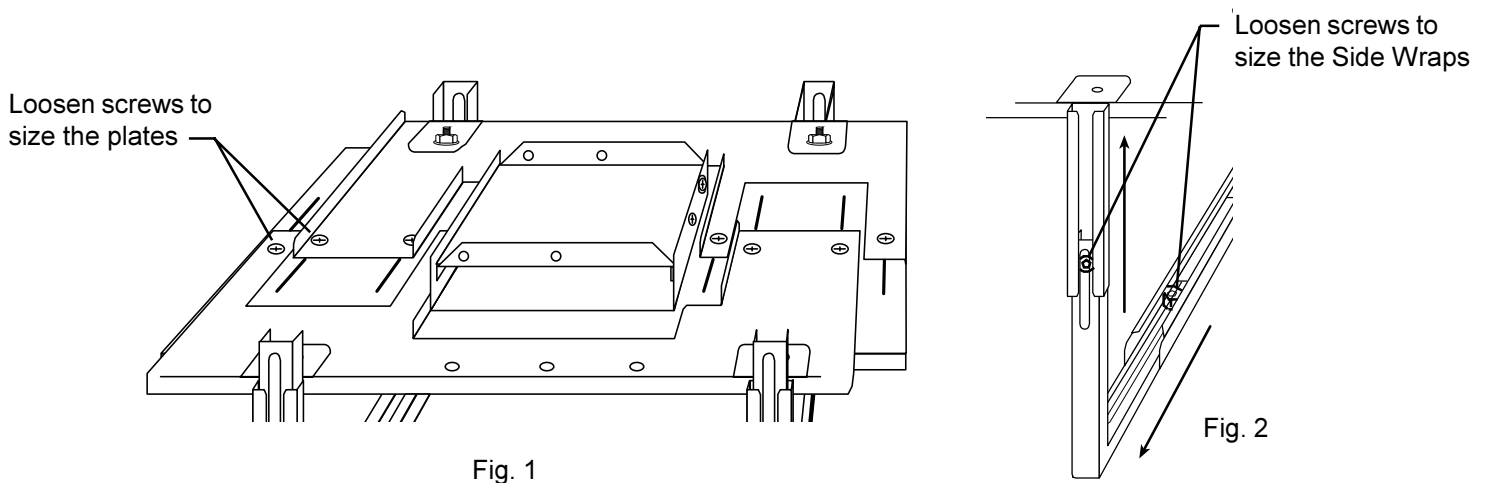
STEP TWO

Have ready both Side Wrap Adjustment Assemblies (Fig. 1). Installer must determine whether to use long or short Side Wrap Adjustment Assemblies according to height of projector being used. If projector is over 10 1/4" high, use long side supports. If using long side supports, disassemble one Wrap Adjustment Assembly at a time, using other as a reference, and replace short supports with long supports. **Note: Do not discard unused parts**. Slide Side Wrap Adjustment Assembly onto Main Adjustable Plate Assembly (Fig. 2) and align with one set of mounting holes. Choose position of Wrap Adjustment Assembly according to size and configuration of projector and power cords.



STEP THREE

Secure Side Wrap Adjustment Assembly using 1/4-20 Truss Screws (AA) and Flange Nuts (BB).
NOTE: Screws installed from underneath. Repeat for second Side Wrap Adjustment Assembly.



STEP FOUR

Loosen screws for Adjustment Plates (Fig. 1) and size the opening to be approximately 1 1/2" wider than the largest width of the projector. Secure screws to a **snug fit**. Loosen screws for Side Wraps (Fig. 2) and size the opening to be 1 1/2" higher than largest height of projector. Secure the screws to a **snug fit**.

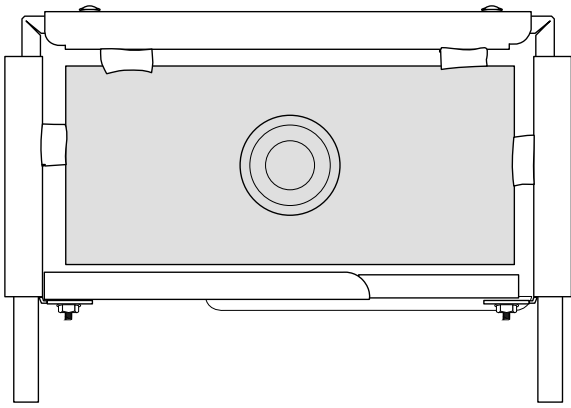


Fig. 1

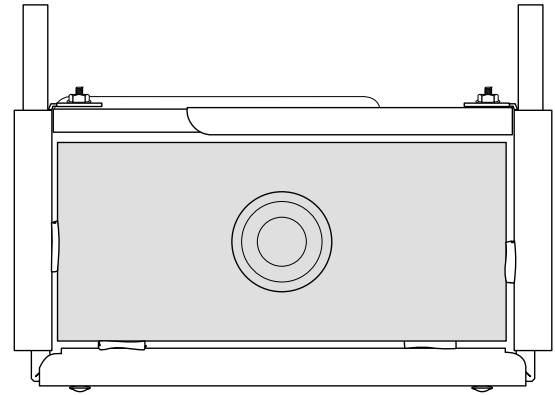
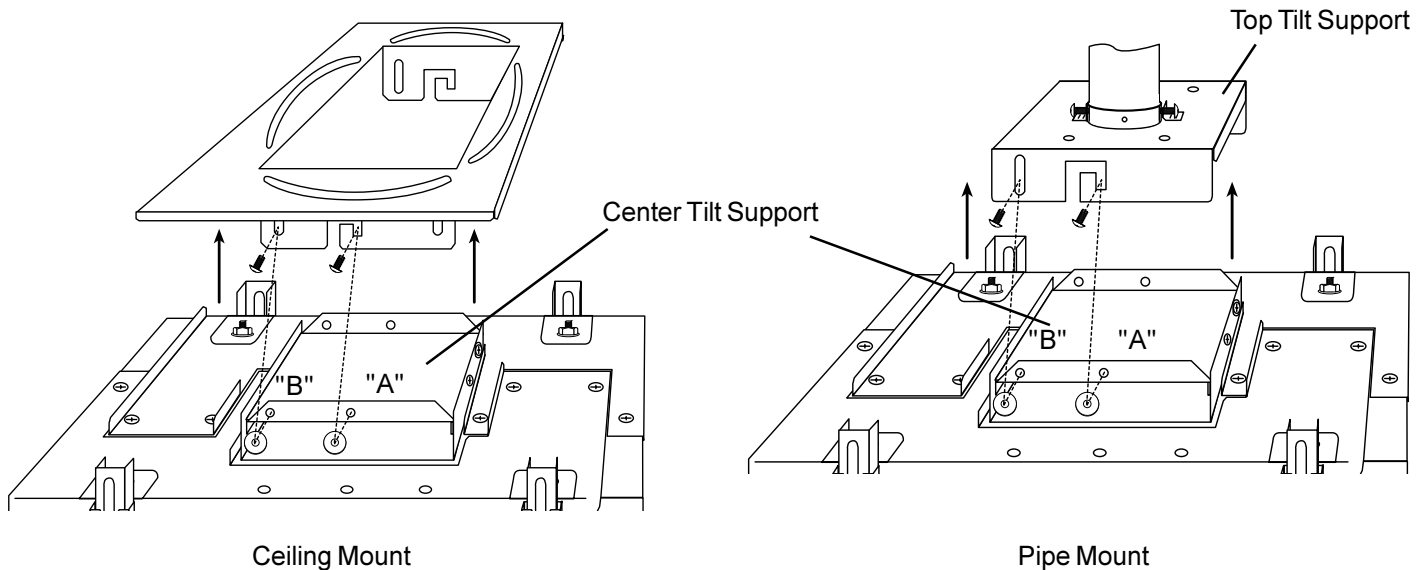


Fig. 2

STEP FIVE

Note: Refer to your projector's owners manual for image reversing operation.

Turn mount upside down. Place projector in mount with top facing up and determine best locations for foam strips (to be adhered at: top, bottom or sides. Note: top may require two layers of foam) to trap and stabilize projector. Cut strips to 1" squares, remove protective backing and attach to mount (Fig. 1). Use at least four foam pieces per Side Wrap Adjustment Assembly. With the projector in place, loosen screws to adjust width and press together sides to secure the projector. Tighten screws while still pressing together. Loosen screws on Side Wraps and press down on the assembly to secure the projector. Tighten the Side Wraps while still pressing down. At this point, the projector should be FIRMLY in place. Readjust if necessary. When secure, turn completed mount right side up (Fig. 2).



STEP SIX

Insert 1/4-20 screws (AA) with plastic washers (DD) into threaded Center Tilt Support holes at "A", leaving 5/16" space between Center Tilt Support and bottom of screw head. (Clearance to allow hardware to slip into "J" slot of Top Tilt Support before tightening). Lift up and slide Mount Assembly into pre-mounted Top Tilt Support, being careful to keep washers *inside* Top Tilt Support. Insert 2-1/4 - 20 screw with plastic washer between top tilt support and center tilt support at "B". Do not tighten screws at this point.

STEP SEVEN

Adjust all tilts and swivel to achieve proper projection image, then tighten all screws securely.

Bretford
 11000 Seymour Avenue
 Franklin Park, IL 60131
 TEL: 847.678.2545
 800.521.9614
 FAX: 847.678.0852
 800.343.1779

Bretford Ltd.
 Technology House
 7 Lake End Court, Taplow
 Bucks SL6 0JQ England
 TEL: 01628 603558
 FAX: 01628 604923