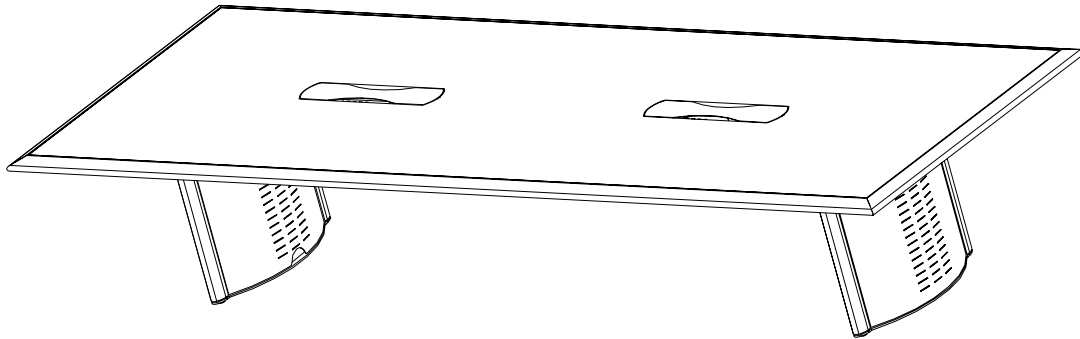




TRU CONF TABLES 8-10

Assembly Instructions For:

**MODELS HAVING 2 PEDESTALS
AND A 1 PIECE TOP WITH CUTOUTS**



NOTE: IT WOULD BE HELPFUL TO READ THROUGH THE INSTRUCTIONS FIRST TO ENSURE THAT YOUR TABLE WILL BE POSITIONED IN THE CORRECT LOCATION ONCE ASSEMBLY IS FINISHED. BECAUSE OF THE LARGE TABLE LENGTHS, YOU MAY NOT BE ABLE TO REPOSITION YOUR TABLE AFTER ASSEMBLY.

SAFETY WARNING

**Note: TWO PERSON
ASSEMBLY REQUIRED**

PARTS LIST

Qty	Part #	Description
2	SA5980	Wood Spline
4	022-2219	Upright - Pedestal
2	010-3751	Bottom Plate, Pedestal
2	010-3747	Top Plate, Pedestal
2	010-3748	Inner Pedestal Panel
2	010-3749	Outer Pedestal Panel
1	022-2221	Bin Sub Assembly-8
1	022-2222	Bin Sub Assembly-10
4	010-2756	Cord Winder
2	010-3752	Hinged Divider Panel-Data
2	010-3759	Solid Face Plate
4	010-3761	Data Face Plate
1	SA****	Wood Top
2	022-2218	Hinged Divider Panel-Power
1	010-3745	Mounting Bracket-Hub LH
1	010-3746	Mounting Bracket-Hub RH
4	010-4114	Gusset

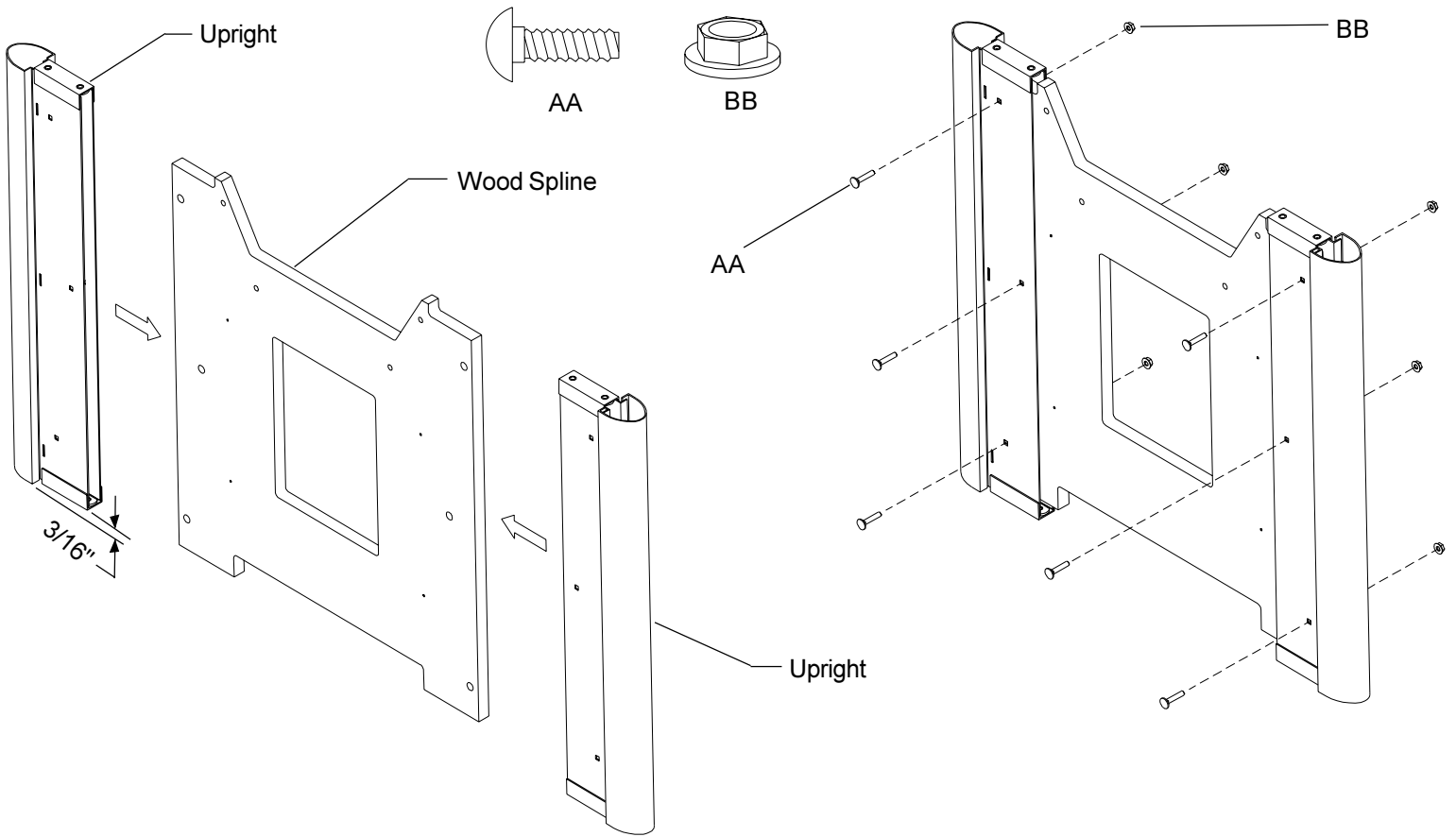
HARDWARE LIST

Qty	Part #	Description
28	HD1007	1/4-20 x 1 1/2" Carriage Bolt
28	030-0207	1/4-20 x Flanged Hex Serrated Nut
8	030-0307	5/16-18 x 5/8" Hex Head Screw
8	030-0918	5/16-18 x 1/2" Phl. Flat Hd. Screw
4	HD1128	3/8-16 x 1 3/4" Flr. Glide
8	030-0255	#10 x 5/8" Phl. Pan Hd. Screw
8	030-0043	#10-1/4" Brite Zinc Spce. Washer
16	02132	#4 x 1/4" Phl. Pan Hd. SM
8	030-0325	1/4-20 x 1/2" Combo Truss Hd. Screw
28	030-0304	1/4-20 x 5/8" Combo Truss Hd. Screw (24 on 8')

TOOLS REQUIRED

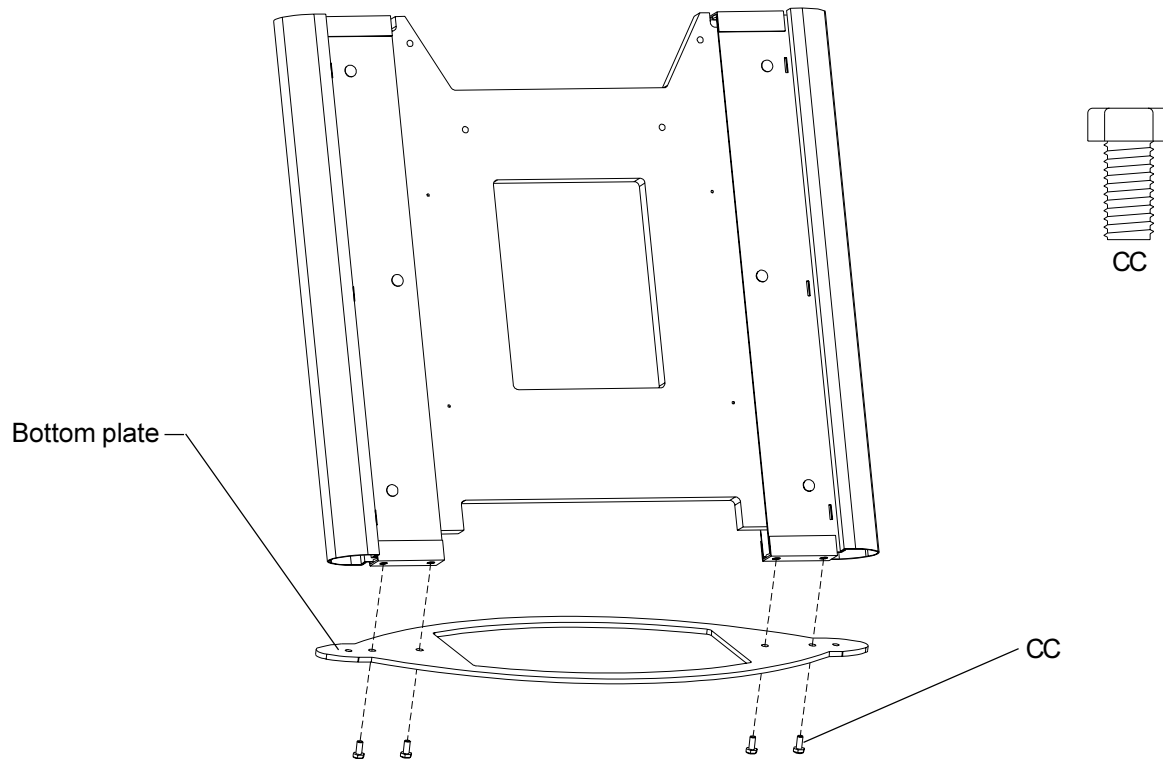
Phillips Screwdriver
Adjustable Wrench

NOTE: For retro fitting the gussets refer to Steps 7, 8 and 9.



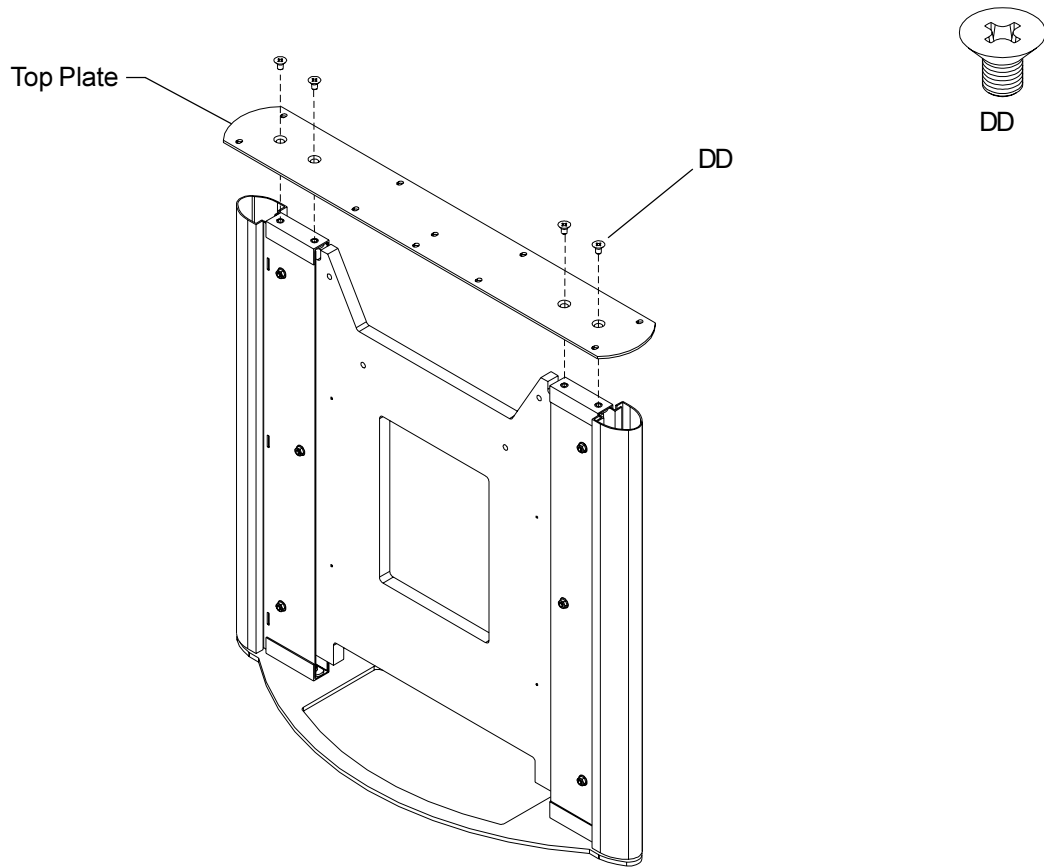
STEP 1

Slide Uprights on each side of Wood Spline and align the bolt holes. **Make sure 3/16" step of Uprights are at bottom.** Loosely attach carriage bolts (AA) and nuts (BB) as shown.



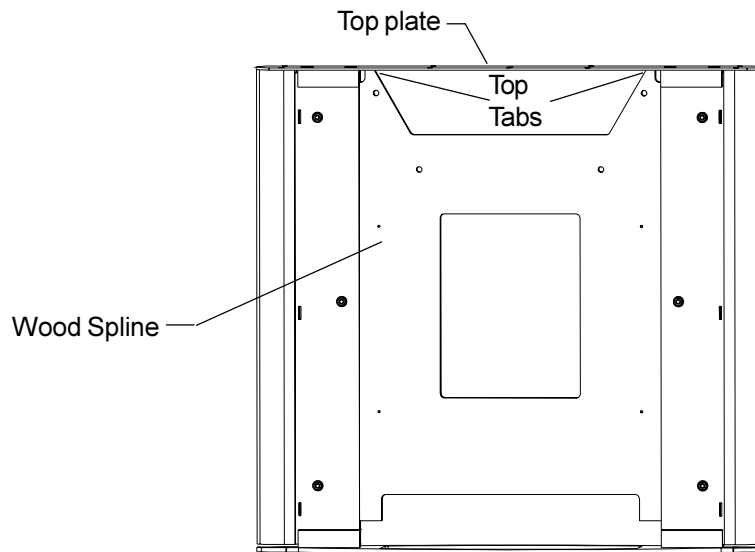
STEP 2

Attach bottom plate to uprights with hex bolts (CC) as shown. Tighten bolts.



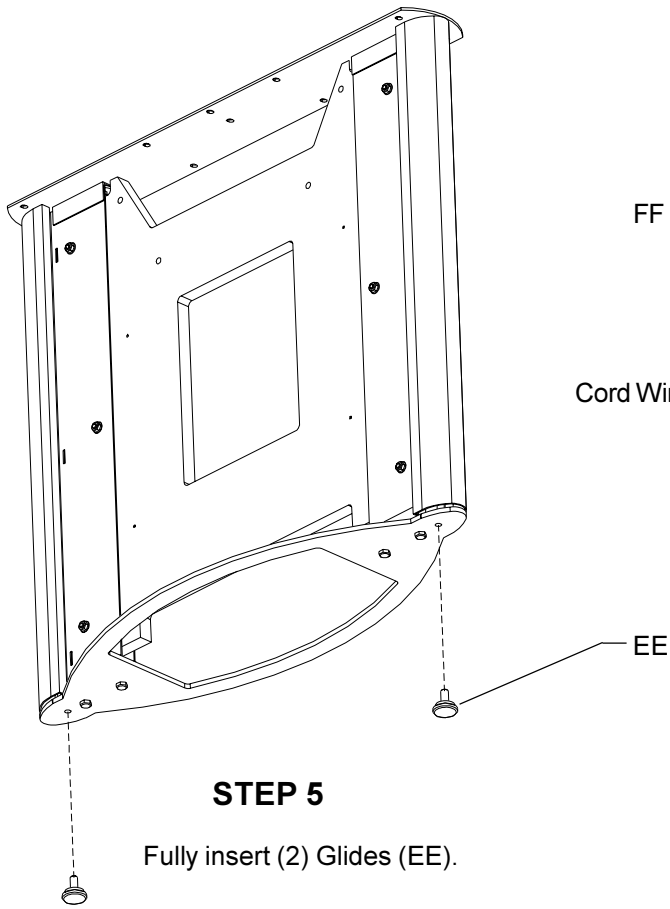
STEP 3

Attach top plate to uprights with flat head screws (DD) as shown. Tighten screws.



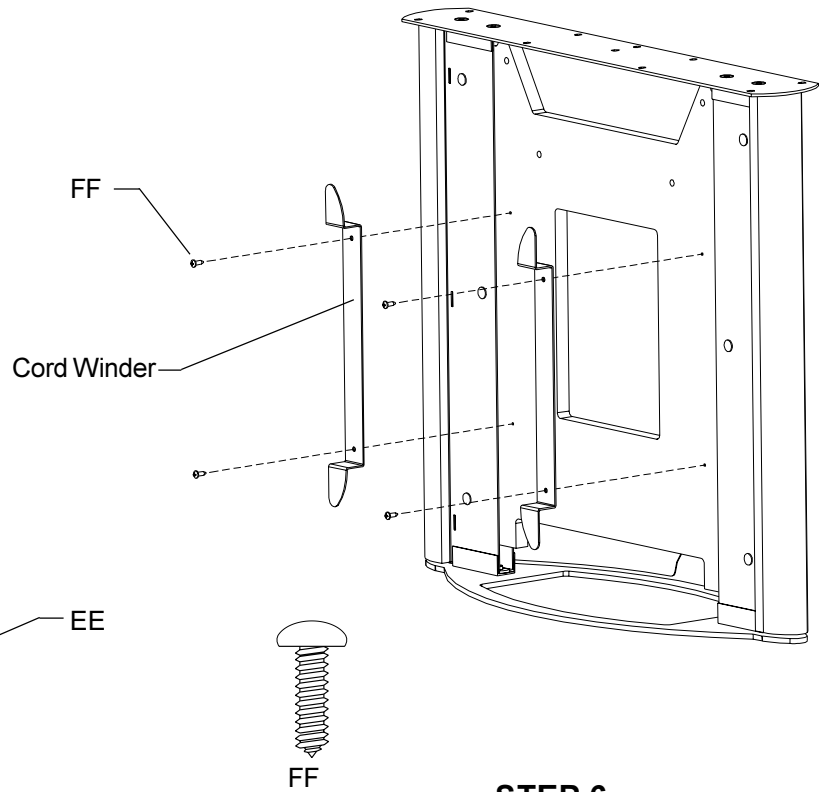
STEP 4

Pull up on wood spline so that top tabs make **contact** with bottom of top plate and tighten (6) nuts (BB) on carriage bolts (AA). **it is important for 'contact' between the (2) surfaces for proper bin assembly.**



STEP 5

Fully insert (2) Glides (EE).

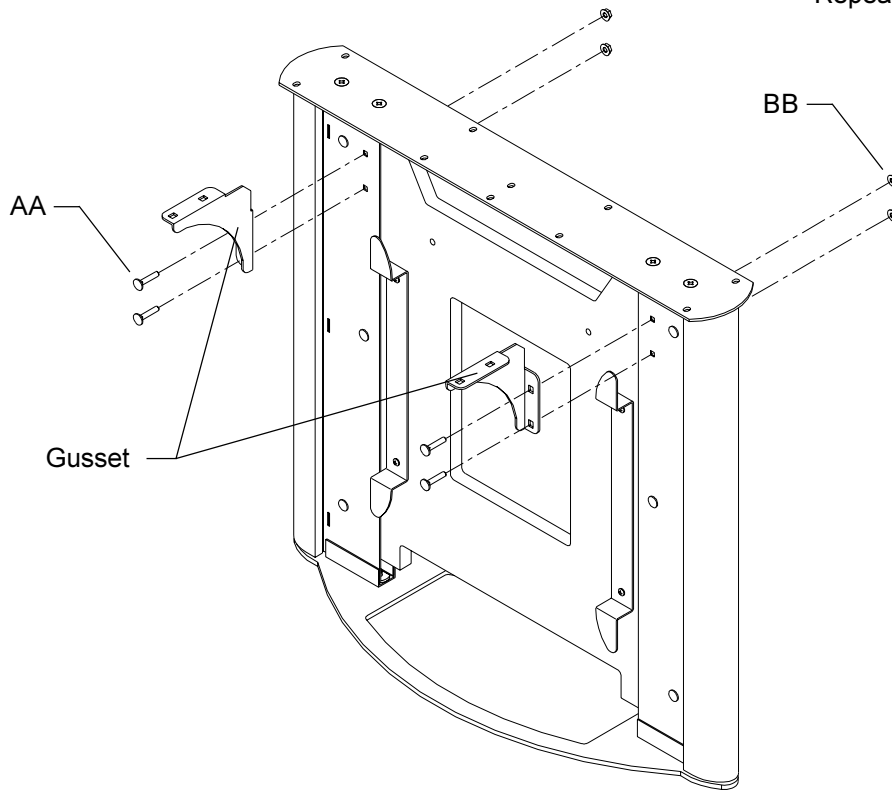


STEP 6

Attach Cord Winder with screws (FF) as shown. Do not over tighten.

STEP 6a

Repeat steps 1-6 for the remaining pedestal.



STEP 7

Install the Gussets using 1/4-20x1 1/4" Carrige Bolts (AA) and 1/4-20 Hex Nut (BB) as shown above.

Note: The gussets will face toward the center of the table.

Do NOT tighten the hardware (AA) and (BB) at this point. They will be tightened when the Bin assembly is attached at step 9.

NOTE: When installing gussets as a retro fit, you will use your existing bolts and nuts. You will get additional bolts and nuts with your replacement package.

STEP 9

A) Position one partially assembled pedestal at the head table location. Position second partially assembled pedestal spaced slightly longer than bin and **inner panels of pedestals are facing each other.**

B) With assistance, position one end of the bin mounting holes with the 'spline' mounting holes and that the 2 long flanges of the bin are above the gusset flanges.

Hint: The bin can rest on the gusset flanges and pedestal inner panel during hole alignment.

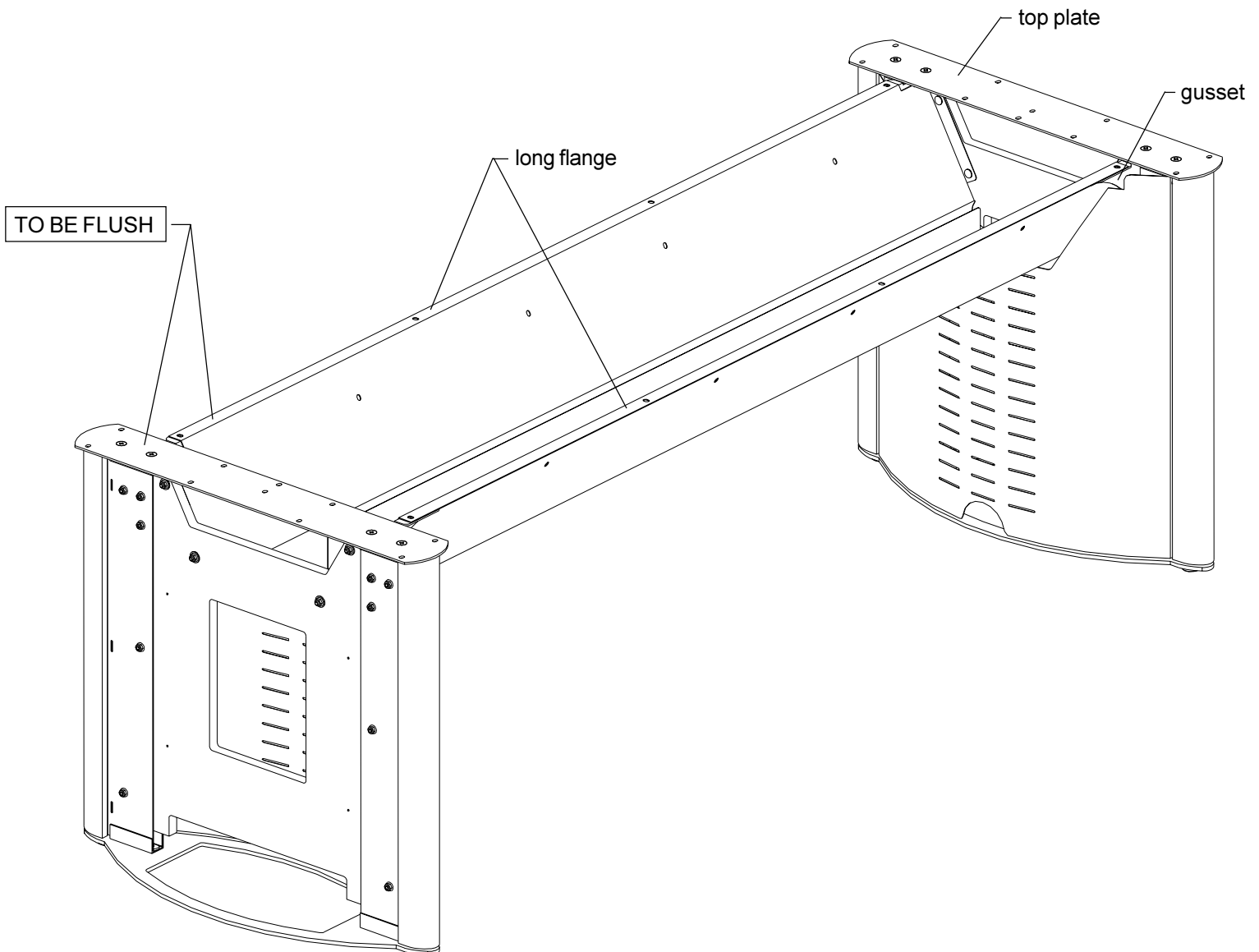
Loosely attach (4) carriage bolts (AA), washers (GG) and nuts (BB).

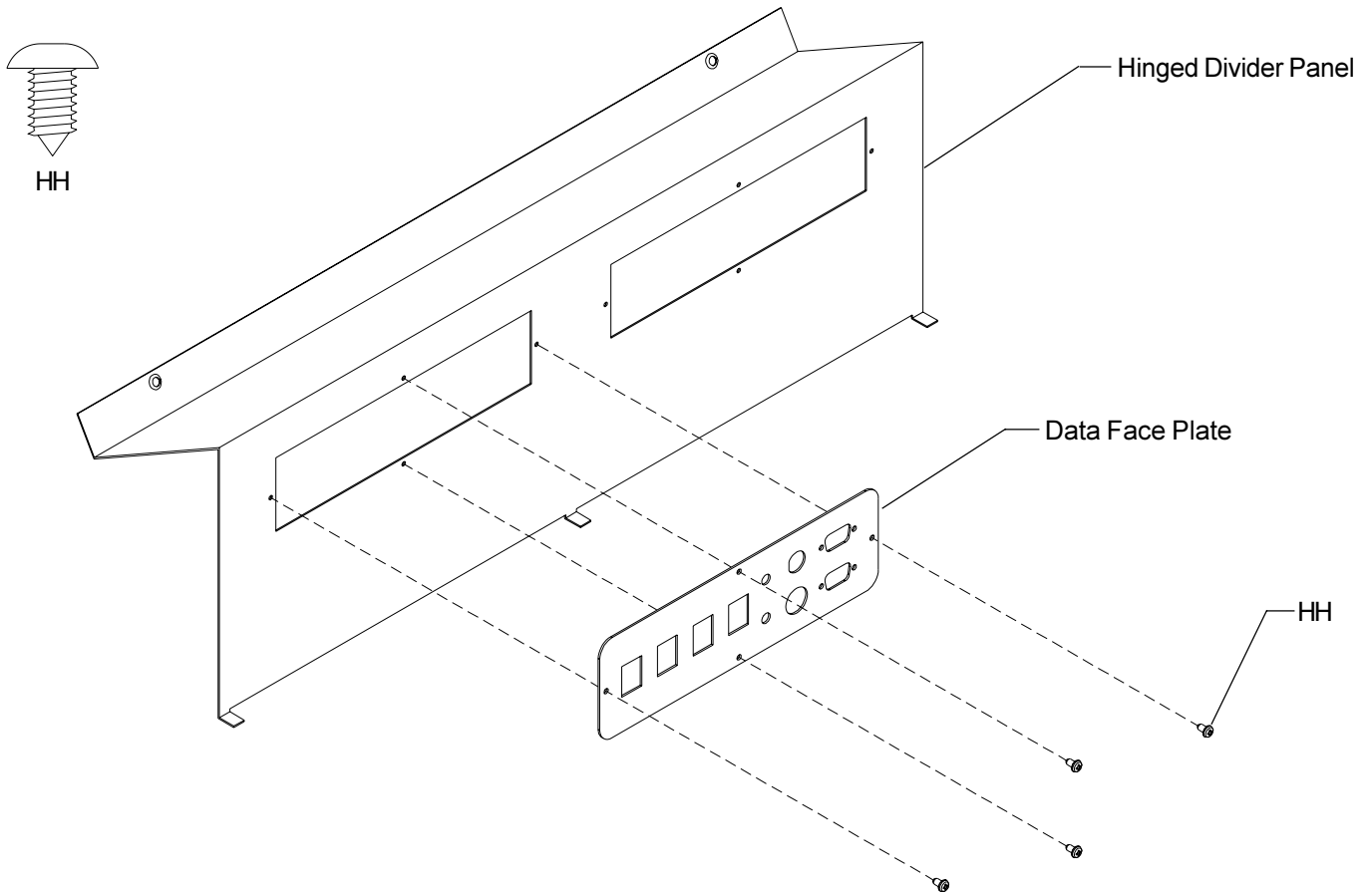
Head of carriage bolts are on bin flanges. Nuts/washers are on 'spline'.

C) Position other end of bin on to the spline in the same manner. Loosely attach (4) carriage bolts (AA), washers (GG) and nuts (BB).

D) Position/align both pedestals so that they are parallel with each other (this will ensure that the bin won't bind when nuts are tightened). If necessary, pull up on bin so the (2) long flanges (with mounting holes) are flush with pedestal top plate. Tighten (4) nuts.

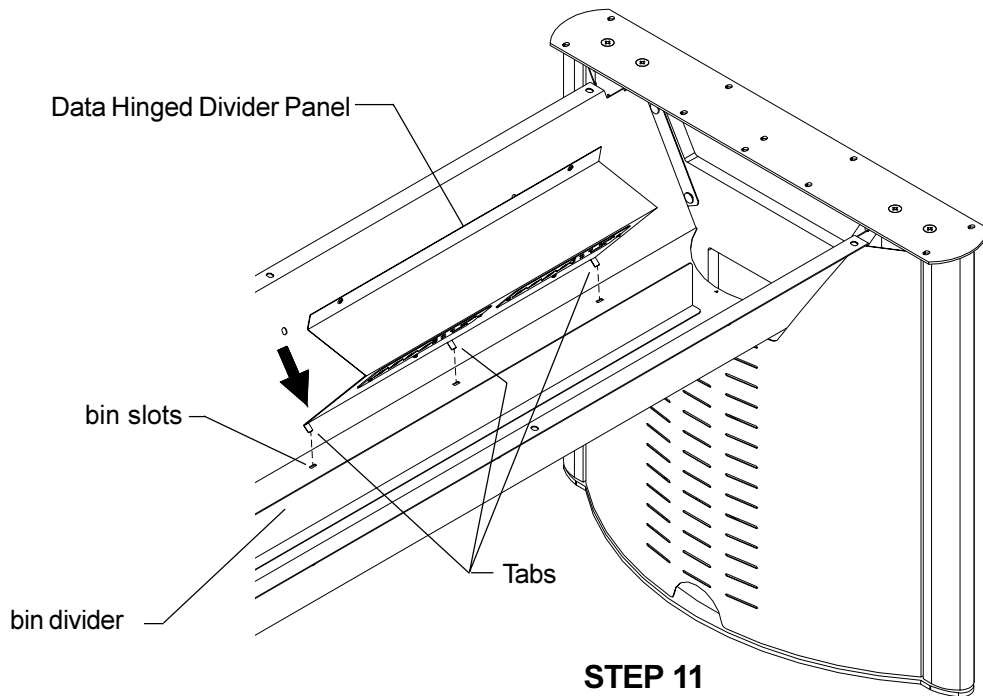
E) The gusset hardware can be tightened at this point. Be sure that the gusset top flange is pulled up to the bottom of the 2 long flanges of the bin prior to tightening gusset hardware.





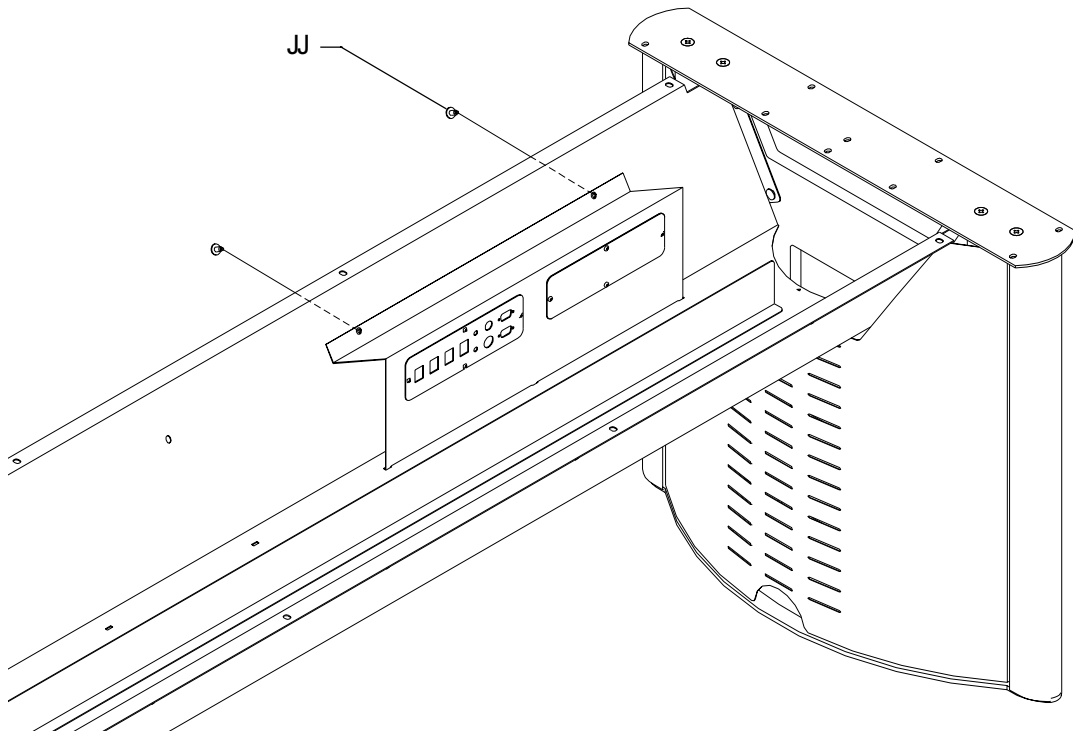
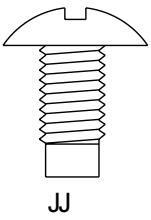
STEP 10

Note: Prior to Data Face Plate installation, have a qualified technician install your data need requirements. Blank area of Data Face Plate can be modified by technician to meet your data needs. Feed all data wiring through the cutout in Hinged Divider Panel. Align (4) mounting holes and install (4) screws (HH). Repeat on all Data Face Plates.



STEP 11

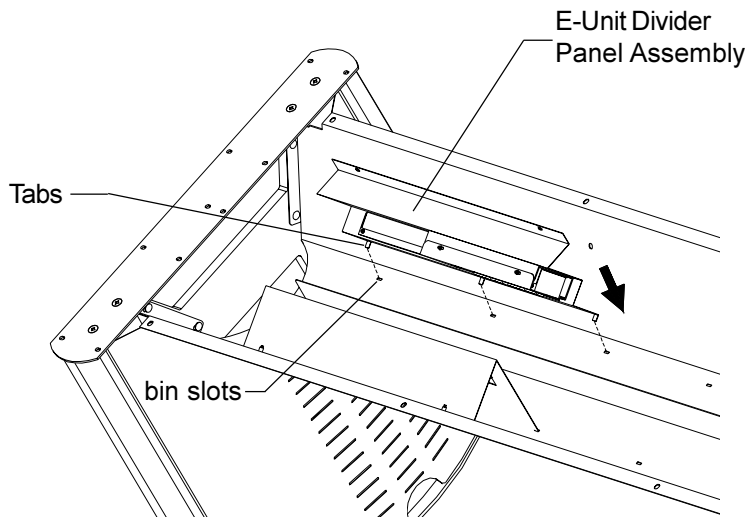
Determine which side of bin divider (in bin) to mount your Data Hinged Divider Panel. Keep your data and power lines to one side of the bin divider through out Bin assembly. Position Data Hinged Divider Panel tabs with slots in bin and fully insert panel tabs. The Data Hinged Divider Panels should pivot freely and rest against the Bin wall. The (2) mounting holes in the bin should be aligned with the Hinged Divider Panel holes.



STEP 12

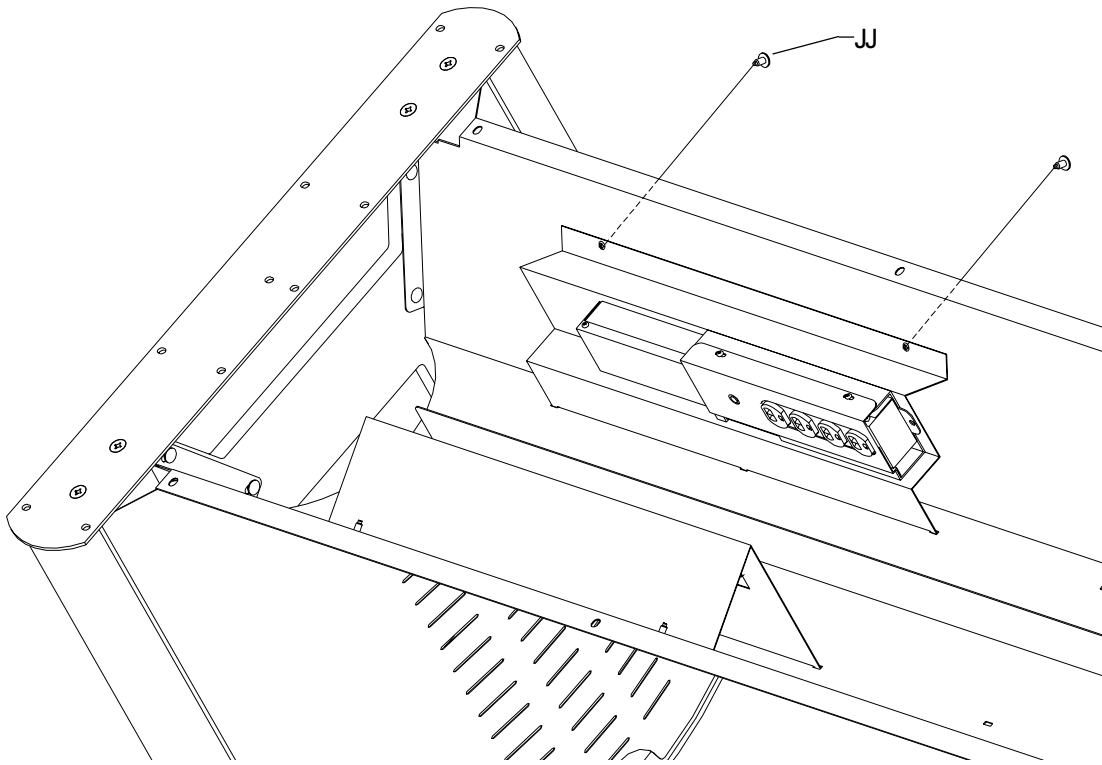
To secure Data Hinged Divider Panel, Insert Screws (JJ) through the Bin mounting holes and into mounting flange of Data Hinged Divider Panel. Do not over tighten screws. Repeat for all Data Hinged Divider Panels.

Note: Refer to soft wiring (step 4) or hard wiring (step 5) installation instruction sheet to install your E-Unit onto Dividers. When completed, continue to next step.



STEP 13

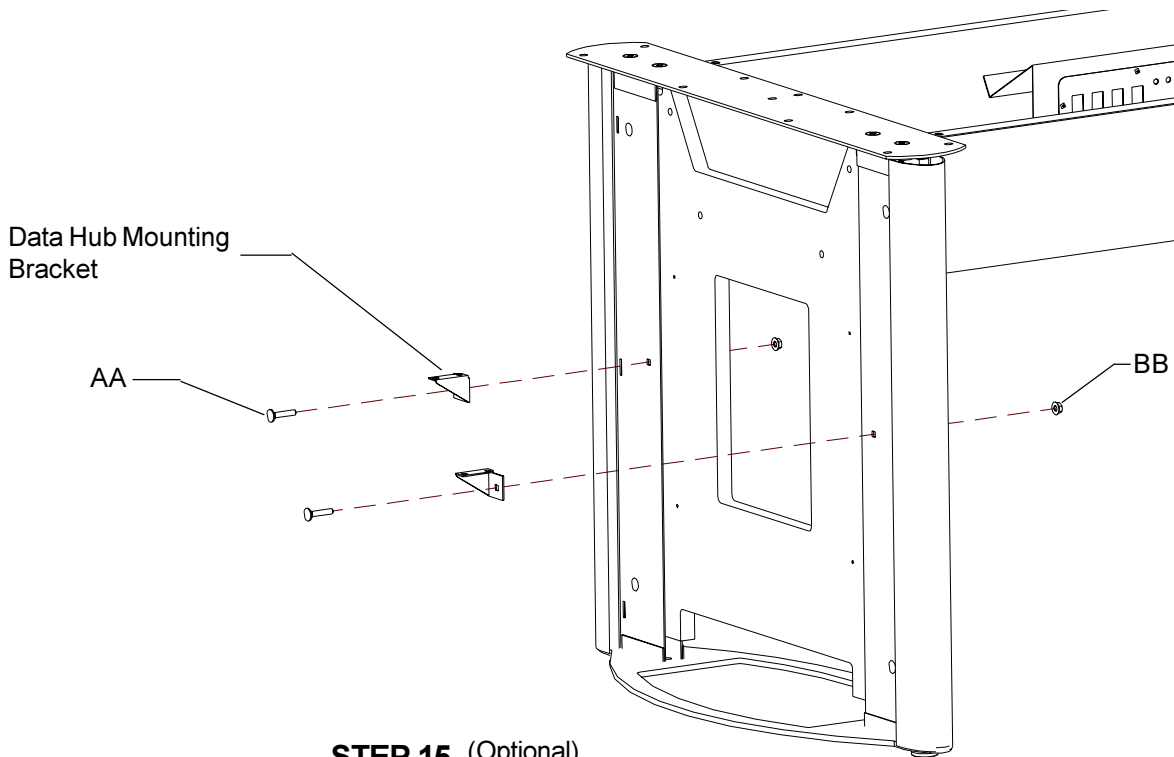
Position E-Unit Divider Panel assembly tabs with slots in bin and fully insert panel tabs. The E-Unit Divider Panel assembly should pivot freely and rest against the bin wall. The (2) mounting holes in the bin should be aligned with the E-Unit Divider Panel assembly holes.



STEP 14

To secure E-Unit Divider Panel assembly, insert screws (JJ) through the bin mounting holes and into mounting flange of E-Unit Divider Panel assembly. Do not over tighten screws. Repeat for all E-Unit Divider Panel assemblies.

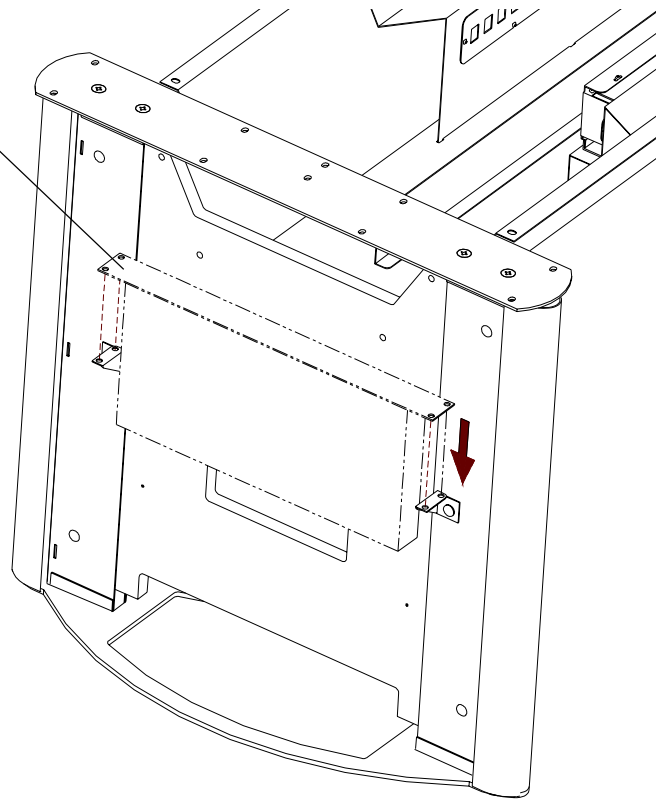
Note: Refer to soft wiring (step 3) for cord placement or hard wiring (step 3 and 4) installation instruction sheet for 'jumper' and 'power entry' placement.



STEP 15 (Optional)

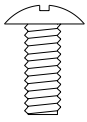
Data Hub Mounting Brackets are provided for 19" rack mount unit. Determine placement for Hub Unit (outer position shown). Remove Cord Winders if in the way and install other side of pedestal. Remove inner pedestal panel, (2) sets of carriage bolts (AA) and nuts (BB) as shown. Insert carriage bolt through bracket and reinstall on pedestal. Secure with nut. Repeat step on other bracket (note orientation of brackets). Replace inner pedestal panel.

Typical Data hub
Rack (19" wide)

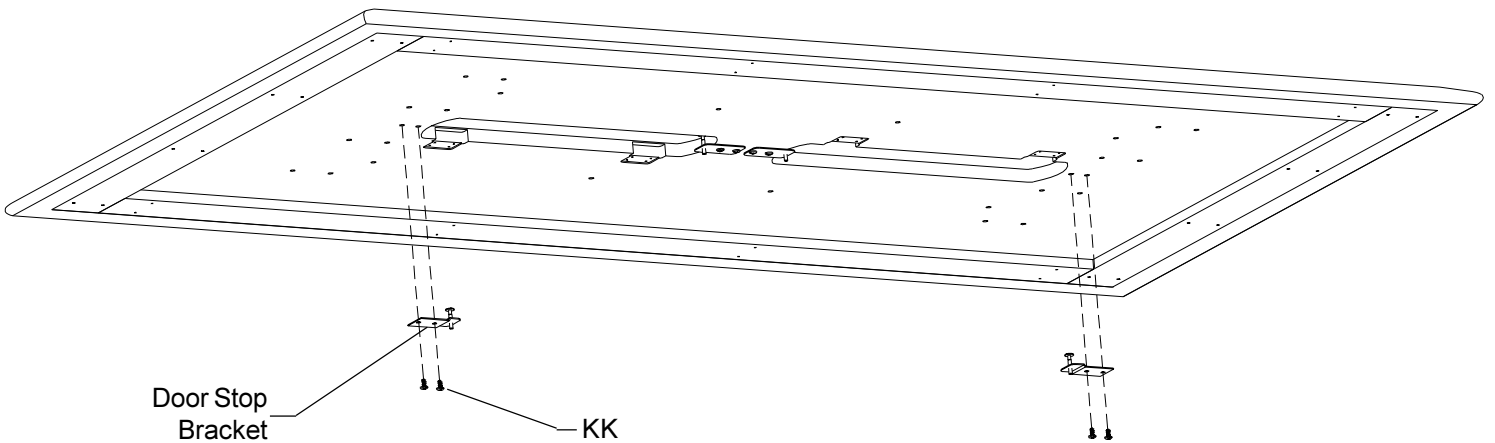


STEP 16 (Optional)

Typical Data hub Rack attachment shown.



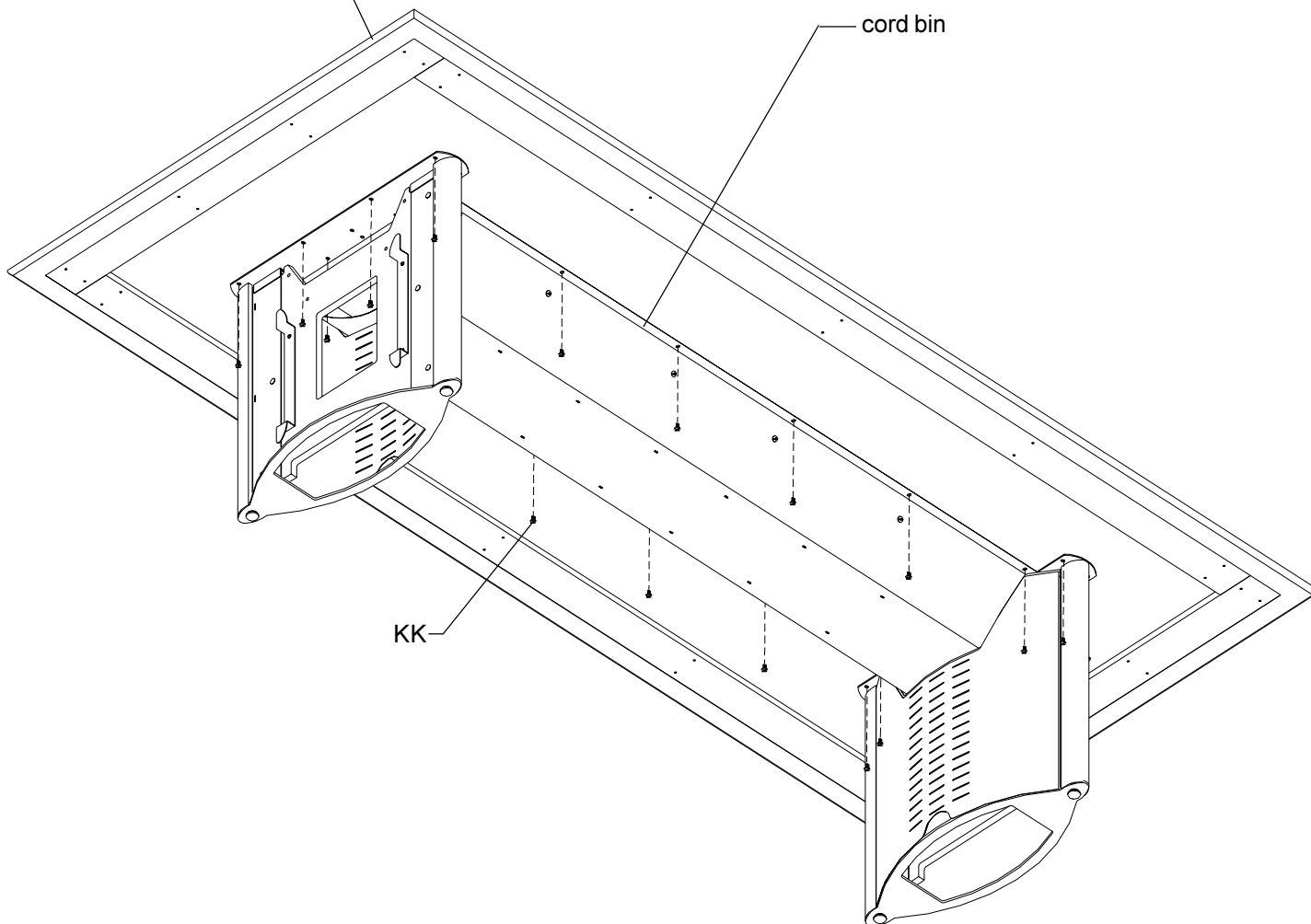
KK



STEP 17 (For 8' Table Only)

Prior to placing wood top onto base assembly, remove (2) door stop brackets (with offset flange) and screws (KK) and set aside.

1 3/4" thick wood top
shown your top may
vary, but installation is
identical



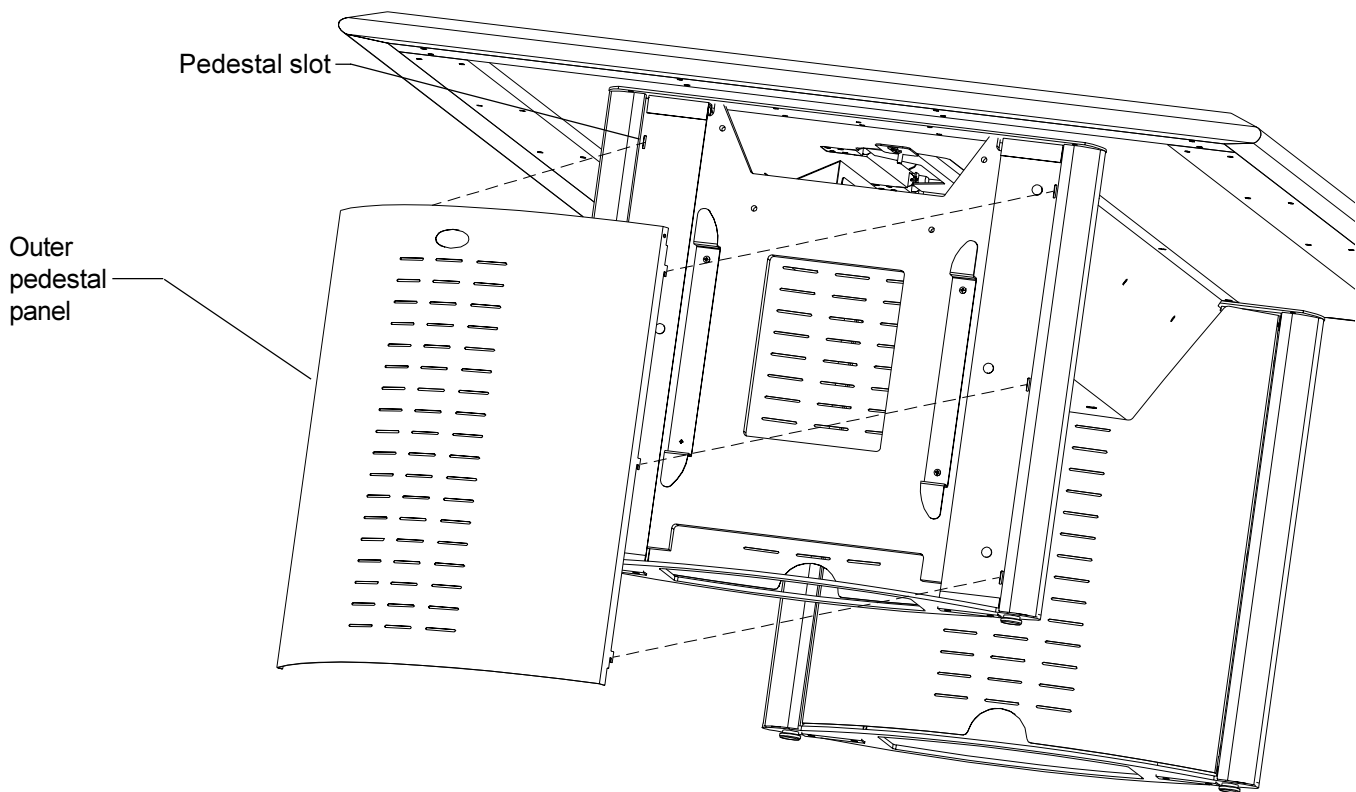
STEP 18

With assistance, carefully place wood top onto base assembly. Align cord bin and pedestal mounting holes with wood top inserts from underneath, attach with the screws (KK).

8 foot table only:

Re install (2) door stop brackets (with offset flange) and screws (KK).

Note that the top plate (of pedestal assembly) has (2) clearance holes which align with wood top inserts.



STEP 19

Attach (2) Outer pedestal panels to Head pedestals by hooking panel tabs into pedestal hook slots.

Leveling Table:

If necessary, table assembly level can be adjusted with wrench. Place wrench on glide shoulder nut and turning left/right for up/down travel.

Bretford
11000 Seymour Avenue
Franklin Park, IL 60131
TEL: 847.678.2545
800.521.9614
FAX: 847.678.0852
800.343.1779

Bretford Ltd.
Technology House
2 Etongate, 110 Windsor Road
Slough, Berkshire SL1 2JA England
TEL: 01753 53 99 55
FAX: 01753 53 94 78

www.bretford.com

Part#031-6188
Rev. 07.26.04 CH