

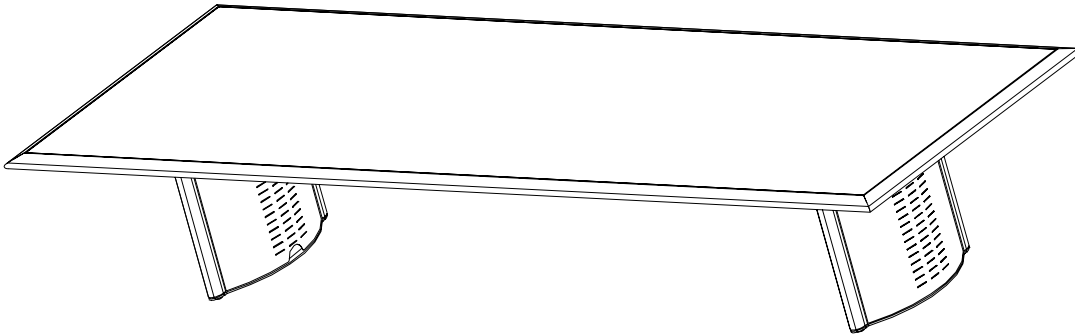


# BRETFORD

## TRU CONF TABLES 8-10 WITH NO DOORS

Assembly Instructions For:

MODELS HAVING 2 PEDESTALS  
AND A 1 PIECE TOP WITH NO CUTOUTS



**NOTE: IT WOULD BE HELPFUL TO READ THROUGH THE INSTRUCTIONS FIRST TO ENSURE THAT YOUR TABLE WILL BE POSITIONED IN THE CORRECT LOCATION ONCE ASSEMBLY IS FINISHED. BECAUSE OF THE LARGE TABLE LENGTHS, YOU MAY NOT BE ABLE TO REPOSITION YOUR TABLE AFTER ASSEMBLY.**

***SAFETY WARNING***  
**Note: TWO PERSON  
ASSEMBLY REQUIRED**

### PARTS LIST

Qty	Part #	Description	Ref.
2	SA5980	Wood Spline	AA
4	022-2219	Upright - Pedestal	BB
2	010-3751	Bottom Plate, Pedestal	CC
2	010-3747	Top Plate, Pedestal	DD
2	010-3748	Inner Pedestal Panel	EE
2	010-3749	Outer Pedestal Panel	FF
1	022-2221	Bin Sub Assembly-8	GG
1	022-2222	Bin Sub Assembly-10	kk
4	010-2756	Cord Winder	
1	SA****	Wood Top	
4	010-4114	Gusset	

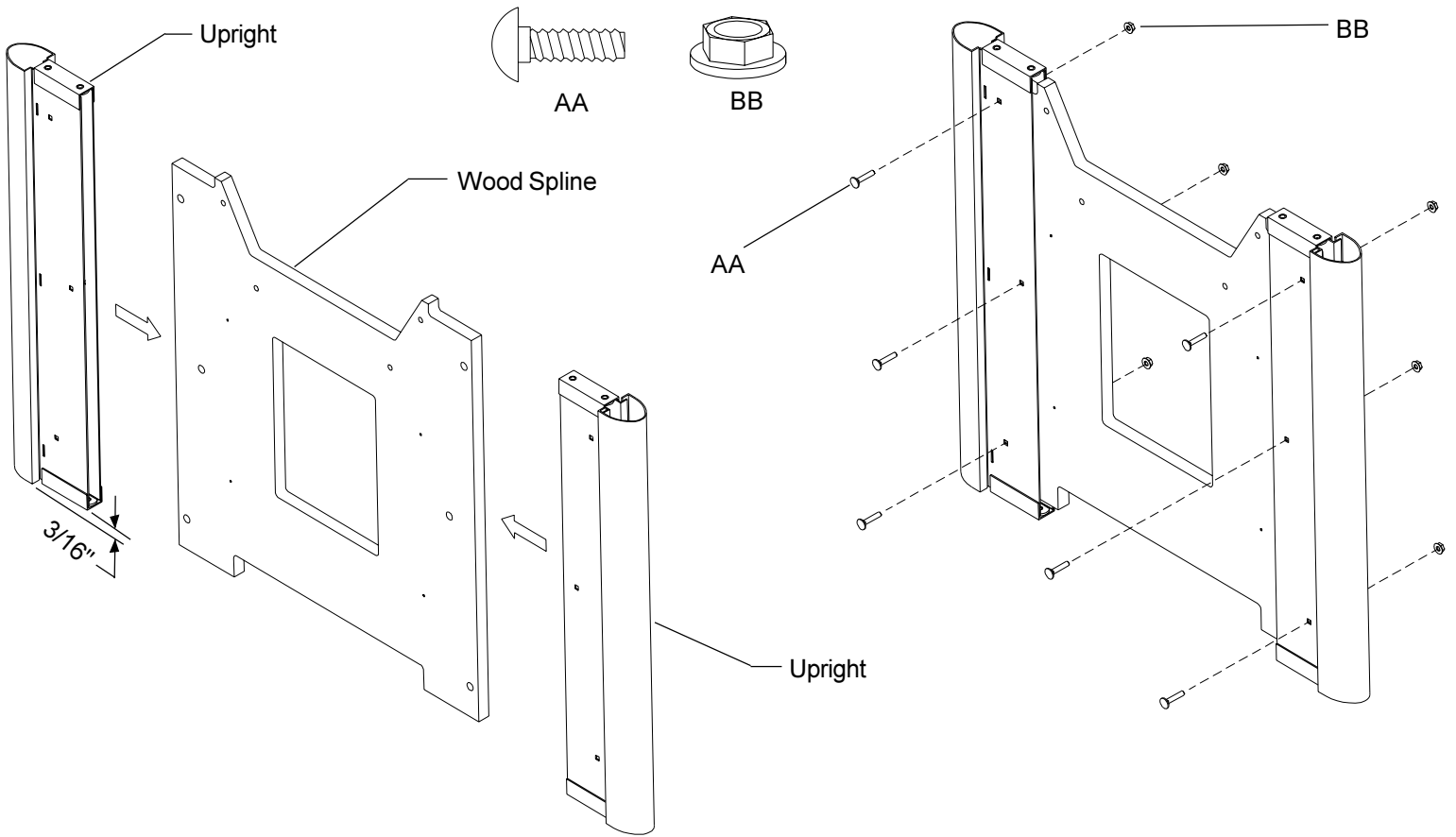
### HARDWARE LIST

Qty	Part #	Description
28	HD1007	1/4-20 x 1 1/2" Carriage Bolt
28	030-0207	1/4-20 x Flanged Hex Serrated Nut
8	030-0307	5/16-18 x 5/8" Hex Head Screw
8	030-0918	5/16-18 x 1/2" Phl. Flat Hd. Screw
4	HD1128	3/8-16 x 1 3/4" Flr. Glide
8	030-0255	#10 x 5/8" Phl. Pan Hd. Screw
8	030-0043	#10-1/4" Brite Zinc Spce. Washer
28	030-0304	1/4-20 x 5/8" Combo Truss Hd. Screw (24 on 8')

### TOOLS REQUIRED

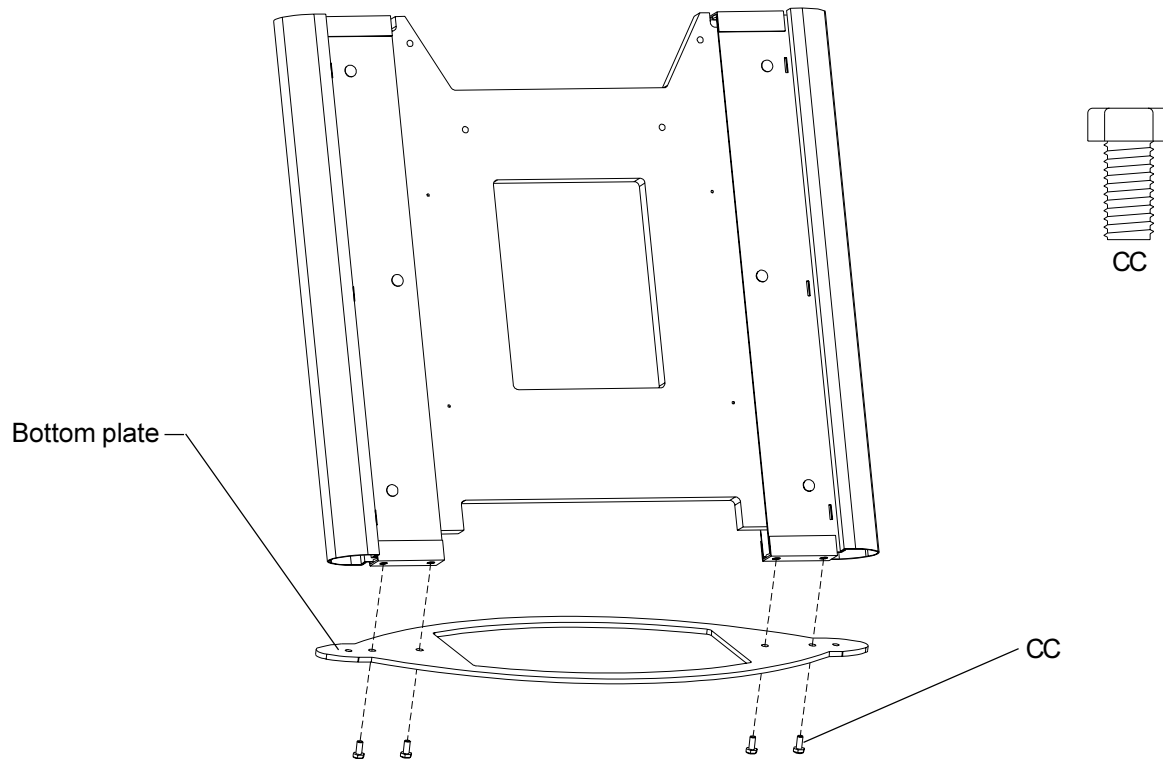
Phillips Screwdriver  
Adjustable Wrench

**NOTE:** For retro fitting the gussets refer to Steps 7, 8 and 9.



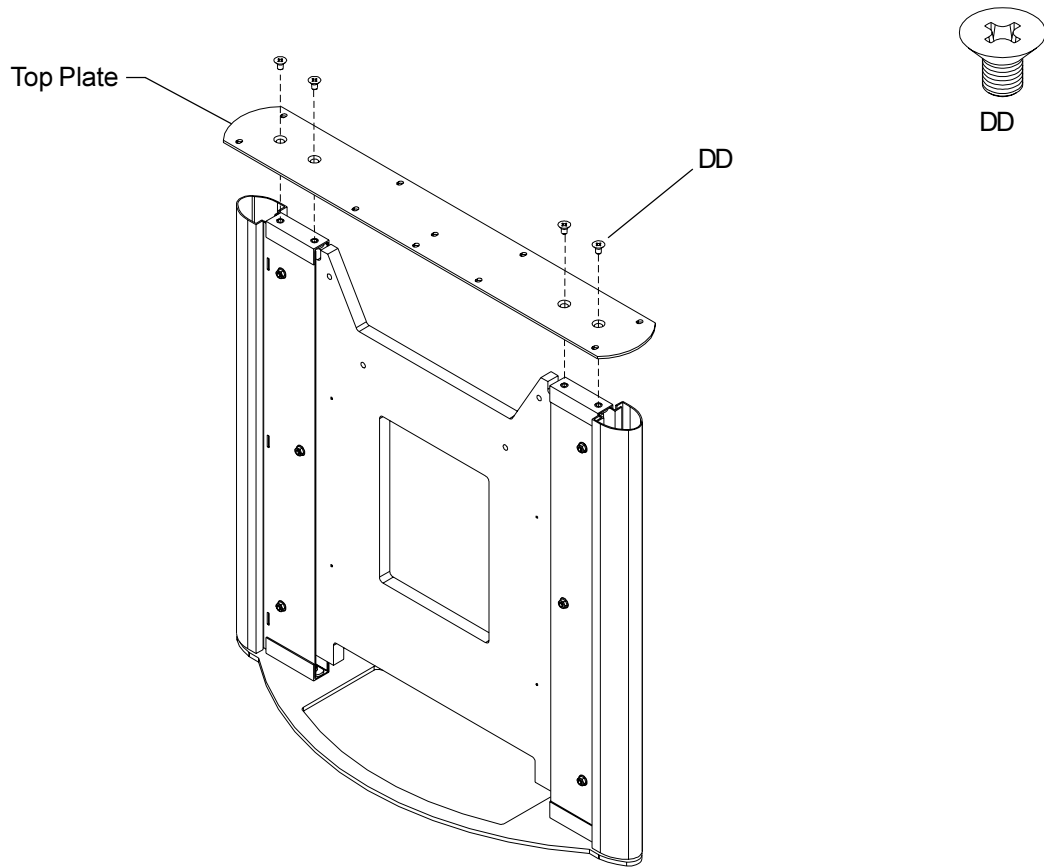
**STEP 1**

Slide Uprights on each side of Wood Spline and align the bolt holes. **Make sure 3/16" step of Uprights are at bottom.** Loosely attach carriage bolts (AA) and nuts (BB) as shown.



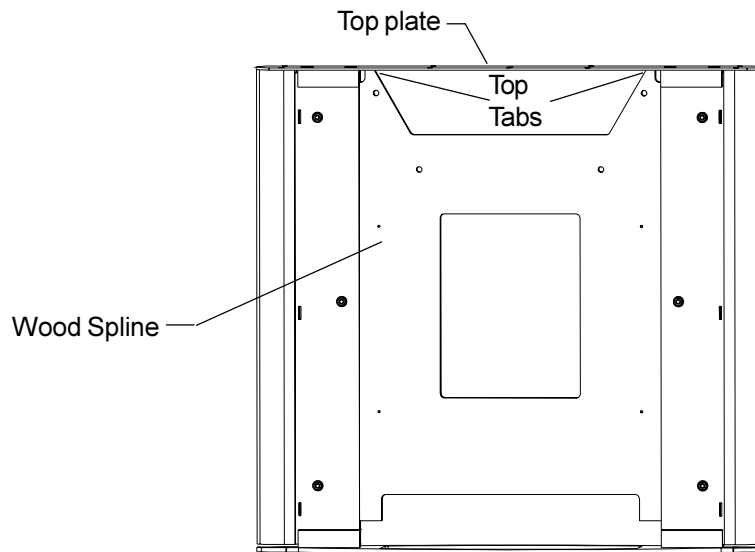
**STEP 2**

Attach bottom plate to uprights with hex bolts (CC) as shown. Tighten bolts.



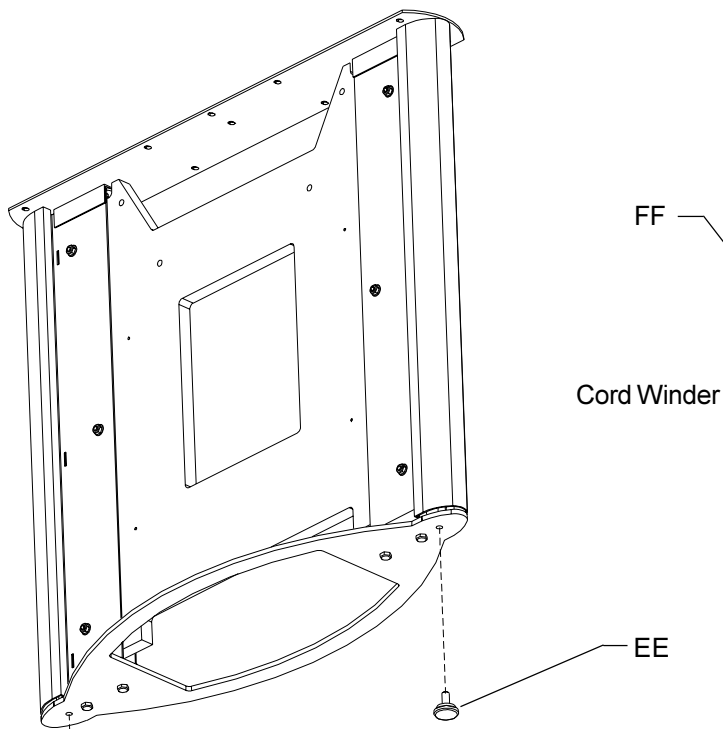
### STEP 3

Attach top plate to uprights with flat head screws (DD) as shown. Tighten screws.



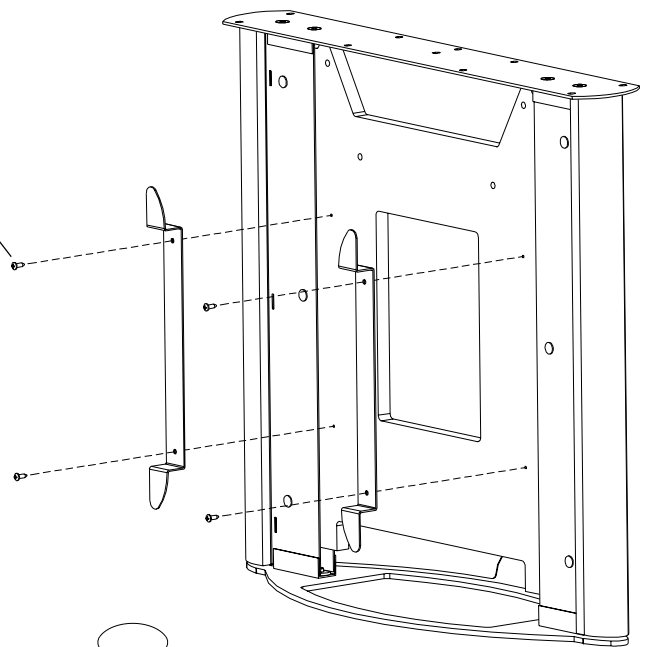
### STEP 4

Pull up on wood spline so that top tabs make **contact** with bottom of top plate and tighten (6) nuts (BB) on carriage bolts (AA). **it is important for 'contact' between the (2) surfaces for proper bin assembly.**



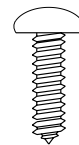
### STEP 5

Fully insert (2) Glides (EE).



### STEP 6

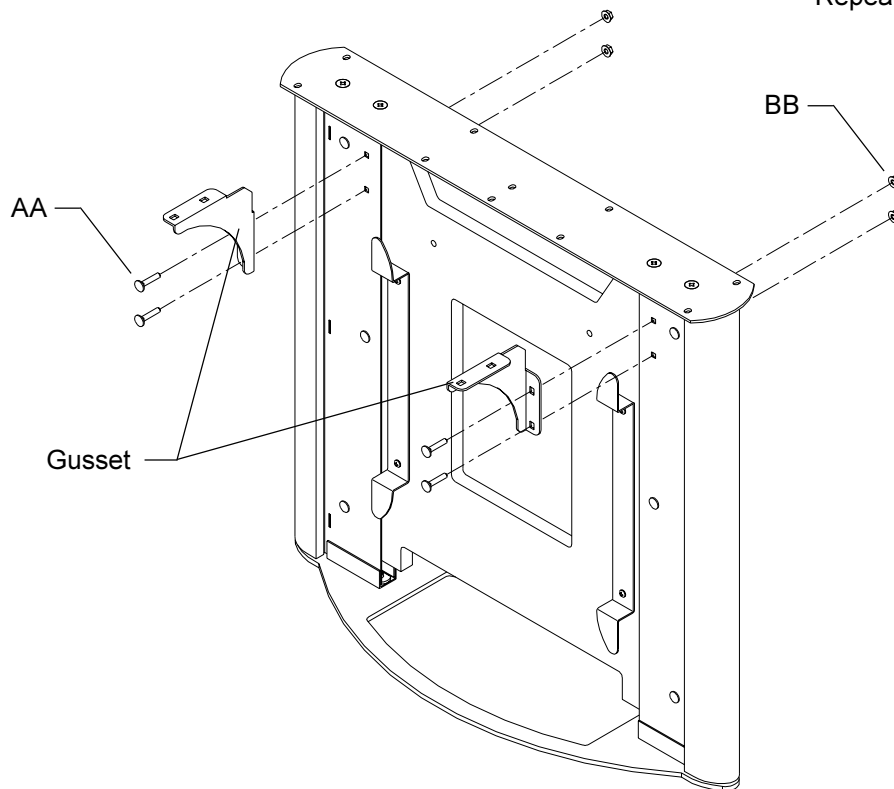
Attach Cord Winders with screws (FF) as shown. Do not over tighten.



FF

### STEP 6a

Repeat steps 1-6 for the remaining pedestal.



### STEP 7

Install the Gussets using 1/4-20x1 1/4" Carriage Bolts (AA) and 1/4-20 Hex Nut (BB) as shown above.

**Note:** The gussets will face toward the center of the table.

Do NOT tighten the hardware (AA) and (BB) at this point. They will be tightened when the Bin assembly is attached at step 9.

*NOTE: When installing gussets as a retro fit, you will use your existing bolts and nuts. You will get additional bolts and nuts with your replacement package.*

***SAFETY WARNING***  
**Note: TWO PERSON**  
**ASSEMBLY REQUIRED**

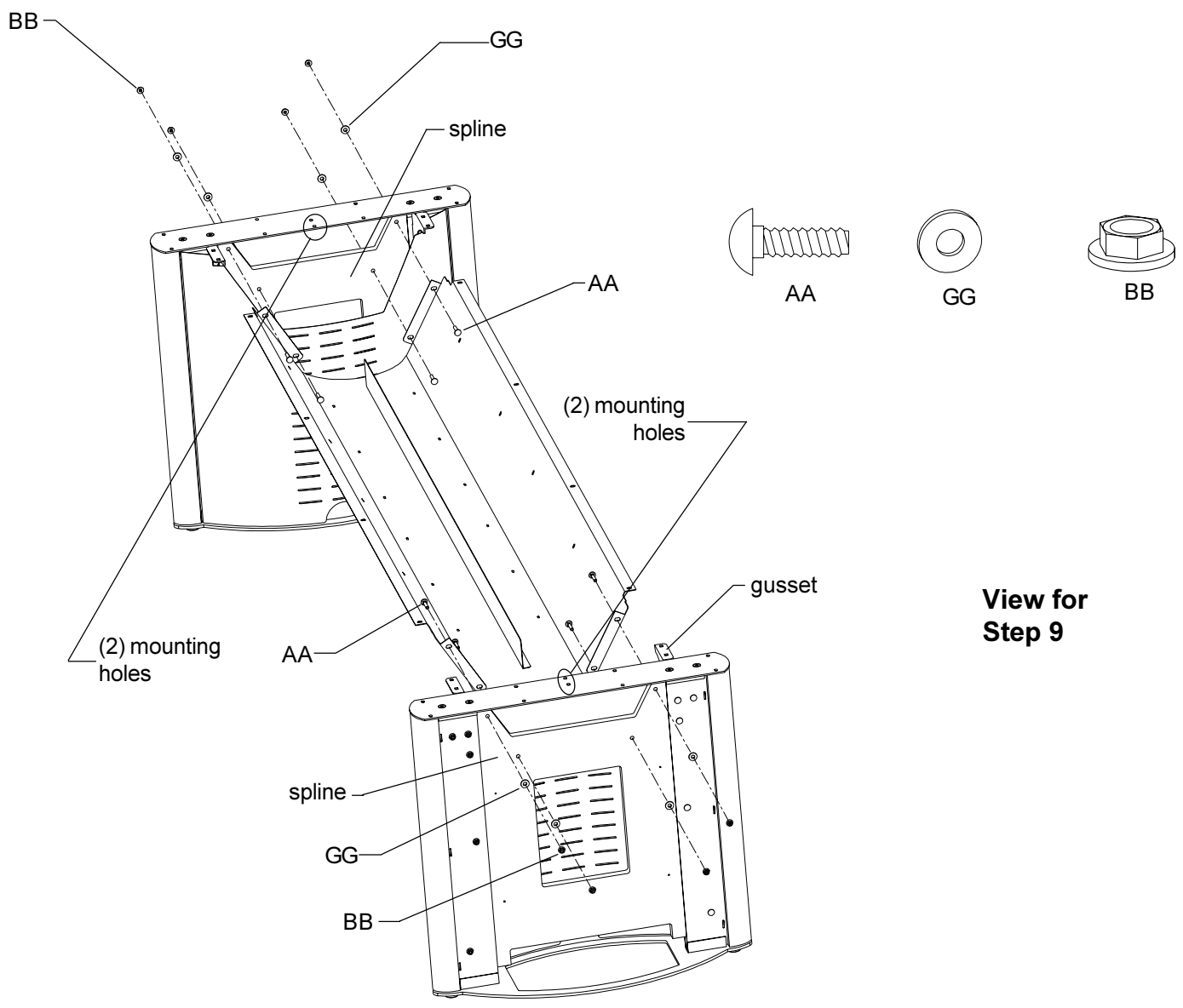
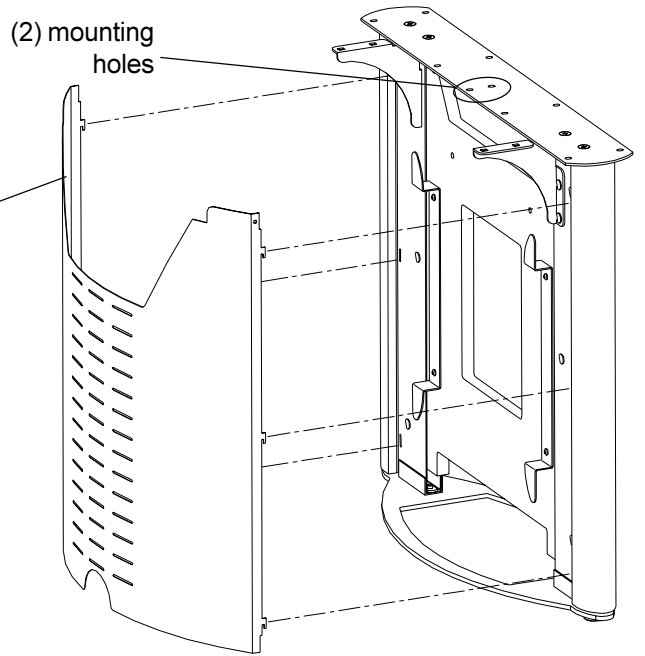
**STEP 8**

Attach (1) Inner pedestal panel to (2) pedestals by hooking panel tabs into pedestal hook slots.

Note: If cord winders are to be covered with the panel, their location will be facing the bin at final assembly.

8 foot table only

Top plate has (2) mounting holes (shown above), that must face inward when assembled on an 8' table. See "view for step 9".



**View for Step 9**

## STEP 9

**A)** Position one partially assembled pedestal at the head table location. Position second partially assembled pedestal spaced slightly longer than bin and **inner panels of pedestals are facing each other.**

**B)** With assistance, position one end of the bin mounting holes with the 'spline' mounting holes and that the 2 long flanges of the bin are above the gusset flanges.

**Hint: The bin can rest on the gusset flanges and pedestal inner panel during hole alignment.**

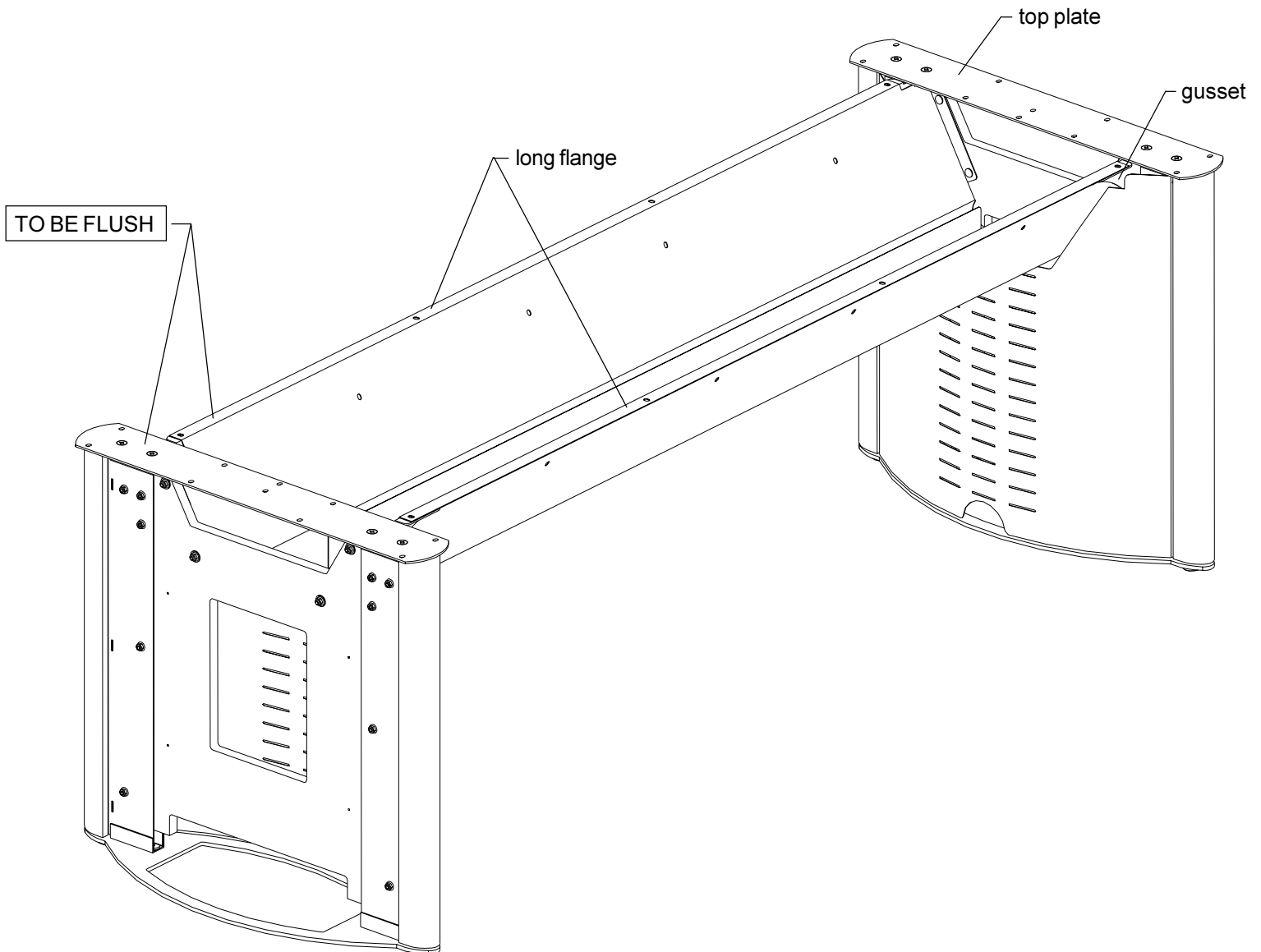
Loosely attach (4) carriage bolts (AA), washers (GG) and nuts (BB).

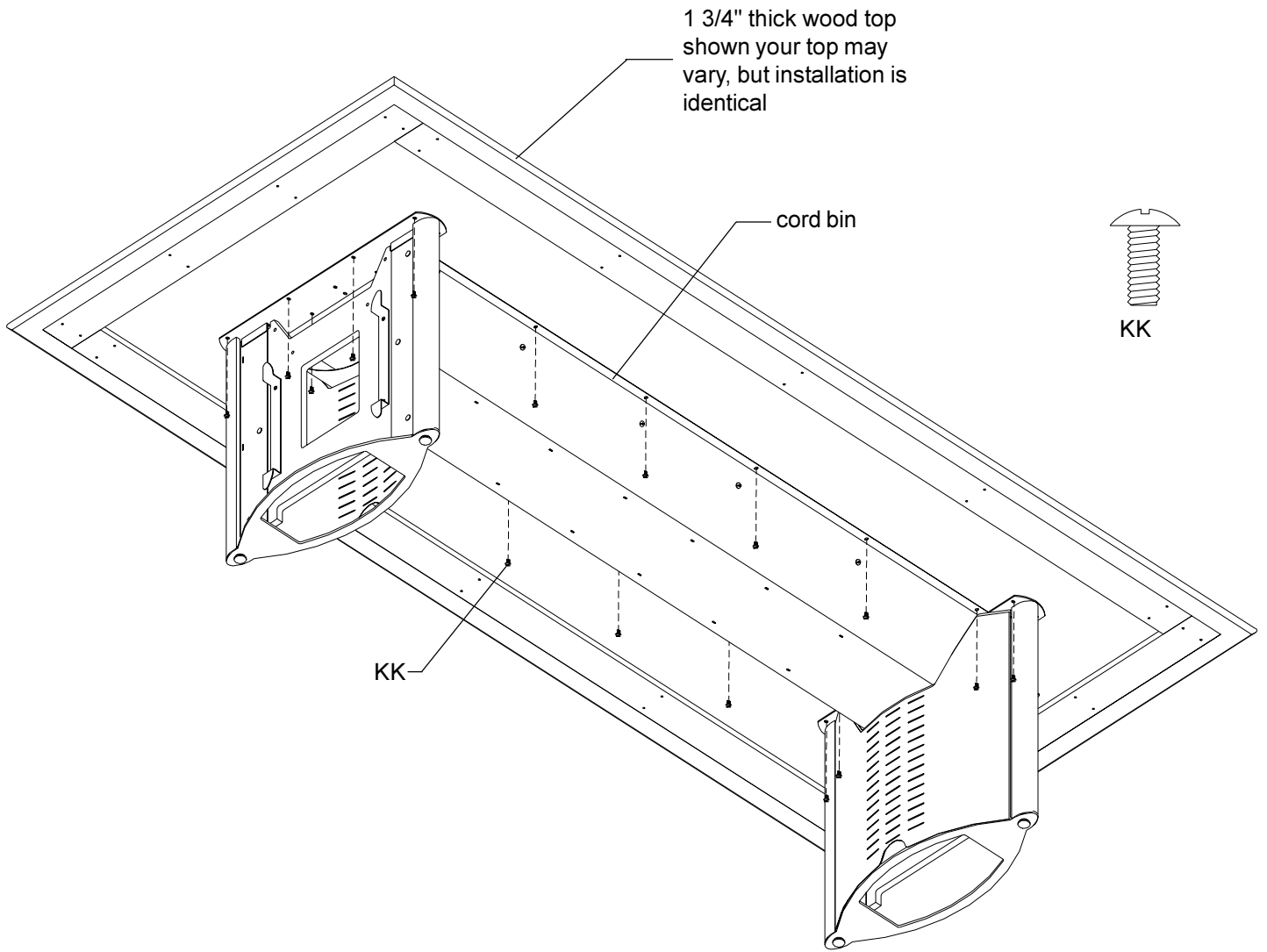
**Head of carriage bolts are on bin flanges. Nuts/washers are on 'spline'.**

**C)** Position other end of bin on to the spline in the same manner. Loosely attach (4) carriage bolts (AA), washers (GG) and nuts (BB).

**D)** Position/align both pedestals so that they are parallel with each other (this will ensure that the bin won't bind when nuts are tightened). If necessary, pull up on bin so the (2) long flanges (with mounting holes) are flush with pedestal top plate. Tighten (4) nuts.

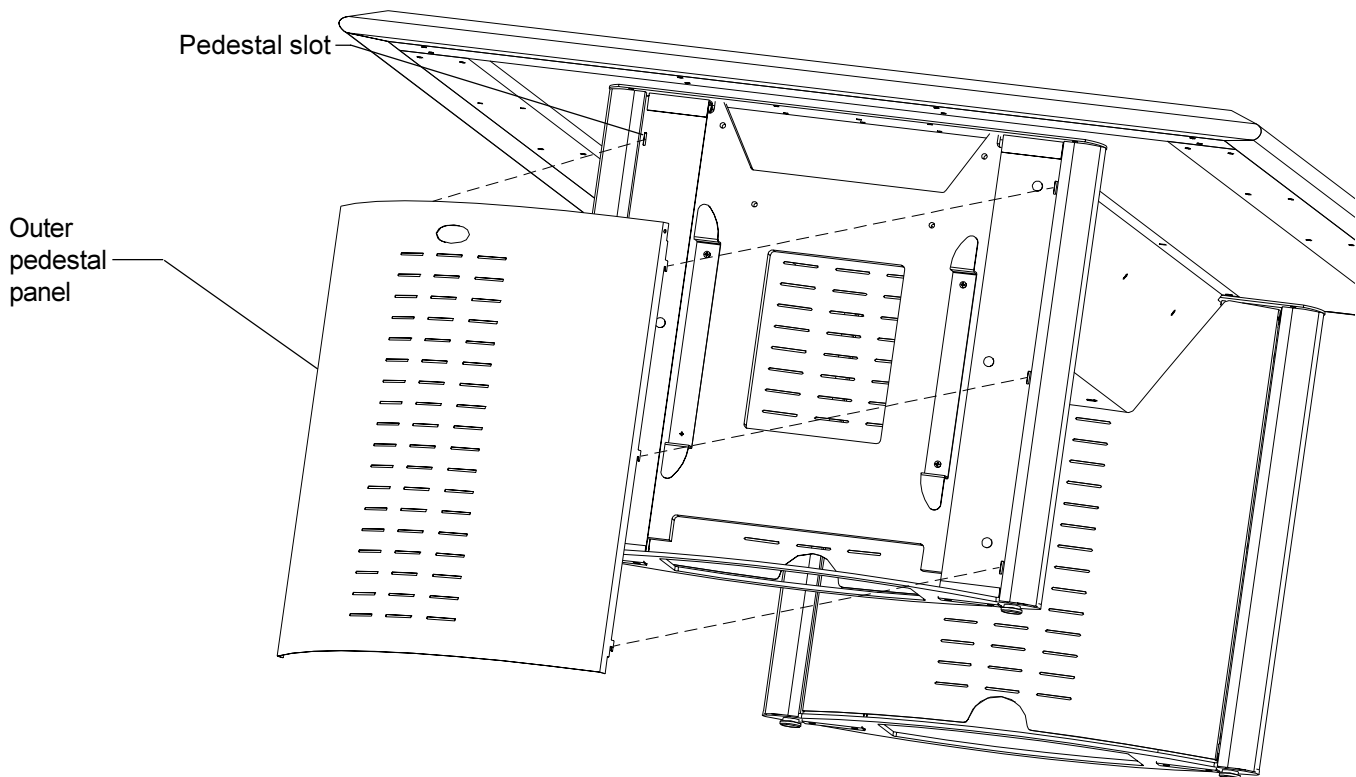
**E)** The gusset hardware can be tightened at this point. Be sure that the gusset top flange is pulled up to the bottom of the 2 long flanges of the bin prior to tightening gusset hardware.





## STEP 10

With assistance, carefully place wood top onto base assembly. Align cord bin and pedestal mounting holes with wood top inserts from underneath, attach with the screws (KK).



### STEP 11

Attach (2) Outer pedestal panels to Head pedestals by hooking panel tabs into pedestal hook slots.

#### Leveling Table:

If necessary, table assembly level can be adjusted with wrench. Place wrench on glide shoulder nut and turning left/right for up/down travel.

**Bretford**  
11000 Seymour Avenue  
Franklin Park, IL 60131  
TEL: 847.678.2545  
800.521.9614  
FAX: 847.678.0852  
800.343.1779

**Bretford Ltd.**  
Technology House  
2 Etongate, 110 Windsor Road  
Slough, Berkshire SL1 2JA England  
TEL: 01753 53 99 55  
FAX: 01753 53 94 78

[www.bretford.com](http://www.bretford.com)

Part#031-6190  
Rev. 07.26.04 CH