

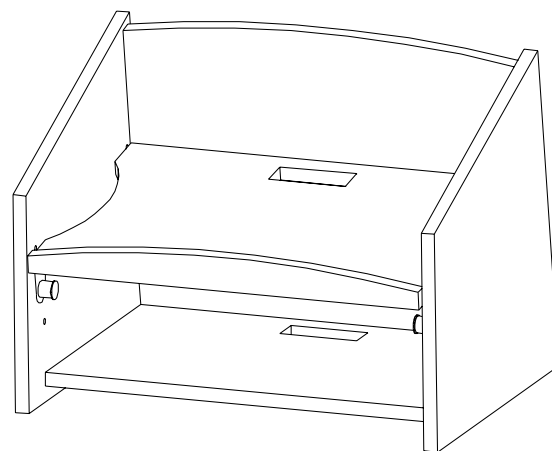


**BRETTFORD**

**PRESENTATION ENVIRONMENTS®**

**TABLE TOP LECTERN**

Assembly Instructions



**PARTS LIST**

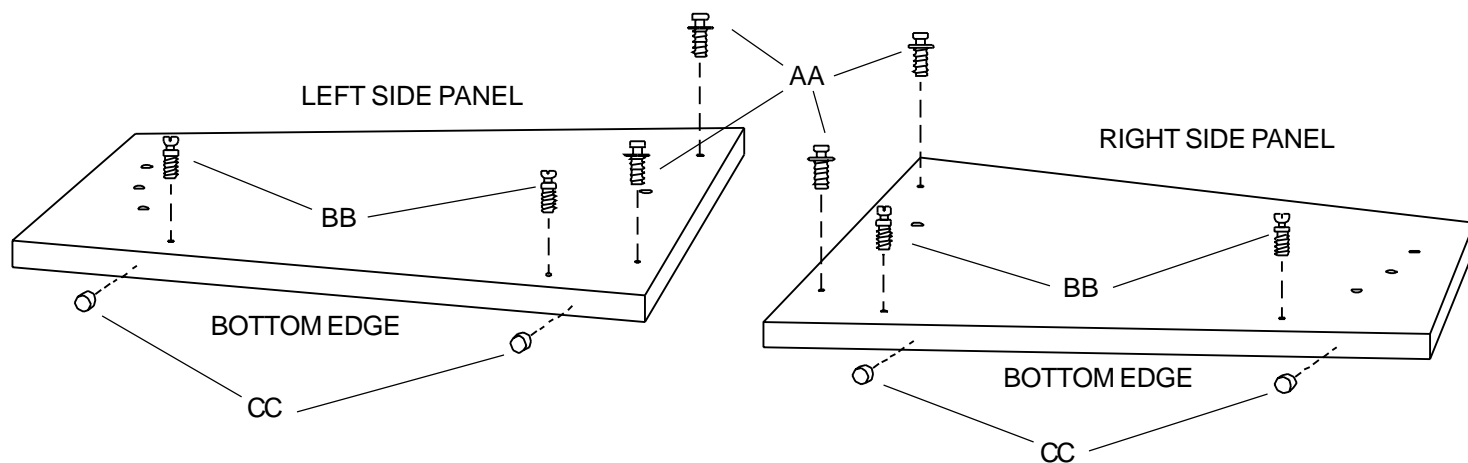
Qty	Description
1	Right Side Panel
1	Left Side Panel
1	Back Panel
1	Top Panel
1	Bottom Panel
2	Roller Brackets
2	Top Panel Brackets w/ mounting hardware

**HARDWARE LIST**

Ref	Qty	Description
AA	4	#14SMT x 1/2" Mod-eez Posts
BB	4	RaFix Connect Bolts
CC	4	Rubber Bumpers
DD	4	#6 x 5/8" Phillips Pan Head Screws

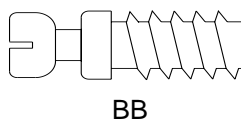
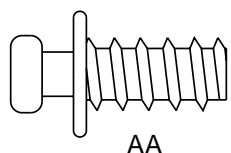
**TOOLS REQUIRED**

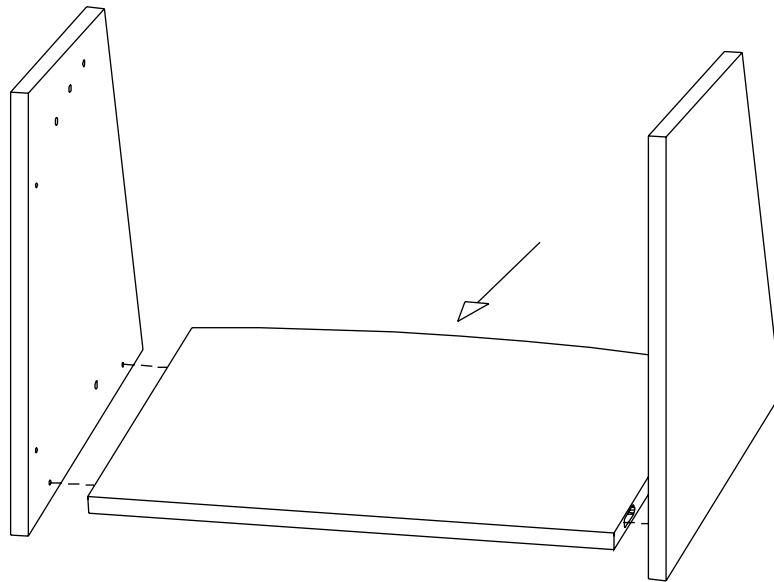
Phillips Screwdriver



**STEP 1**

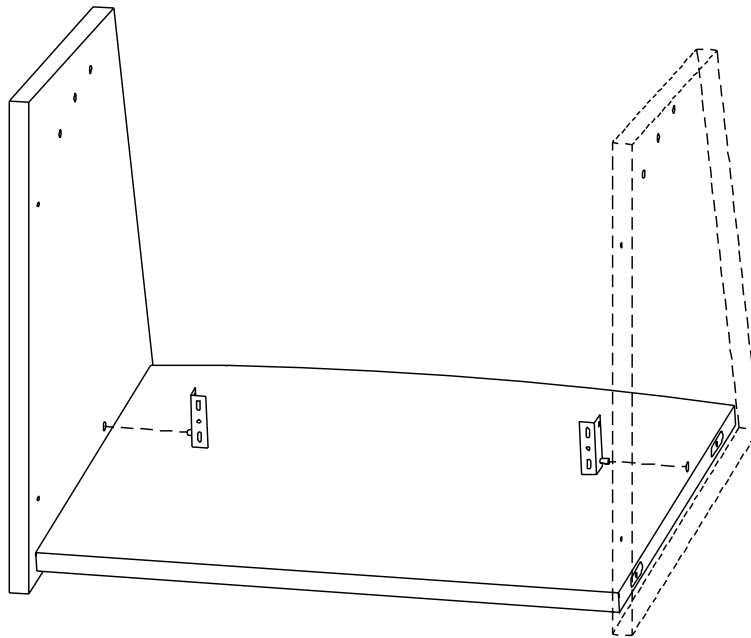
Lay each side panel down with holes facing up as shown. Insert Mod-eez posts (AA) into the outer edge holes. Insert RaFix bolts (BB) into the bottom edge holes. Position 2 rubber bumpers (CC) on each of the bottom edges of the side panels in the approximate locations shown.





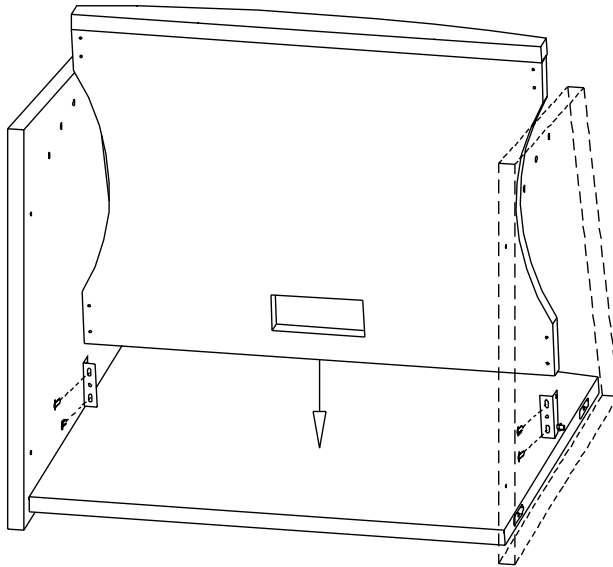
### STEP 2

Align the back panel with the mod-eez posts in the side panels. Give the back panel a good tap to make sure the posts are **FIRMLY SEATED** into each side panel.



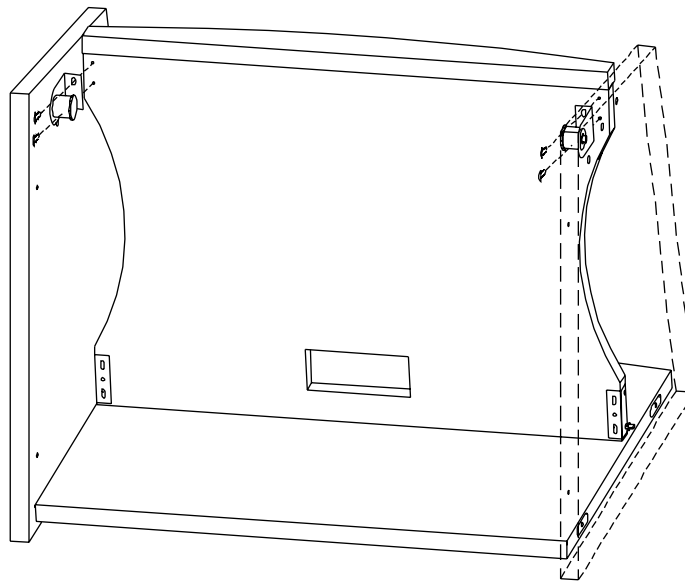
### STEP 3

Position the sides and back panel assembly as shown. Insert the top panel brackets into each side panel as shown.



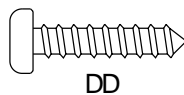
#### STEP 4

Slide the top panel in front of the brackets as shown. Secure the brackets to the top panel with hardware enclosed with brackets.



#### STEP 5

Attach the roller brackets to the top panel as shown using screws (DD). Once roller brackets are attached, the top panel may be positioned into one of the three holes in the side panel. Just simply pull the roller out and move shelf up or down.



DD

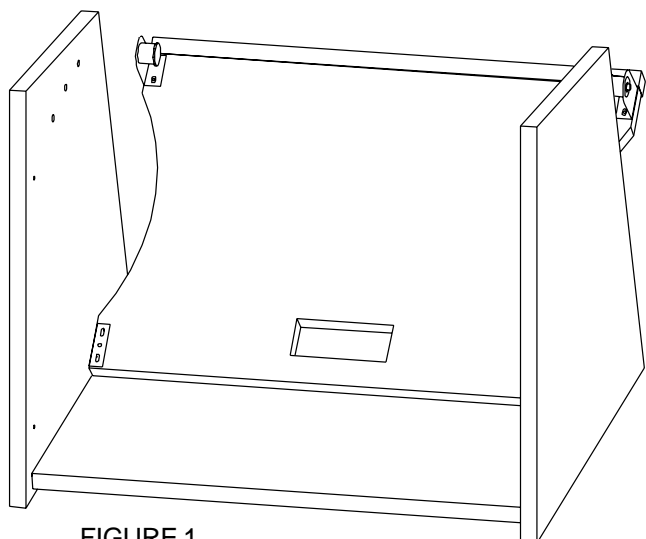


FIGURE 1

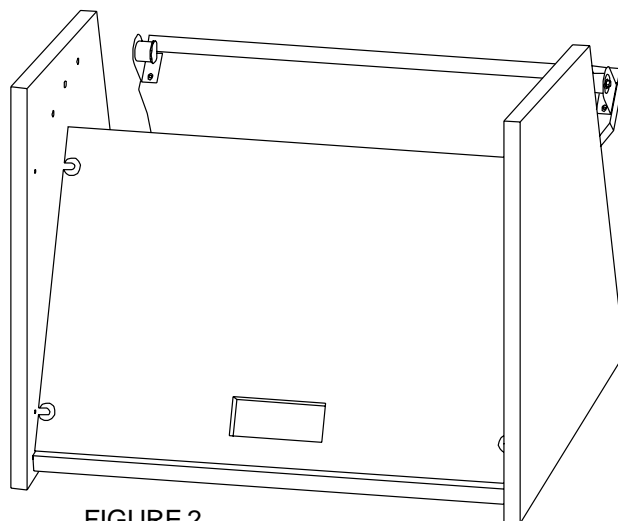


FIGURE 2

### STEP 6

Tilt the top panel back as shown in **FIGURE 1**. Tilt the bottom panel so that the bottom inserts fit into the RaFix bolts as shown in **FIGURE 2**. Once the bottom panel is seated into all the bolts, tighten the bolts to secure panel in place.

**Bretford**  
11000 Seymour Avenue  
Franklin Park, IL 60131  
TEL: 847.678.2545  
800.521.9614  
FAX: 847.678.0852  
800.343.1779

**Bretford Ltd.**  
Technology House  
7 Lake End Court, Taplow  
Bucks SL6 0JQ England  
TEL: 01628 603558  
FAX: 01628 604923

Part #031-2905  
11.22.97 CH

[www.bretford.com](http://www.bretford.com)

Presentation Environments® is a registered trademark of Bretford Manufacturing Inc.