

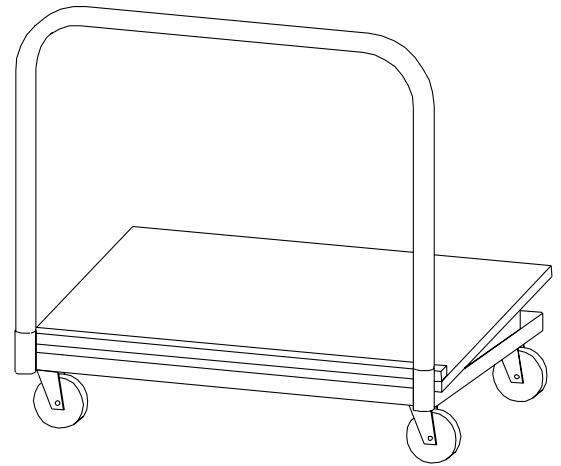


BRETFORD

PRESENTATION ENVIRONMENTS®

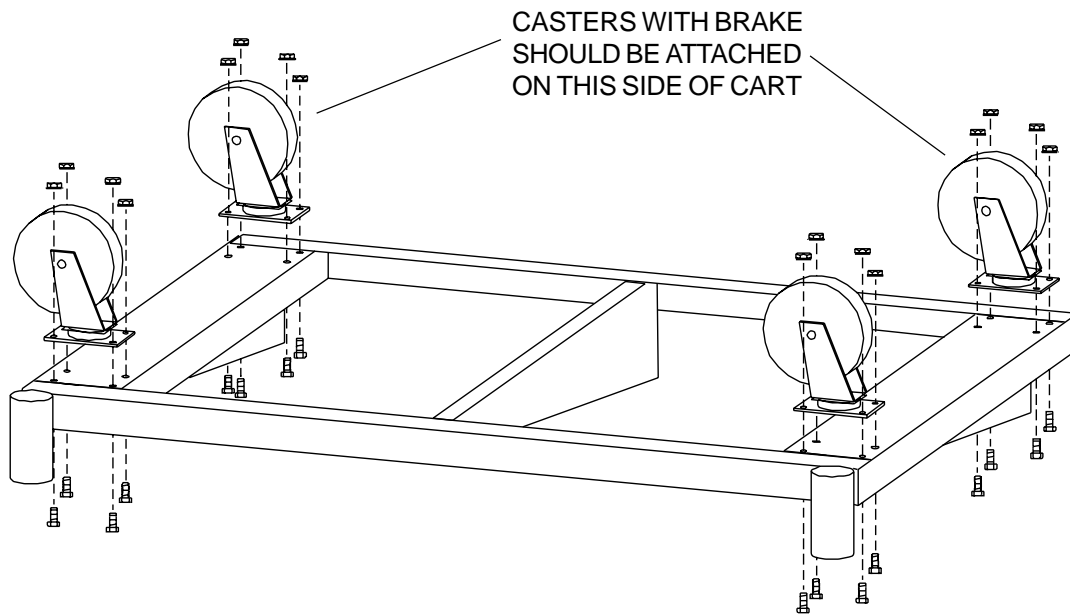
TRANSPORT CART

Assembly Instructions



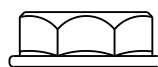
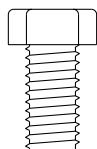
Each package contains:

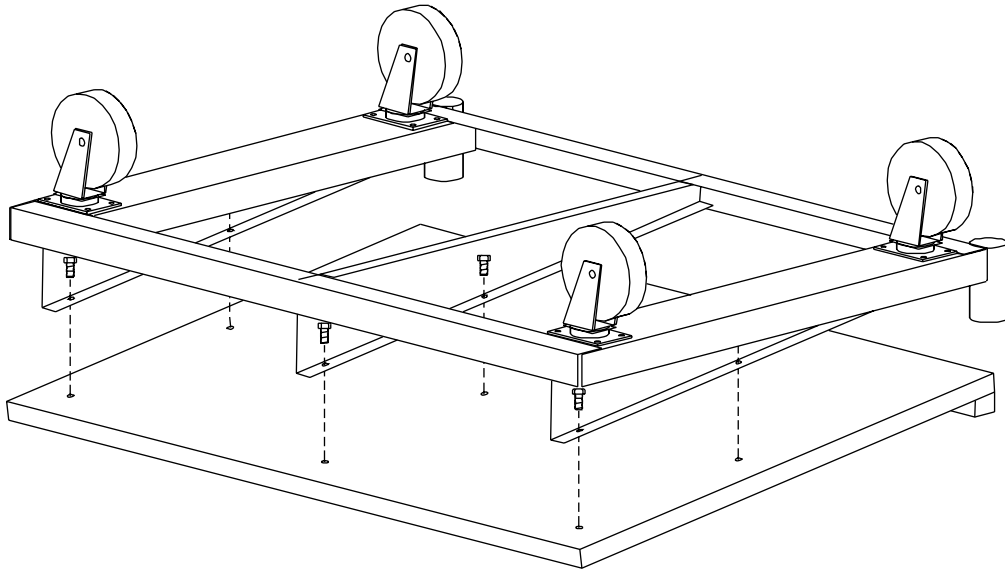
- 1 Cart Assembly
- 1 Wood Top
- 1 Handle
- 2 5" Plate Casters w/ Brake
- 2 5" Casters w/o Brake
- 24 5/16-18 x 5/8" Hex Head Bolts
- 16 5/16-18 Serrated Nuts
- 1 Hex Wrench



STEP 1

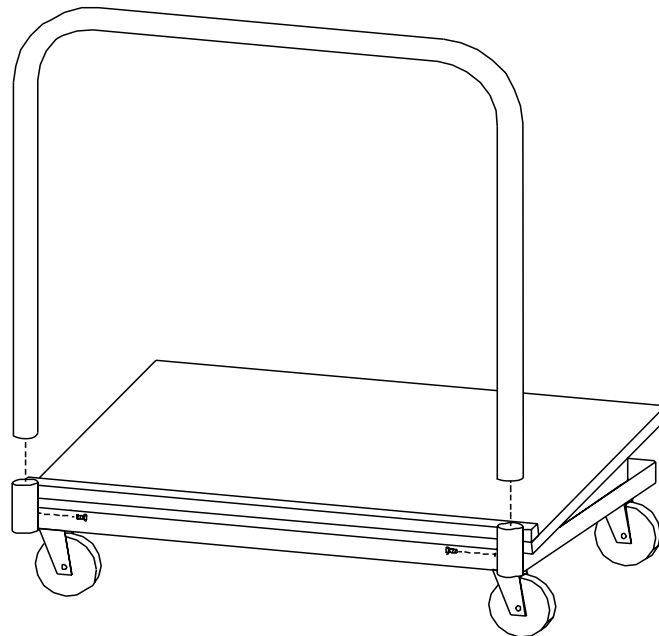
Lay the cart assembly on a carpeted surface with bottom facing up. Align a caster in each corner and secure in place with the 5/16-18 x 5/8" bolts and 5/16-18 nuts as shown.





STEP 2

Lay the wood top down with holes facing up. Align the cart assembly with the wood top holes. Secure top and cart together with the 5/16-18 x 5/8" bolts.



STEP 3

Slide the handle into the holes on the side of the cart assembly. Secure in place near the bottom with the 5/16-18 x 5/8" bolts as shown.

Bretford
11000 Seymour Avenue
Franklin Park, IL 60131
TEL: 847.678.2545
800.521.9614
FAX: 847.678.0852
800.343.1779

Bretford Ltd.
Technology House
7 Lake End Court, Taplow
Bucks SL6 0JQ England
TEL: 01628 603558
FAX: 01628 604923