



# TRAPEZOID TABLE (96 & 80)

## Assembly Instructions



### Parts List

<u>Qty.</u>	<u>Part No.</u>	<u>Description</u>
1	SA5917	80" Worksurface
1	SA5918	96" Worksurface
4	010-3511	Corner Tie
4	017-0686	Bottom Leg
2	017-0687	Right Top Leg
2	017-0688	Left Top Leg
4	030-0851	3/8-16 Glide Insert
1	015-0045	5/16-18 Glide
1	010-3638	Bin Glide Bracket
1	010-3637	Bin Door
1	010-3635	Bin Top
1	010-3636	Bin Bottom

### Hardware List

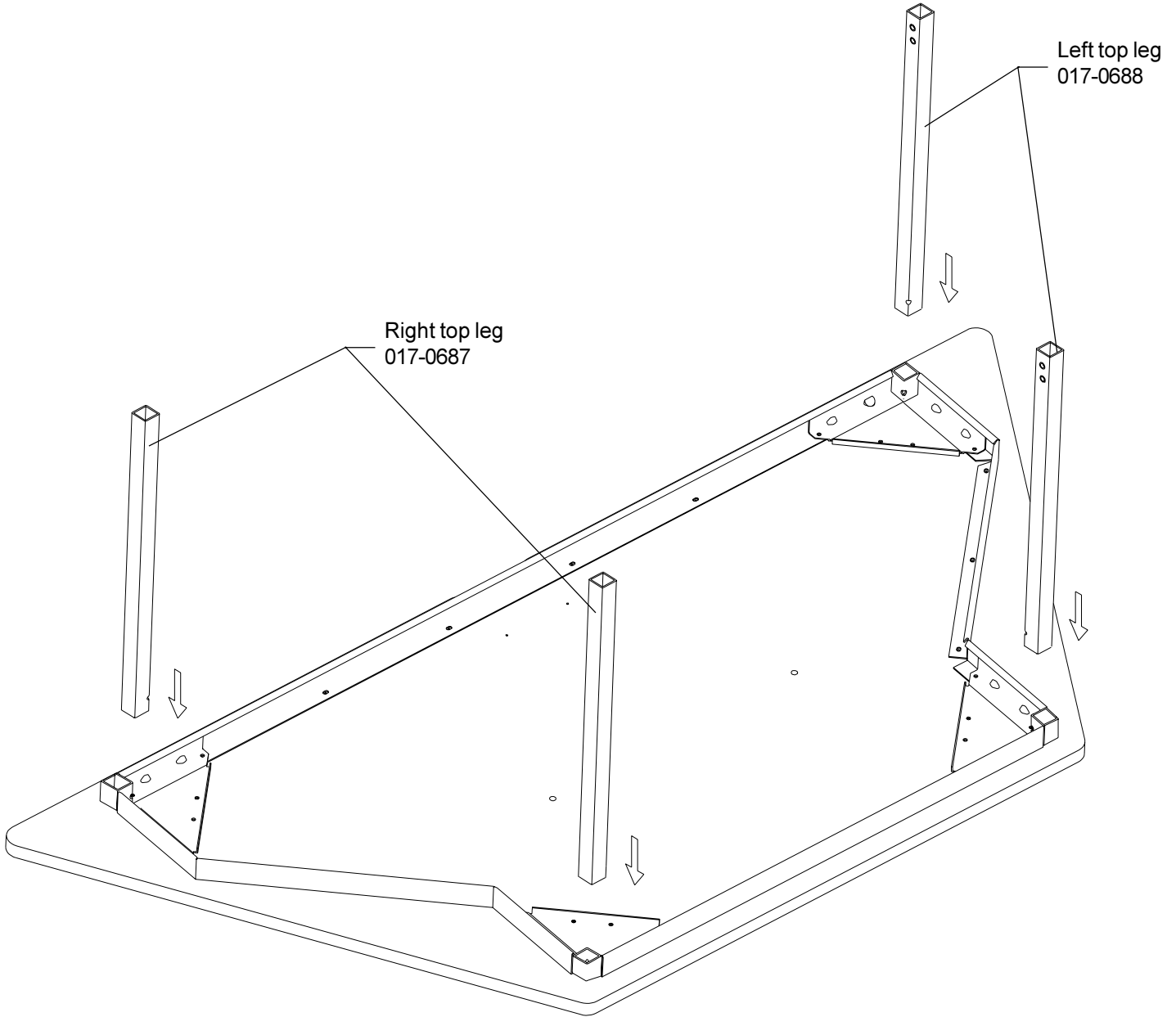
<u>Qty.</u>	<u>Part No.</u>	<u>Description</u>
8	030-0396	3/8-16 x 1/2" Set screw
2	030-0357	#10-32 Flanged Hex Serrated Nut
2	030-0402	#10-32 x 5/8" Black Combo Head Screw
4	030-0852	5/16-18 x 1-1/4" Hex Flange Cap Screw
4	030-0453	#12 x 3/4 Philips Truss Head screw
12	030-0302	#8-32 x 3/8 Combo Truss Head
12	02236	#8-32 Serrated Nut
1	030-0411	5/16 Serrated Nut

### Tools Required

Philips Screwdriver  
 Allen Wrench  
 Adjustable Wrench

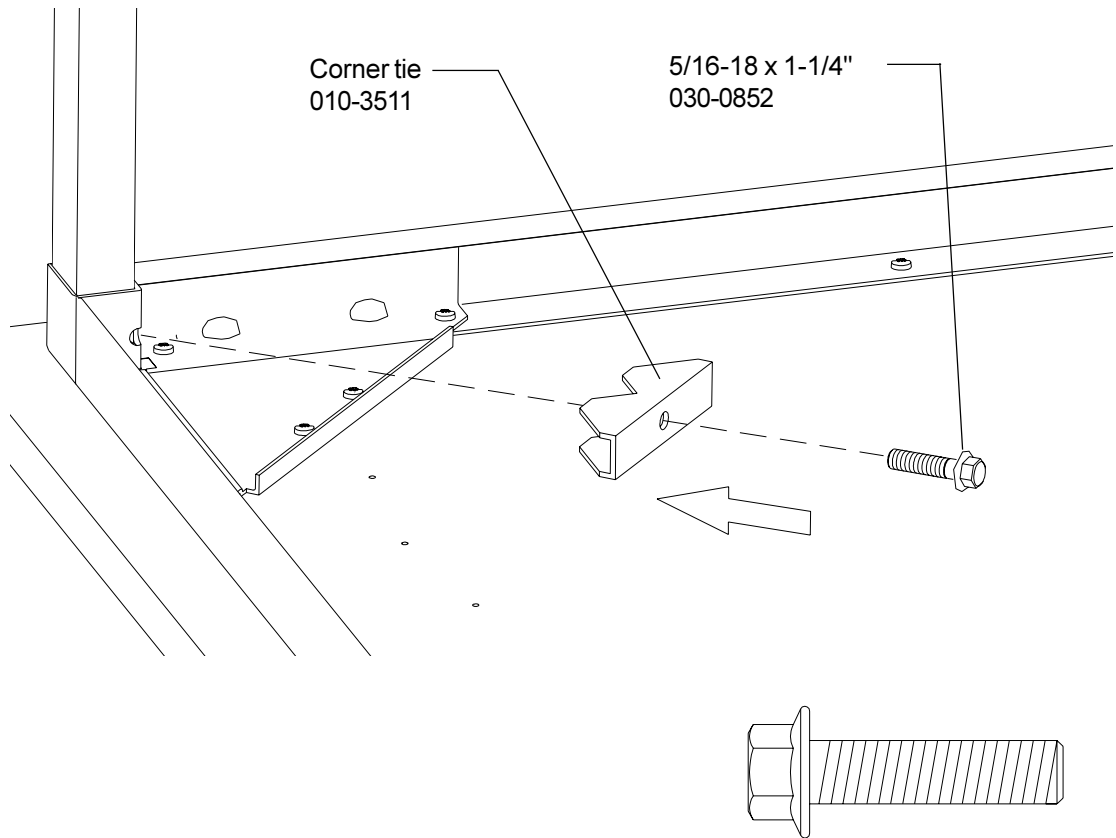
***SAFETY WARNING***

**Note: TWO PERSON  
ASSEMBLY REQUIRED**



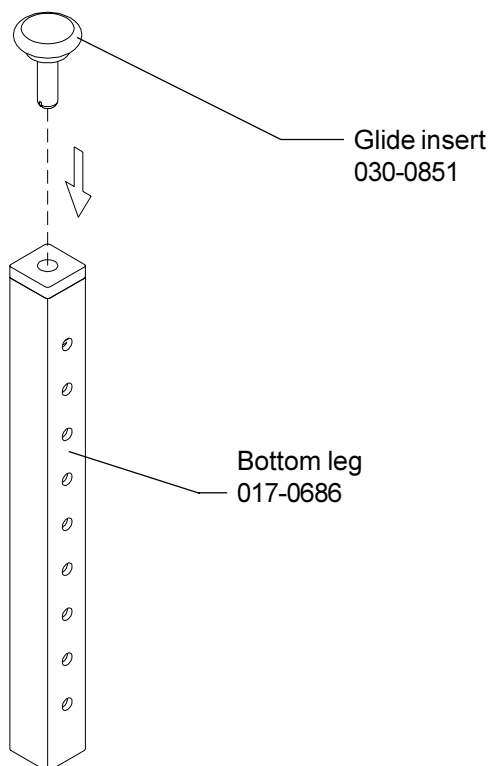
**Step 1**

Lay wood top on a carpeted surface with holes facing upward. Insert the legs onto wood top Tubes with holes facing in as shown.



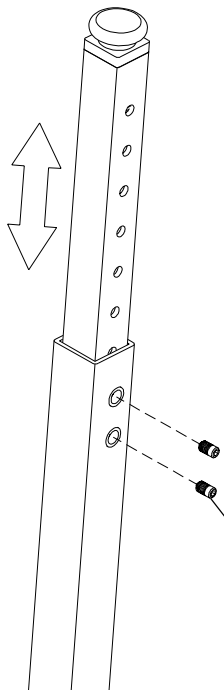
## Step 2

Attach legs with 5/16-18 x 1-1/4" Hex Flange Cap screws (030-0852) and corner ties (010-3511). Tighten all screws.



## Step 3

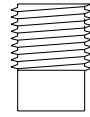
Screw glides (030-0851) into bottom legs (017-0686). Glides should be fully installed into legs so that the entire stem is inside of leg.



### Step 4

Position holes in legs so that they face each other. Insert bottom legs into top legs. Set desired height and insert 3/8-16 x 1/2" (030-0396). Set screws into legs and tighten with Allen wrench.

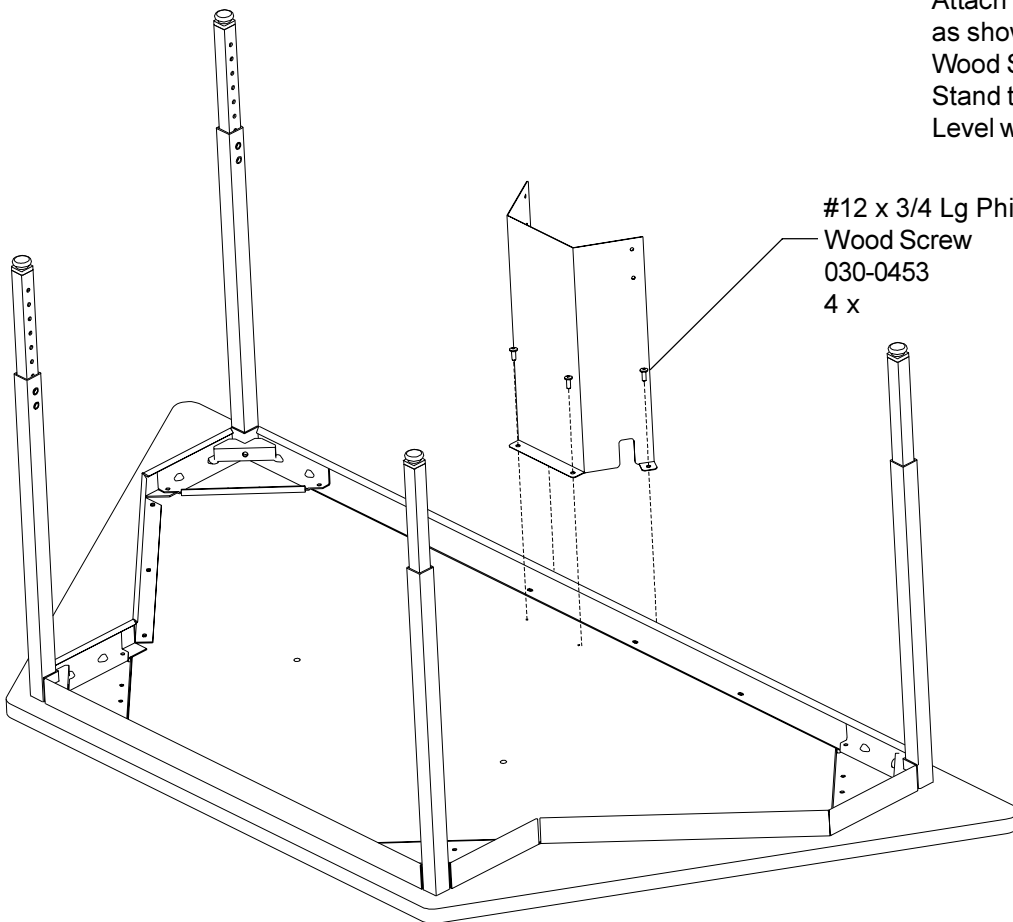
3/8-16 x 1/2"  
Set screw  
030-0396

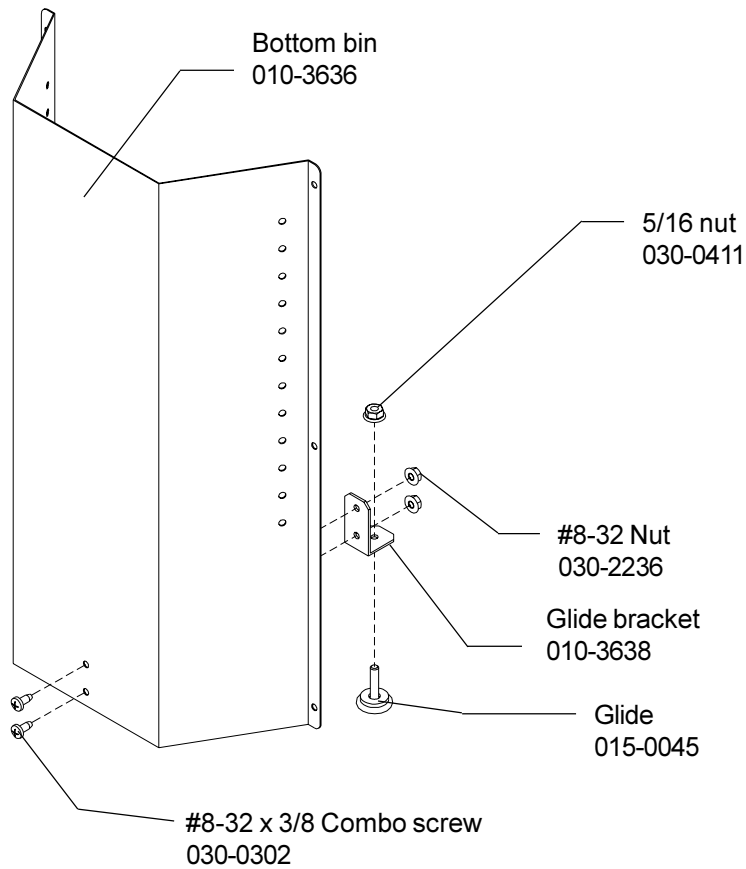


### Step 5

Attach the Top bin (010-3635) to the table as shown, using #12 x 3/4 Lg Phillips Wood Screw. Stand the unit upright. Level work surface with adjustable glides.

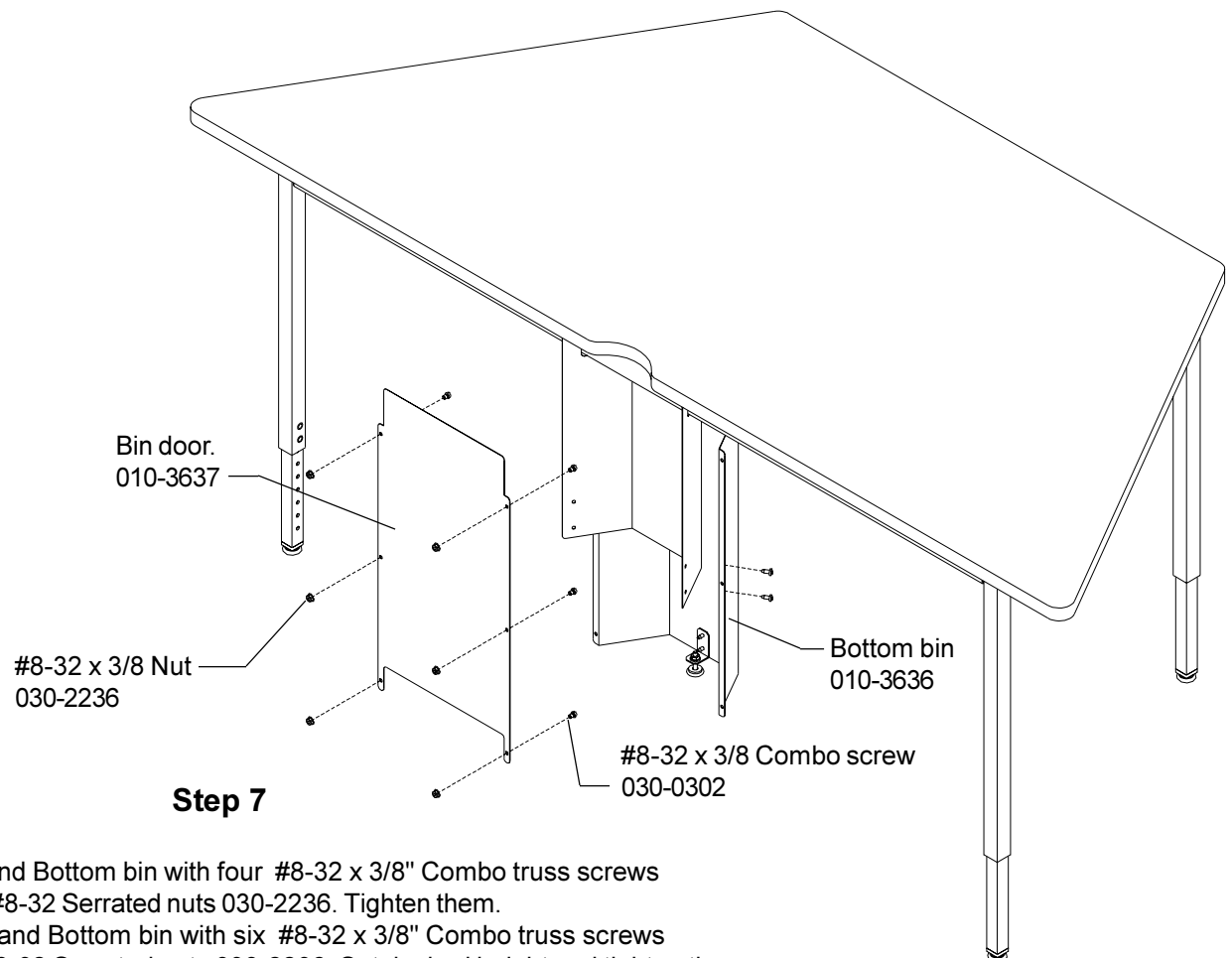
#12 x 3/4 Lg Phillips  
Wood Screw  
030-0453  
4 x





### Step 6

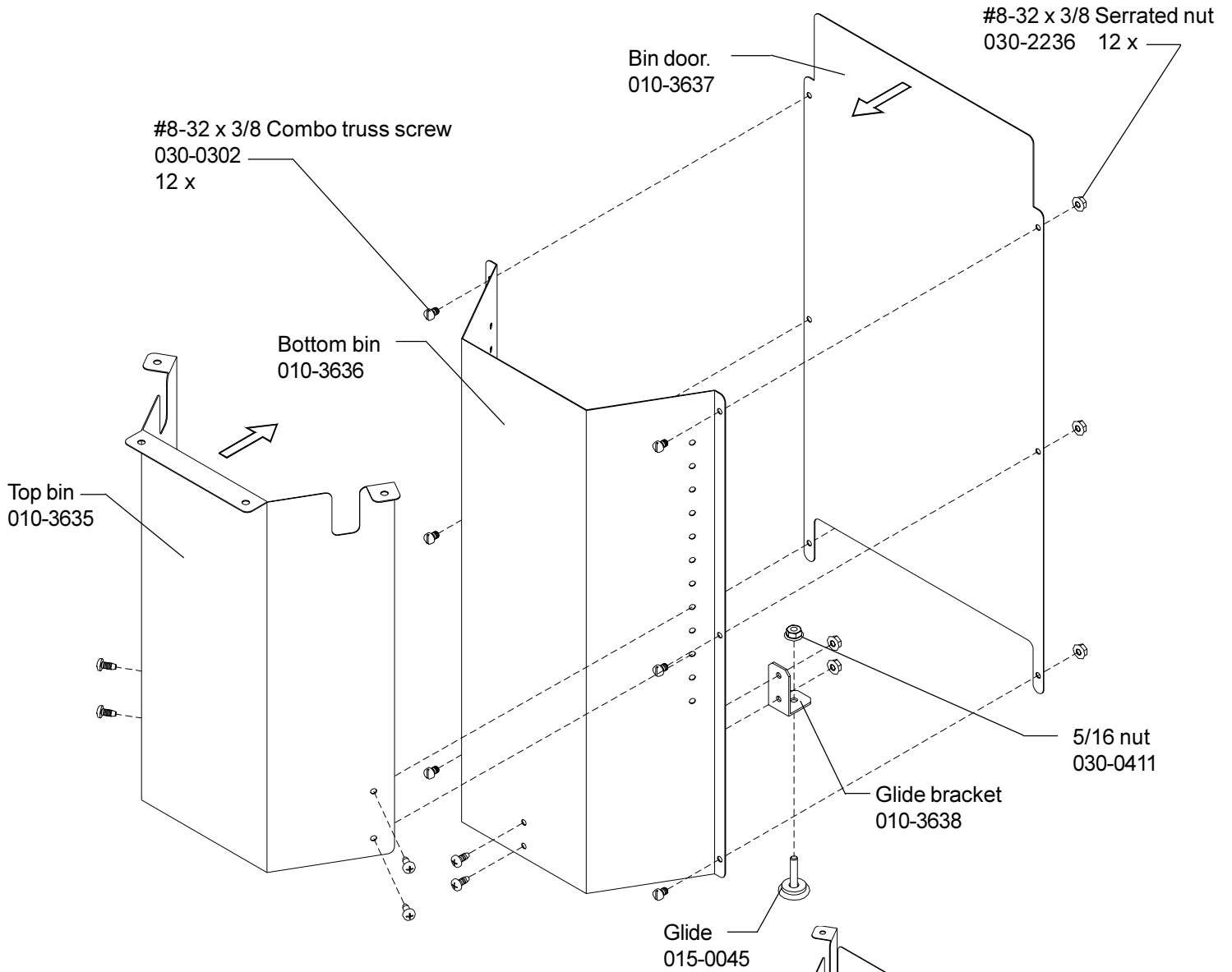
Attach Glide bracket (010-3638) to the Bottom bin (010-3637) with two #8-32 x 3/8" Combo truss screws 030-0302 and two #8-32 Serrated nuts 030-2236. Screw the glide into the glide bracket. Use glide to support wire bin.



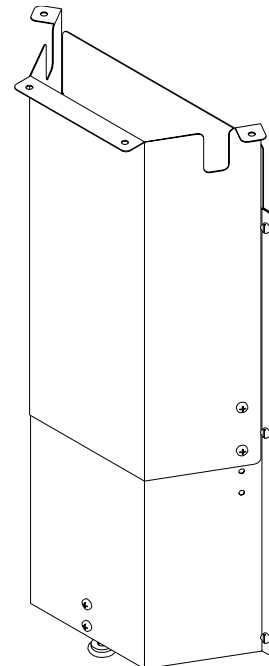
### Step 7

Assemble Top bin and Bottom bin with four #8-32 x 3/8" Combo truss screws 030-0302 and four #8-32 Serrated nuts 030-2236. Tighten them.  
Assemble Bin door and Bottom bin with six #8-32 x 3/8" Combo truss screws 030-0302 and six #8-32 Serrated nuts 030-2236. Set desired height and tighten them.  
Adjust glide until floor surface is reached.

## Wire Bin - Exploded View



## Wire Bin - after assembly



**Bretford**  
 11000 Seymour Avenue  
 Franklin Park, IL 60131  
 TEL: 847.678.2545  
 800.521.9614  
 FAX: 847.678.0852  
 800.343.1779

**Bretford Ltd.**  
 2 Etongate  
 110 Windsor Road  
 Slough, Berkshire SL1 2JA England  
 TEL: 01753 216531  
 FAX: 01753 539478

[www.bretford.com](http://www.bretford.com)

Part#031-4812  
 Rev. 04.21.05 CH