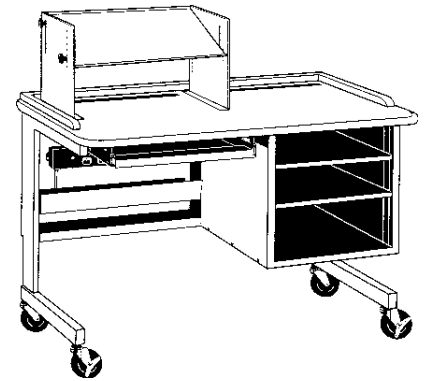




BRETFORD



**UCSAMS
ACCESSORY MONITOR SHELF
Assembly Instructions**

PARTS LIST

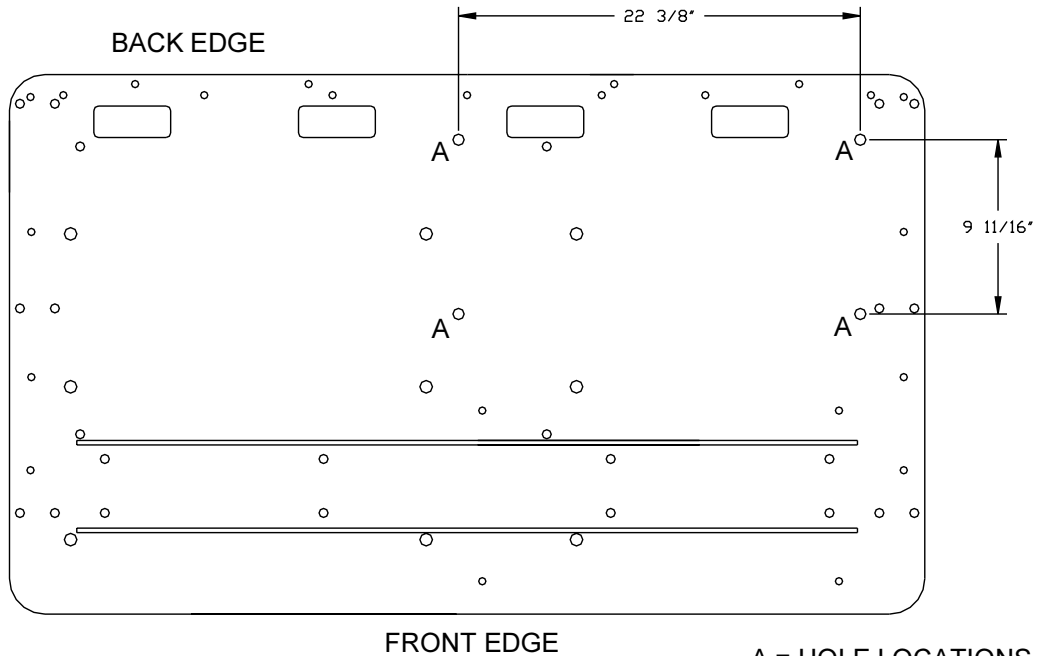
Qty	Part#	Description
1	010-2239	Left Panel
1	010-2238	Right Panel
1	010-2237	Shelf
1	031-3830	Template

HARDWARE LIST

Qty	Part#	Description
4	030-0295	1/4-20 x 1 1/2" Round Head Screws
8	030-0207	1/4-20 Serrated Nuts
4	030-0347	Knobs

TOOLS REQUIRED

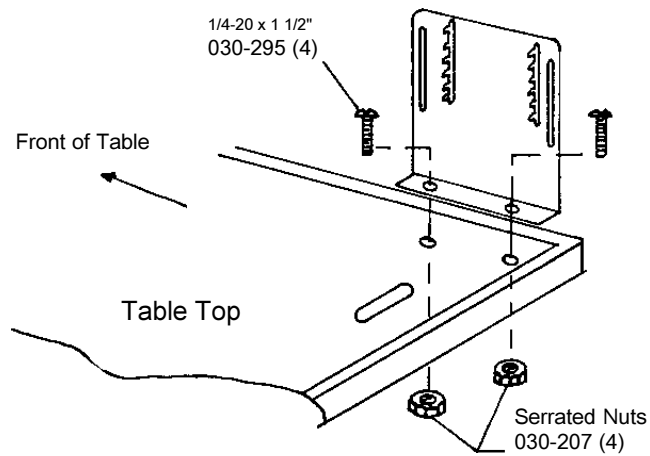
- Phillips Screwdriver
- Electric Drill
- 5/16" Drill Bit



A = HOLE LOCATIONS OF MONITOR SHELF (UCS900 TOP SHOWN)

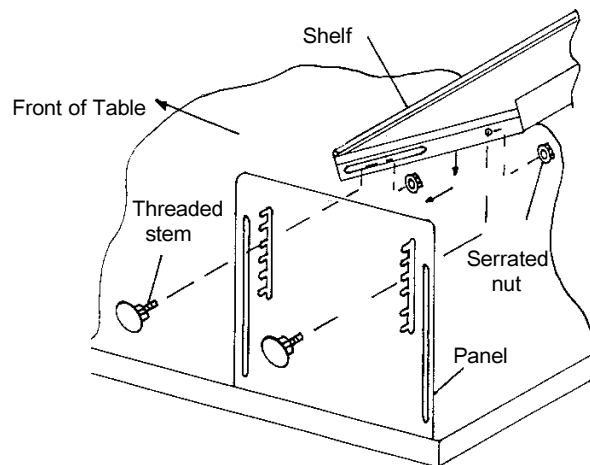
STEP 1

Locate the holes as shown and **CAREFULLY DRILL THRU WOOD TOP USING A 5/16" DRILL BIT.** NOTE: No matter which "UCS" model you have the hole locations and dimensions are the same.



STEP 2

Place panel onto table top. Make sure angled slots face front of table. Line up holes in panel with holes provided in shelf. Insert screw through panel and top. From the underside of table, tighten screws by using (4) serrated nuts, (2) each panel. **Tighten securely.**



STEP 3

Line up shelf with slots to the front of the table. Take one knob, push threaded stem through panel & shelf bracket. (Knob to the outside.) Tighten with 1/4-20 serrated nut, repeat procedure for other side panel. Make sure table top is clear before adjusting the shelf. Once height has been determined, make sure threaded stem sits all the way into the slot, then tighten the knobs and nuts securely.

IMPORTANT: Whenever shelf is to be re-adjusted, make sure top is clear of all objects.

Bretford
 11000 Seymour Avenue
 Franklin Park, IL 60131
 TEL: 847.678.2545
 800.521.9614
 FAX: 847.678.0852
 800.343.1779

Bretford Ltd.
 Technology House
 7 Lake End Court, Taplow
 Bucks SL6 0JQ England
 TEL: 01628 603558
 FAX: 01628 604923

www.bretford.com

Part # 031-1033
 Rev. 06.21.00 YP