



BRETFORD

UCSKDMP-2

Keyboard Drawer with Mouse Pad Extender

Assembly Instructions

PARTS LIST

Qty	Part#	Description
1	010-2978	Keyboard Drawer
1	022-1825	Mouse Pad Assembly
2	25057	Accuride Slides
1	010-3387	Flat Plate

TOOLS REQUIRED

Phillips Screwdriver
Electric Drill
Number 29 Drill Bit
Adjustable Wrench

HARDWARE LIST

Ref	Qty	Part#	Description
AA	8	030-0168	#8 x 1/2" Phillips Screws
BB	1	030-0538	1/4-20 x 1 1/4" Carriage Bolt
CC	3	030-0428	5GA. Steel Washers 2 11/32" O.D.
DD	1	030-0733	1/4-20 Lock Nut
EE	4	030-0302	#8 - 32 x 3/8 Combo Truss Screw
FF	4	02236	#8 - 32 Nut
GG	2	030-0031	#10 - 32 x 5/8 Phillips Pan HD Screw
HH	2	030-0357	#10 - 32 Nuts
KK	2	012-0604	Bumper

RELEASING DRAWER FROM SLIDES

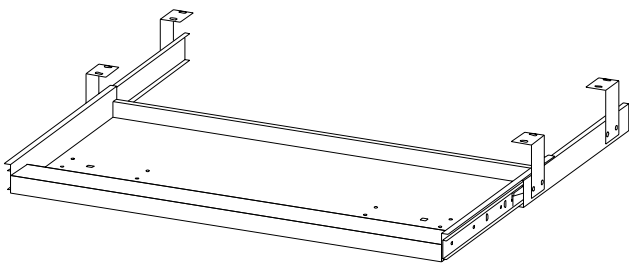


FIGURE 1

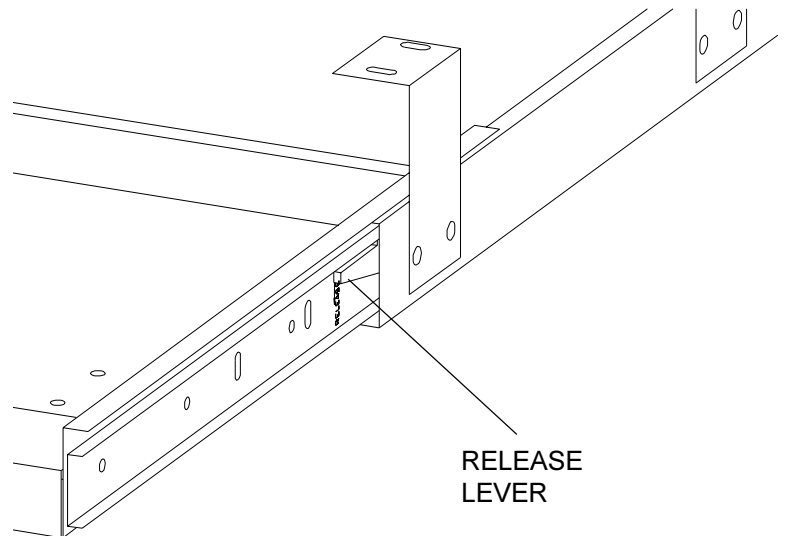
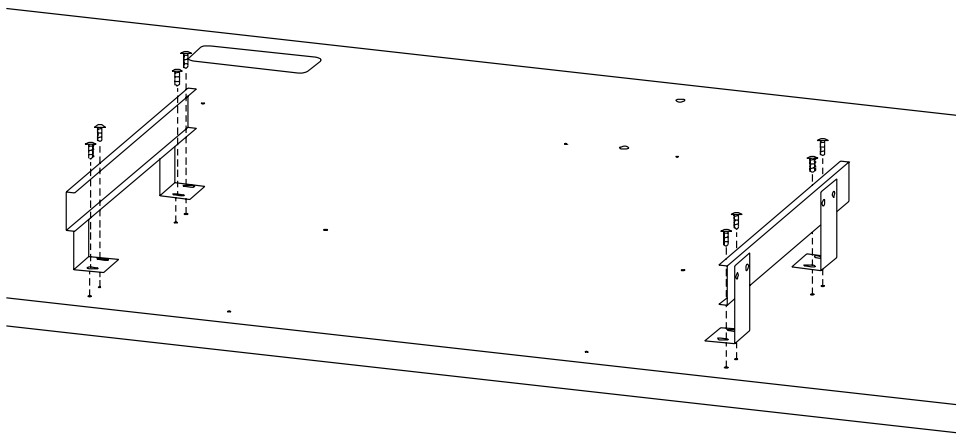


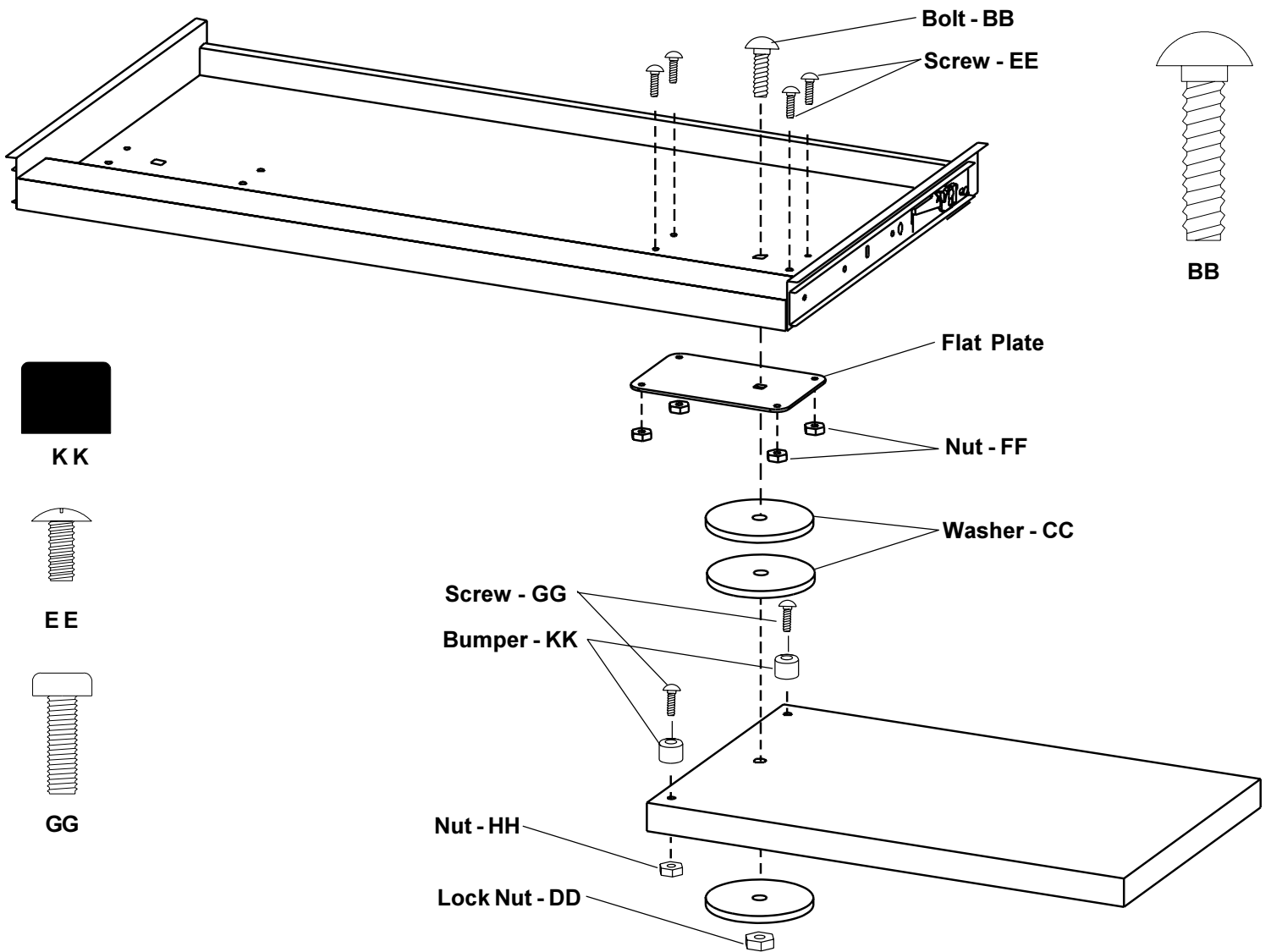
FIGURE 2

Slide the drawer out until it stops (**Figure 1**). Release the drawer by pushing down the release lever on the side of the slide (**Figure 2**).



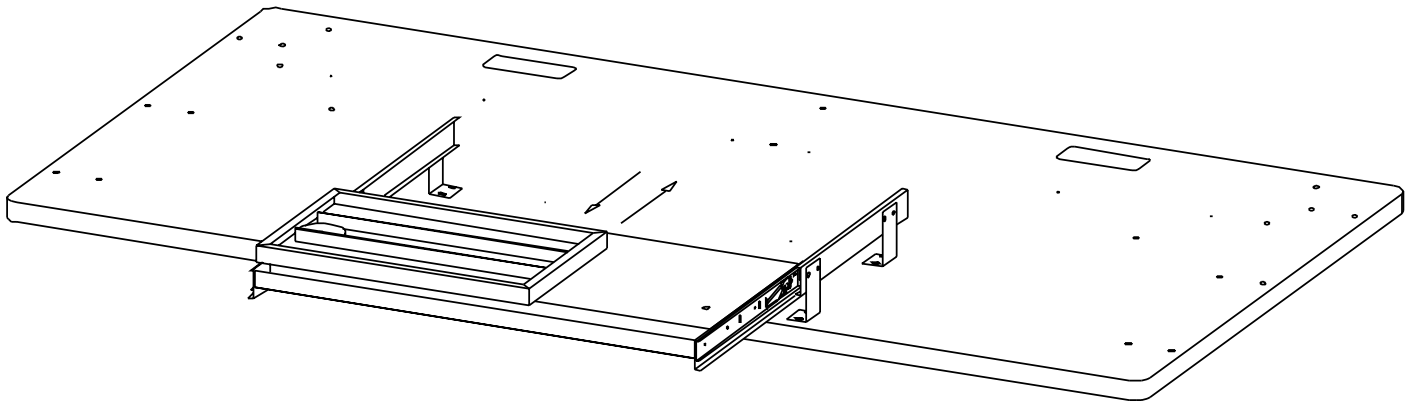
STEP 1

Turn unit over. **LOOSELY** attach slides onto top as shown. **NOTE:** If no holes are provided in top, pilot holes must be drilled. Slide the drawer onto the slides, position entire assembly onto top and mark hole locations. Drill pilot holes with a number 29 drill bit making sure not to drill completely through wood top.



STEP 2

Assemble the keyboard drawer, mouse pad and hardware together in the following order as shown.



STEP 3

Slide drawer in place and make any final adjustments to the slides.
Slide drawer out to expose mounting holes and tighten all hardware.

Bretford
11000 Seymour Avenue
Franklin Park, IL 60131
TEL: 847.678.2545
800.521.9614
FAX: 847.678.0852
800.343.1779

Bretford Ltd.
Technology House
7 Lake End Court, Taplow
Bucks SL6 0JQ England
TEL: 01628 603558
FAX: 01628 604923

www.bretford.com

Part #031-3723
05.10.00YP