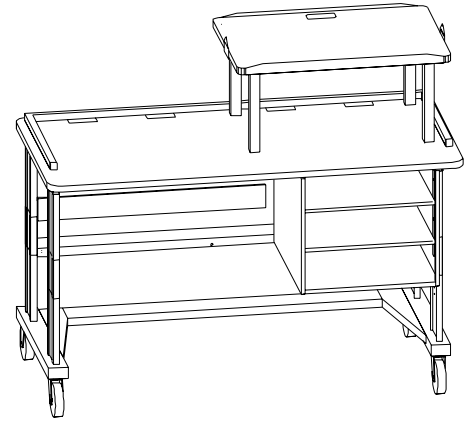




# BRETFORD

## UCSTVS UCS900 MONITOR SHELF Assembly Instructions



### PARTS LIST

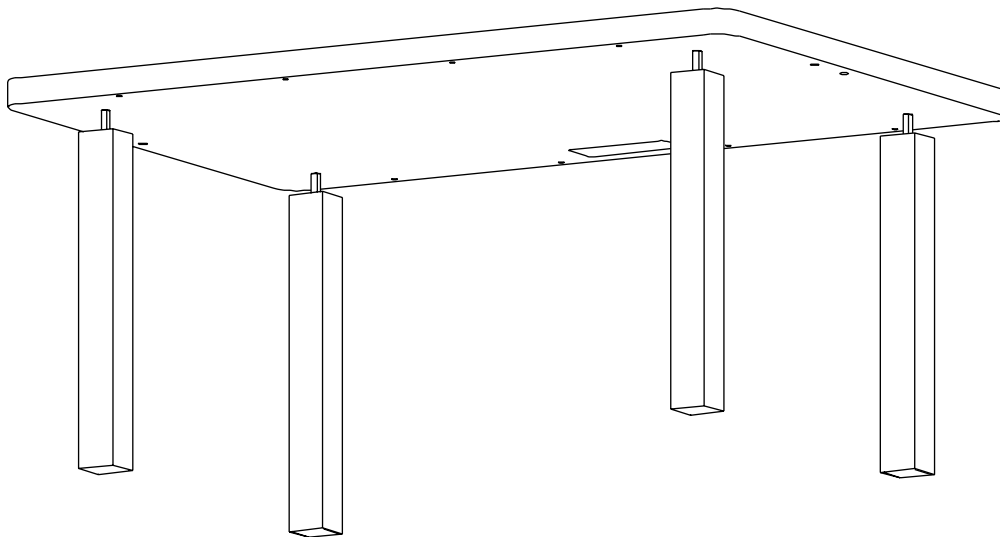
Qty	Part#	Description
2	010-2436	Safety Belt Bracket
2	010-2479	Shelf Rail
4	022-1757	Square Tube Post Assembly
1	SA1885	Monitor Shelf
1	SB	Safety Belt

### HARDWARE LIST

Qty	Part#	Description
8	030-0168	#8 x 1/2" Sheet Metal Screw
4	030-0304	1/4-20 x 5/8" Combo Truss Screw
4	030-0434	1/4-20 x 2" Round Head Screw

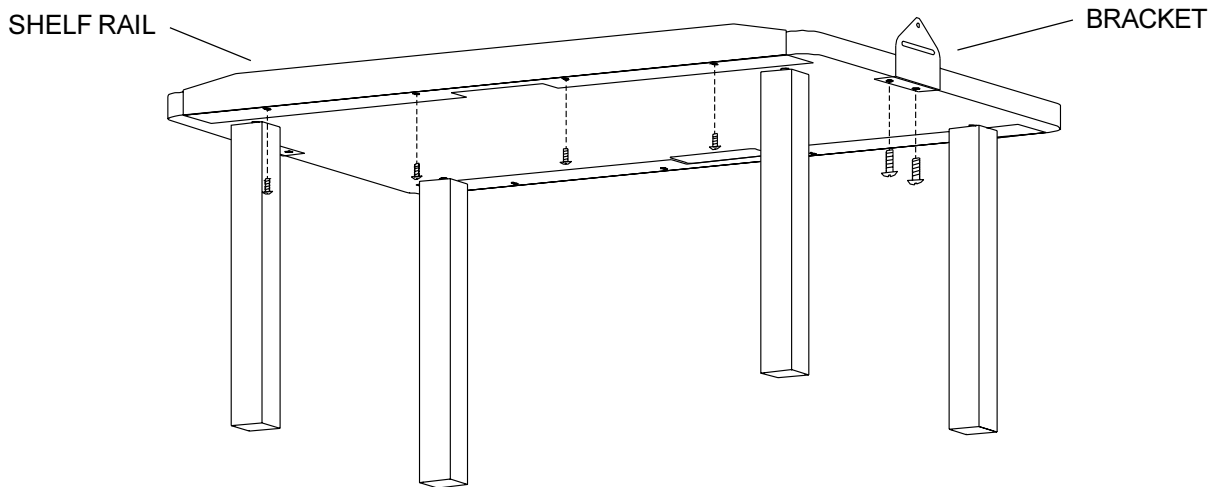
### TOOLS REQUIRED

Phillips Screwdriver  
Electric Drill  
5/16" Drill Bit



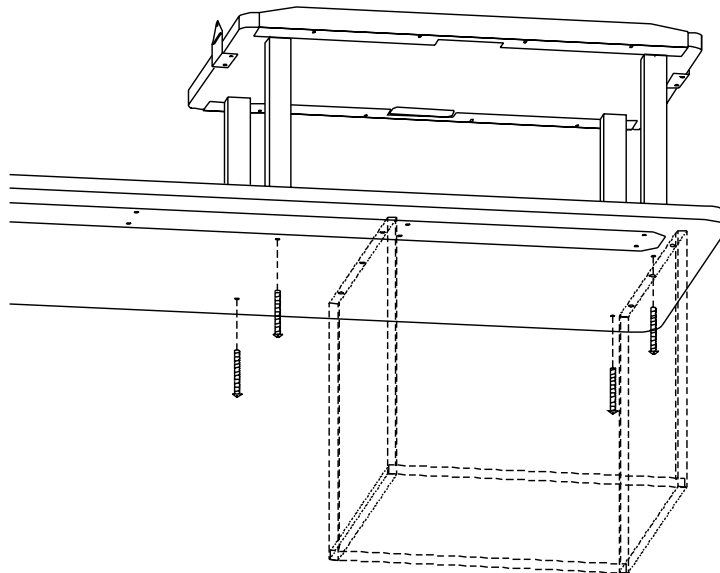
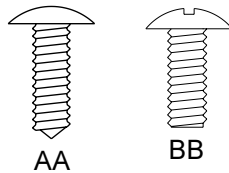
### STEP 1

Twist posts clockwise into the bottom of the monitor shelf. **NOTE:** Make sure sides of posts are parallel to shelf edges as shown in the picture. This will ensure that the rails will be attached properly.



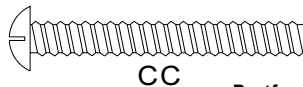
### STEP 2

Attach shelf rails and safety belt brackets to monitor shelf as shown. Screws (AA) are used to secure rails and screws (BB) are used to secure brackets.



### STEP 3

In order to drill the pilot holes on the UCS900 wood top, you must take out the cabinet shelves and remove the top 3 screws on the right side panel on the cabinet. Locate the 4 holes in the wood top and **CAREFULLY DRILL THRU THE WOOD TOP (5/16" drill bit)**. Position the monitor shelf posts over the holes and secure in place with screws (CC).



**Bretford**  
 11000 Seymour Avenue  
 Franklin Park, IL 60131  
 TEL: 847.678.2545  
 800.521.9614  
 FAX: 847.678.0852  
 800.343.1779

**Bretford Ltd.**  
 Technology House  
 7 Lake End Court, Taplow  
 Bucks SL6 0JQ England  
 TEL: 01628 603558  
 FAX: 01628 604923