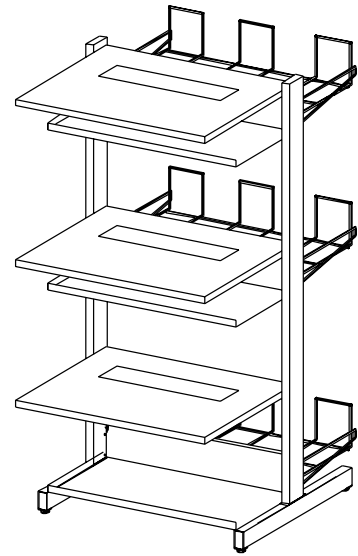




# BRETFORD

## UNI6 TRI - PRINTER STAND Assembly Instructions



### PARTS LIST

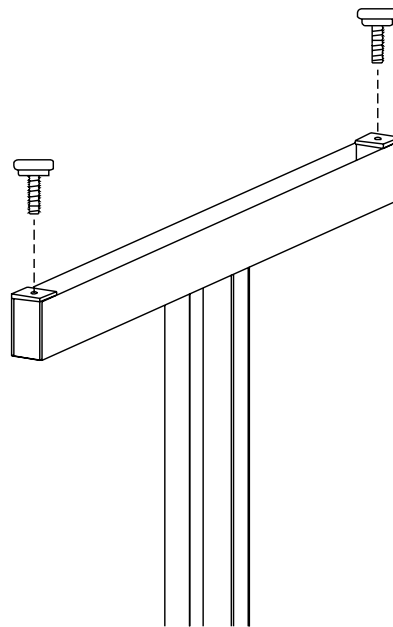
Qty	Part#	Description
3	010-2232	Printer Shelves w/cut out
3	010-2233	Paper Feed Shelves
3	014-0184	Wire Baskets
1	022-1643	Left Pedestal Assembly
1	022-1644	Right Pedestal Assembly

### HARDWARE LIST

Ref	Qty	Part#	Description
AA	4	015-0045	Floor Glides
BB	24	030-0325	1/4-20 x 1/2" Truss Screws

### TOOLS REQUIRED

Phillips Screwdriver



### STEP 1

Twist on the floor glides (AA) onto the bottom of both pedestals.

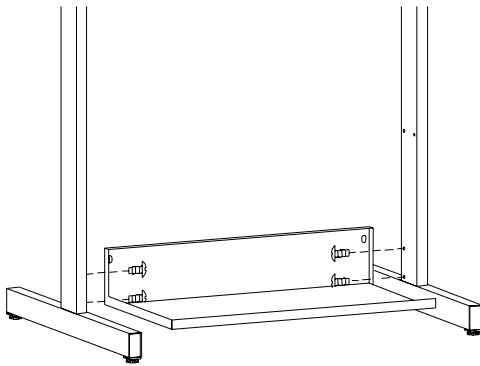


FIGURE 1

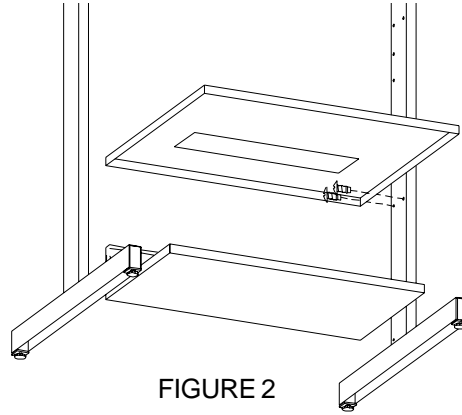


FIGURE 2

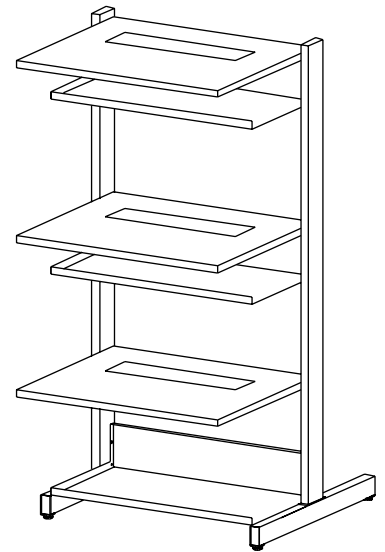
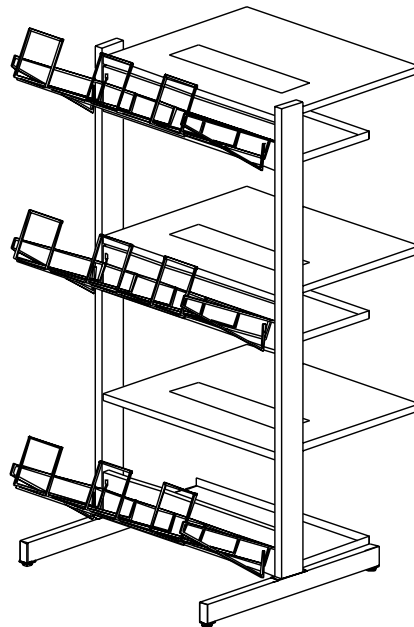


FIGURE 3

## STEP 2

Stand pedestals up facing each other so that the holes near the edge face the back. Starting at the bottom attach the paper feed shelf with screws (BB) 4 per shelf (making sure shelf faces front) as shown in **Figure 1**. Next attach the printer shelf (w/cut out) using the same screws (BB) as shown in **Figure 2**. Continue this procedure by alternating the shelves as shown in **Figure 3**.



## STEP 3

Hook wire baskets onto paper feed shelf by tilting and sliding into slot.

**Bretford**  
11000 Seymour Avenue  
Franklin Park, IL 60131  
TEL: 847.678.2545  
800.521.9614  
FAX: 847.678.0852  
800.343.1779

**Bretford Ltd.**  
Technology House  
7 Lake End Court, Taplow  
Bucks SL6 0JQ England  
TEL: 01628 603558  
FAX: 01628 604923

[www.bretford.com](http://www.bretford.com)

Part# 031-1713  
Rev. 09.24.97