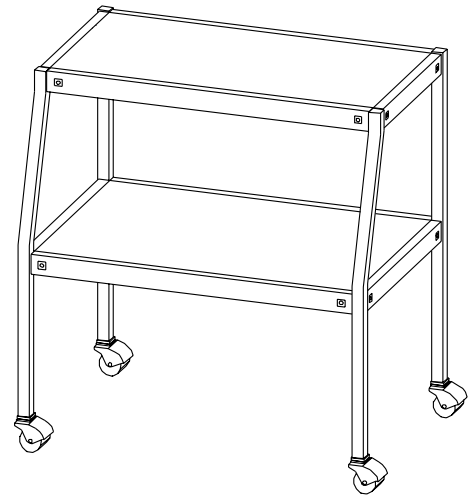




BRETFORD

VTR20 AUDIO VISUAL CART Assembly Instructions



PARTS LIST

| Qty | Part# | Description |
|-----|-----------|--------------------------|
| 1 | 010-1105 | Bottom Shelf |
| 1 | 010-1158 | Top Shelf |
| 1 | 022-0715 | Left Front Leg Assembly |
| 1 | 022-0716 | Right Front Leg Assembly |
| 2 | 022-0717 | Rear Leg Assemblies |
| 2 | 015-0002 | 4" Casters w/o Lock |
| 2 | 015-0003 | 4" Casters w/ Lock |
| | OR | |
| 4 | 015-0029 | 2" Ball Casters |

HARDWARE LIST

| Ref | Qty | Part# | Description |
|-----|-----|----------|------------------------|
| AA | 16 | 030-0300 | 5/8" Square Head Bolts |
| BB | 16 | 030-0002 | 5/16-18 Serrated Nuts |
| | 1 | 010-1106 | Hex Wrench |

TOOLS REQUIRED

Hex Wrench (Provided)
Rubber Mallet

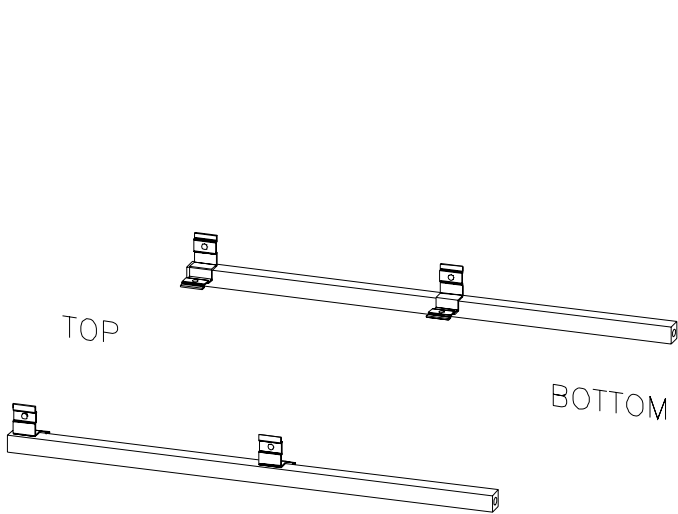


FIGURE 1

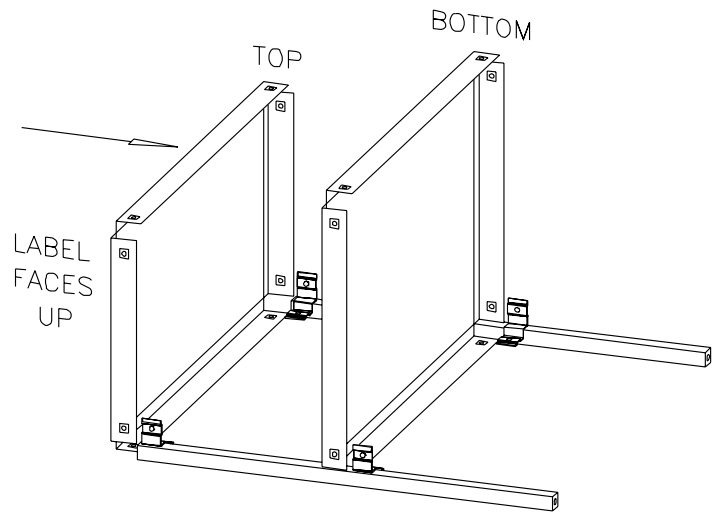
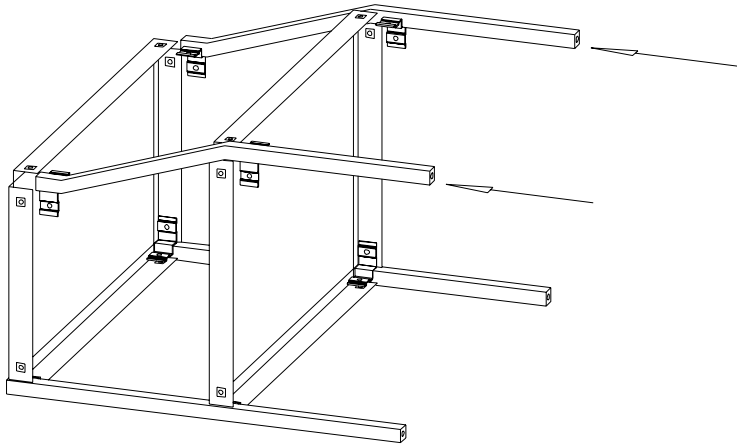


FIGURE 2

STEP 1

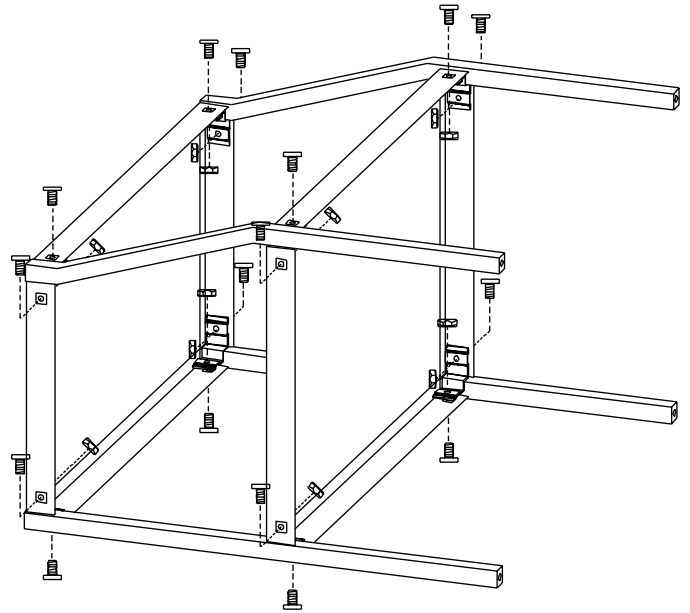
Lay the rear legs (the straight ones) on a carpeted surface with the brackets facing up and in as shown in **Figure 1**. Slide each shelf onto the legs so that the brackets are inside the shelves (**Figure 2**).

NOTE: The top shelf is the smaller shelf.



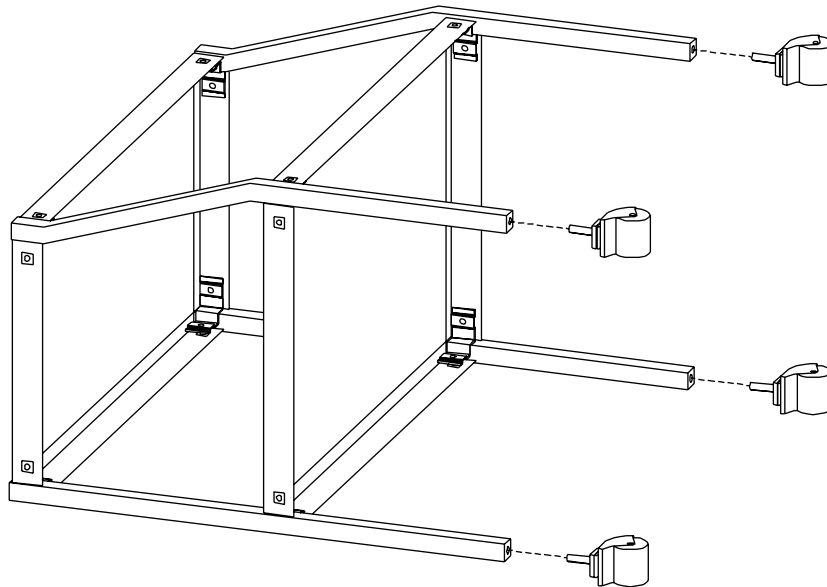
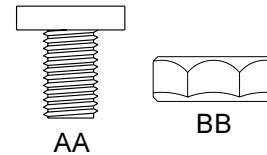
STEP 2

Slide the front legs onto the shelves so that the brackets are inside the shelves.



STEP 3

Secure each corner of the shelves with bolts (AA) and nuts (BB) as shown.



STEP 4

Push each caster into the bottom of each leg. If caster does not insert easily, tap in place with a rubber mallet. **NOTE:** Make sure casters are **SECURELY** in place before standing unit upright.

Bretford
 11000 Seymour Avenue
 Franklin Park, IL 60131
 TEL: 847.678.2545
 800.521.9614
 FAX: 847.678.0852
 800.343.1779

Bretford Ltd.
 Technology House
 7 Lake End Court, Taplow
 Bucks SL6 0JQ England
 TEL: 01628 603558
 FAX: 01628 604923

www.bretford.com

Part #031-0466
 Rev. 3.96 CH