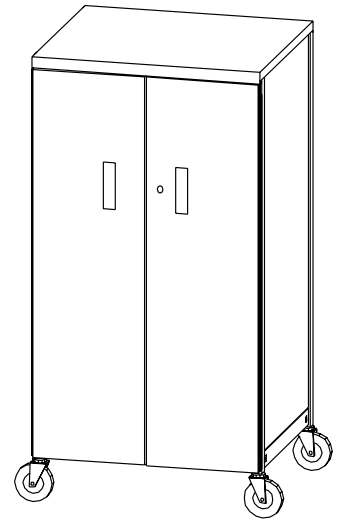




BRETFORD

VTRC520 VIDEO SECURITY CONSOLE Assembly Instructions



PARTS LIST

Qty	Part#	Description
1	010-1987	Bottom Shelf
2	010-1990	Interior Shelves
1	010-2019	Rear Panel
2	022-1483	R/Front & Left Rear Legs
2	022-1484	L/Front & R/Rear Legs
1	022-1485	Top Shelf
1	022-1486	Right Door w/ Lock
1	022-1487	Left Door
2	022-1488	Side Panels
2	015-0002	4" Casters w/o Lock
2	015-0003	4" Casters w/ Lock

HARDWARE LIST

Ref	Qty	Part#	Description
AA	8	030-0300	5/8" Square Head Bolts
BB	8	030-0002	5/16-18 Serrated Nuts
CC	4	030-0325	1/4-20 x 1/2" Combo Screws
DD	24	030-0203	#10-24 x 3/8" Combo Screws
EE	4	030-0259	#10 x 1/2" Phillips Screws
	2	012-0286	Plastic Handles
	1	010-1106	Hex Wrench

TOOLS REQUIRED

- Hex Wrench (Provided)
- Phillips Screwdriver
- Rubber Mallet

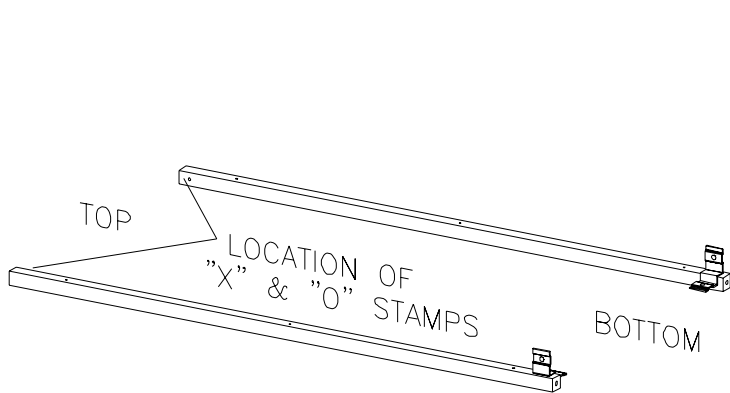


FIGURE 1

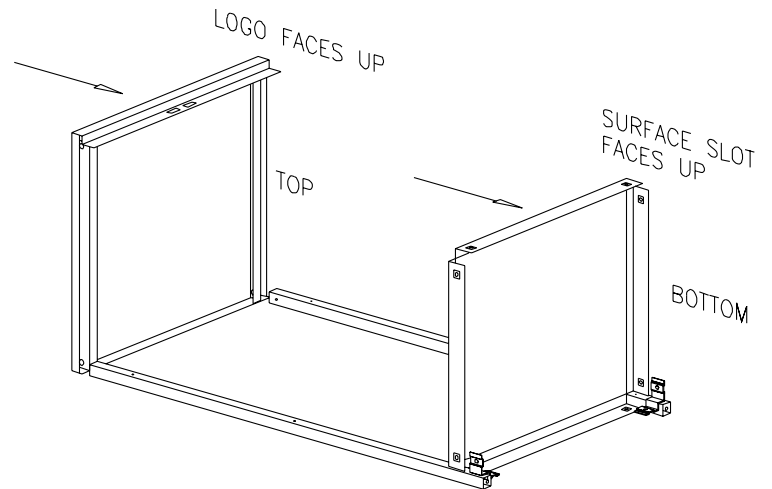
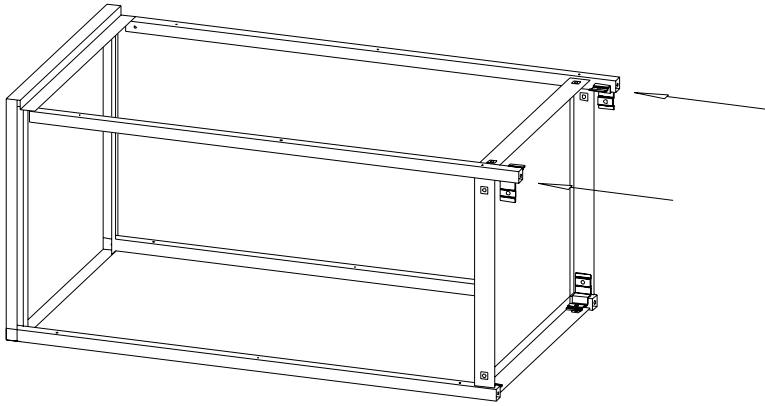


FIGURE 2

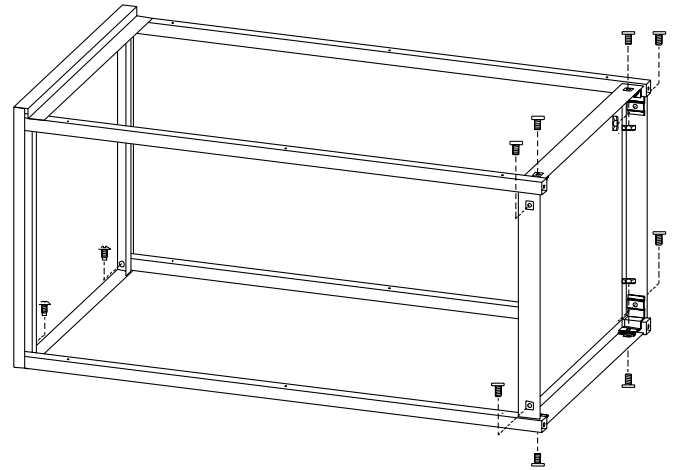
STEP 1

Lay the rear legs (1 stamped "X" and 1 stamped "O") on a carpeted surface with the brackets facing up and in as shown in **Figure 1**. Slide the top and bottom shelves onto the legs as shown in **Figure 2**. **NOTE:** The brackets on the legs should fit inside the bottom shelf. The legs should fit in between the top shelf edge and the welded stiffener on the top shelf.



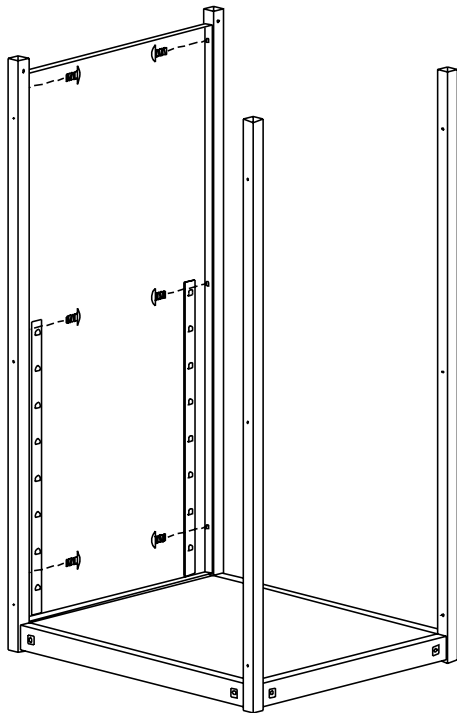
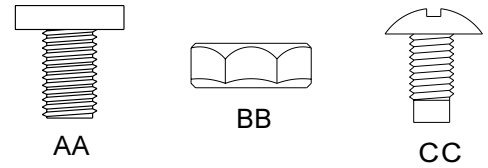
STEP 2

Slide the front legs onto the shelves making sure the legs are positioned inside the shelves.



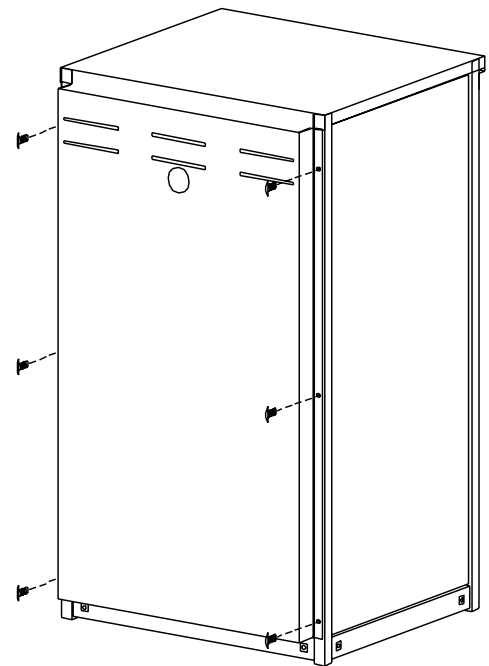
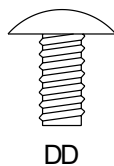
STEP 3

Secure the bottom shelf with bolts (AA) and nuts (BB). Secure top shelf with screws (CC).



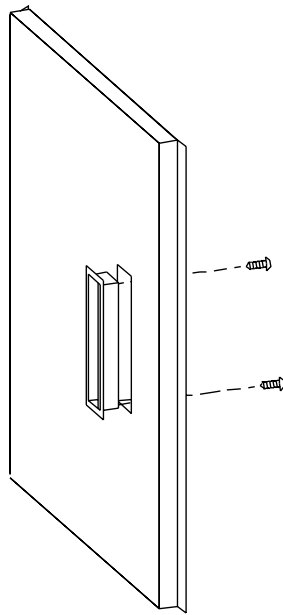
STEP 4

Stand unit upright. Attach each side panel with screws (DD) making sure the shelf tabs face inside as shown.
NOTE: The top shelf is omitted from the picture for clarity.



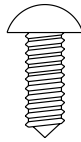
STEP 5

Attach rear panel with screws (DD) as shown.

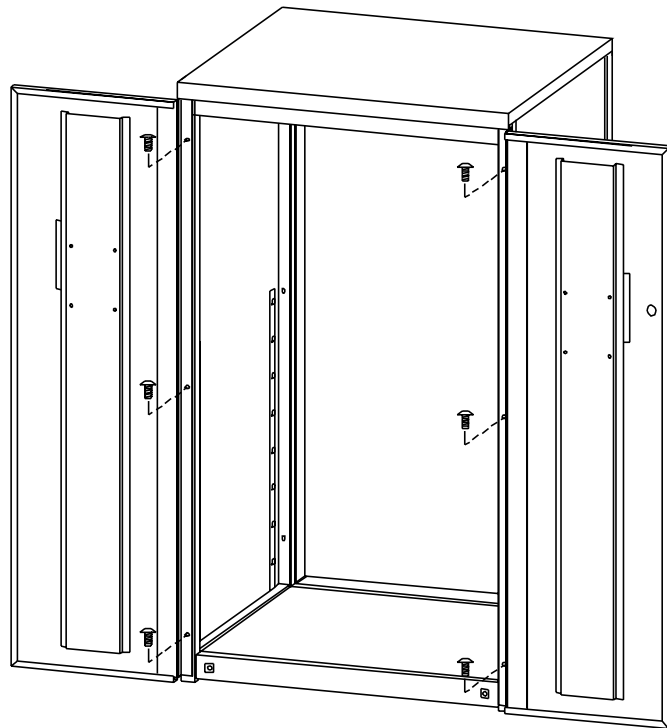


STEP 6

Attach each handle to the doors with screws (EE) as shown.

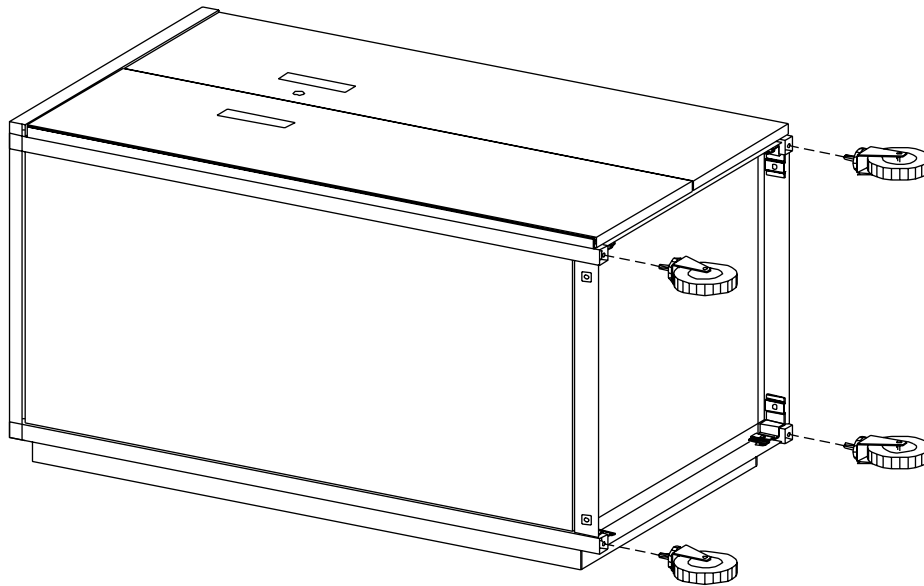


EE



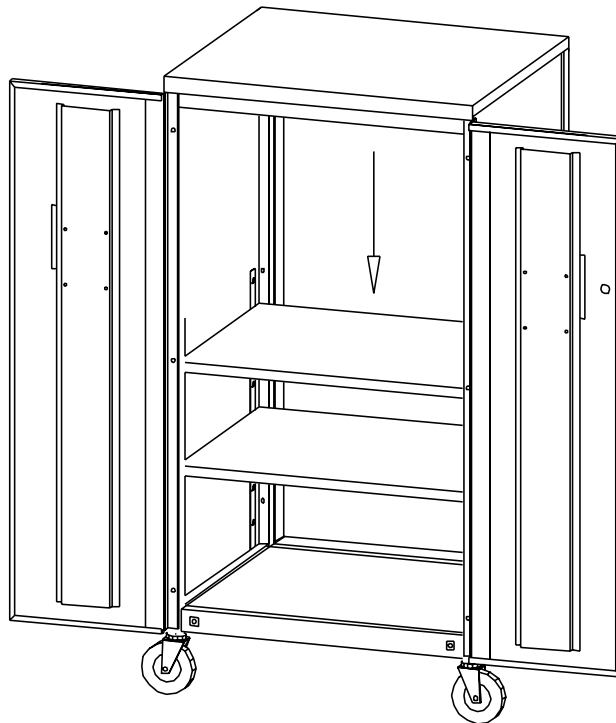
STEP 7

Attach each door with screws (DD) as shown. **NOTE:** The right door has the lock.



STEP 8

CAREFULLY lay unit on its back. Insert each caster into the legs. If casters do not insert easily, tap each caster in place with a rubber mallet. Once all casters are **SECURELY** in place stand unit upright.



STEP 9

Position the interior shelves onto the tabs on the side panels at your desired height.

Bretford
11000 Seymour Avenue
Franklin Park, IL 60131
TEL: 847.678.2545
800.521.9614
FAX: 847.678.0852
800.343.1779

Bretford Ltd.
Technology House
7 Lake End Court, Taplow
Bucks SL6 0JQ England
TEL: 01628 603558
FAX: 01628 604923

www.bretford.com

Part #031-1242
3.96 CH