

Operating Instructions for Tripod Projection Screens

- Thank you for choosing a Bretford Tripod Screen ... 50x50" 60x60" 70x70" 84x84" Square Format
- Bretford Screens with **Matte White Fabric** are designed to give you a bright, sharp image from a wide variety of projectors.
- **Protect your new Screen** by keeping it rolled into the protective case when not in use. Always examine the surface for dust & dirt before retracting the fabric into the case. Carefully wipe clean with a soft cloth or duster.

To Open Screen

- 1 Open Tripod Base and stand Upright as shown - Fig 1
- 2 Extend legs by pushing down on top of Tripod assembly (2)
- 3 Hold Case (4) horizontal against the Upright, matching the Pin on the case with the hole at the center of the Red Ring (5).
- 4 Rotate the Red Ring (5) counter-clockwise and insert the Case Pin into the hole, allowing the Red Ring to spring back, locking the Case to the Upright.
- 5 Press Autolock (3) & raise Extension Rod (7) a few inches
- 6 Rotate Screen Case (4) to horizontal position.
- 7 To use **Keystone Eliminator**, hidden inside the Hanger Bracket (8) tube, pull out from the tube and fold down extending over Hanger Bracket (8).
- 8 Raise Fabric (4) and place on Hanger Bracket (8) or Keystone Eliminator.
- 9 Squeeze Handle Trigger (9) and raise Case (4) a few inches, anticipating Step 8 below.
- 10 Hold Extension Rod firmly with one hand and guide the Rod up when you press Autolock (3). Raise Extension Rod (7) as far as it will go, to completely open the screen. **See Important Note below!**
- 11 For a flat and rigid screen surface, release Handle Trigger (9) and press down on handle (6) to stretch screen surface.

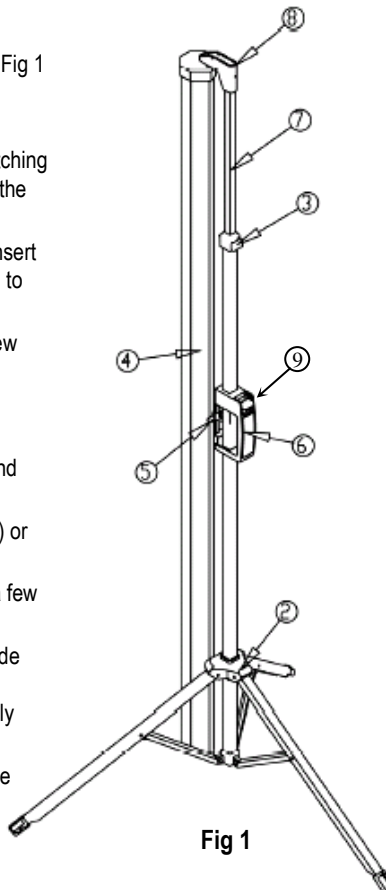


Fig 1

To Close Screen

- 1 To release fabric tension, if applied, squeeze Handle Trigger (9) and raise Handle (6) a few inches.
- 2 Holding Extension Rod (7) firmly with one hand, press Autolock (3) and carefully let Extension Rod down part way. **DO NOT LET Extension Rod (7) fall freely. See Important Note below!**
- 3 Return Handle(6) to correct position on the tube, above the Case Stop.
- 4 Unhook screen slat and lower the fabric into the Case (4) and turn Case (4) to vertical position.
- 5 Hold Extension Rod (7) firmly in one hand, press Autolock (3) and lower Extension Rod (7) until Screen Hook (8) fits into Retaining Hole in the Endcap and the Autolock (3) engages with a "click".
- 6 Raise screen off the floor and close legs by sliding the top of the Tripod (2) up the tube.

Raising & Lowering the Screen Case (4) and Extension Rod (7) allows screen to be match desired projector height. Once the screen is opened , hold Extension Rod (7) firmly with one hand and guide Rod up when you press the Autolock (3). Raise Extension Rod (7) to desired height. Squeeze the Handle Trigger (9) and raise the Case (4) to desired level.

IMPORTANT NOTE

- **PRESSING the Autolock (3), unlocks the Extension Rod (7) allowing it to slide freely. Always hold onto the Extension Rod (7) firmly with one hand and guide the Rod down when you press the Autolock (3), otherwise, it will slam down instead of sliding down.**
- **DO NOT press the Autolock (3) when the fabric is under tension. First remove the tension by releasing the Handle Lock (9) and sliding the Handle (6) upward. Then press the Autolock (3) to change position of Extension Rod (7).**
- **CAUTION: Failure to control the descent of the Extension Rod (7) may damage screen or pose a potential safety risk.**



BRETTFORD 11000 Seymour Avenue Franklin Park, IL 60131 P 800.521.9614 F 800.343.1779

www.bretford.com

#031-7076
11.04