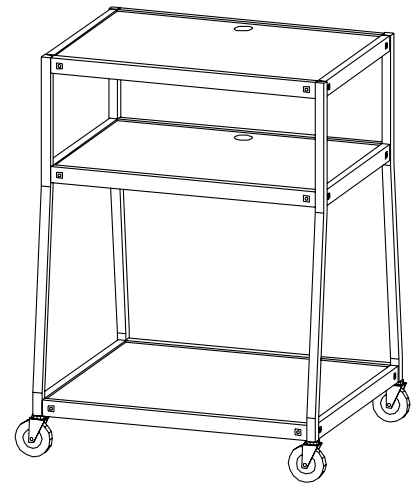




BRETTFORD™

**BB44 BB48 BB54
WIDE BODY TV CARTS
Assembly Instructions**



BRETTFORD BASICS™

PARTS LIST

Qty	Part#	Description
2	010-1891	Top & Middle Shelves
1	010-1892	Bottom Shelf
2	022-1528	R/Front & L/Rear Legs (BB44)*
	022-1564	R/Front & L/Rear Legs (BB48)*
	022-1379	R/Front & L/Rear Legs (BB54)*
2	022-1529	L/Front & R/Rear Legs (BB44)**
	022-1565	L/Front & R/Rear Legs (BB48)**
	022-1380	L/Front & R/Rear Legs (BB54)**
2	015-0002	4" Casters w/o Lock
2	015-0003	4" Casters w/ Lock
OR		
2	015-0017	5" Casters w/o Brake
2	015-0018	5" Casters w/ Brake

HARDWARE LIST

Ref	Qty	Part#	Description
AA	24	030-0300	5/8" Square Bolt
BB	24	030-0002	5/16-18 Hex Serrated Nuts
	1	010-1106	Hex Wrench

TOOLS REQUIRED

- Hex Wrench (Provided)
- Adjustable Wrench
- Rubber Mallet

* These legs are marked with a "X"
 ** These legs are marked with an "O"

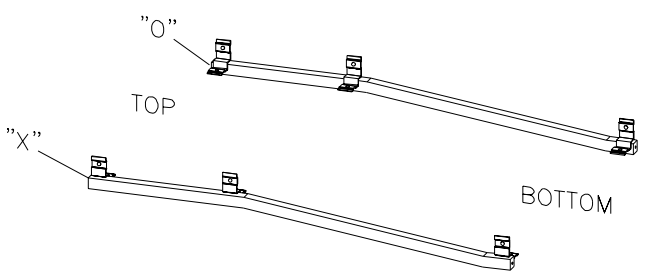


FIGURE 1

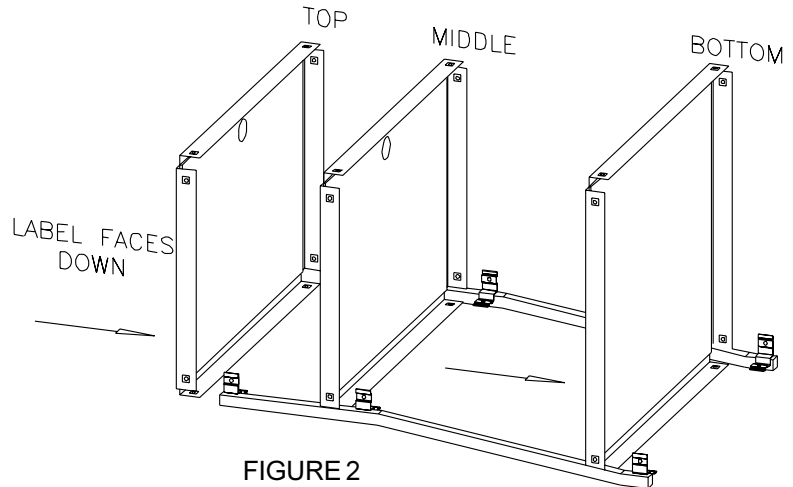
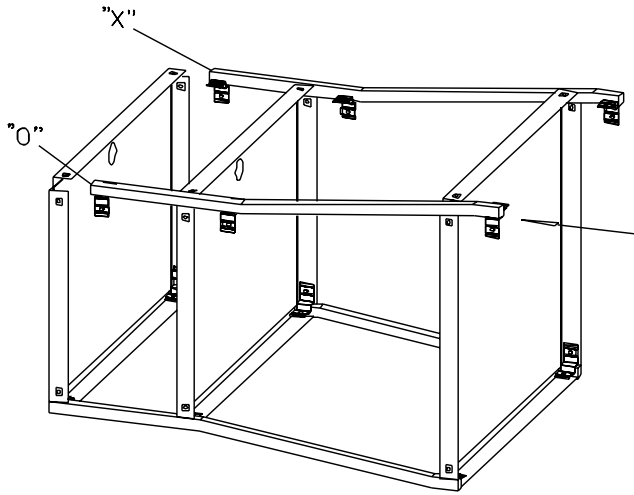


FIGURE 2

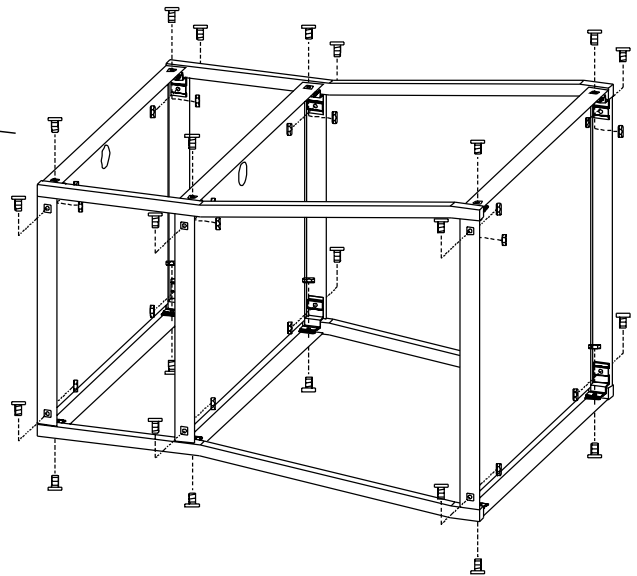
STEP 1

Position the front legs (stamped "O" & "X") with the brackets facing up and in as shown in **Figure 1**. Slide each shelf onto the legs making sure the brackets are inside of the shelves (**FIGURE. 2**).
NOTE: The grommet holes should face up.



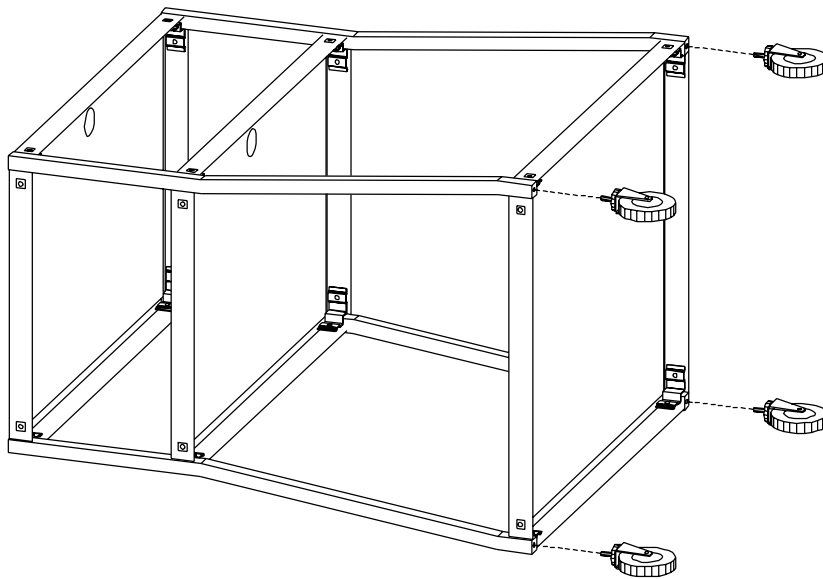
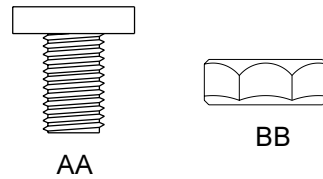
STEP 2

Slide the 2 remaining legs onto the shelves as shown.
 Make sure the brackets are inside the shelves.
 (Note the orientation of the "X" and "O" legs)



STEP 3

Secure each corner of the shelves with bolts (AA) and nuts (BB) as shown.



STEP 4

Tap each caster into the bottom of each leg with a rubber mallet. Make sure each caster is **SECURELY** in place and stand unit upright.

Bretford
 11000 Seymour Avenue
 Franklin Park, IL 60131
 TEL: 847.678.2545
 800.521.9614
 FAX: 847.678.0852
 800.343.1779

Bretford Ltd.
 Technology House
 2 Etongate, 110 Windsor Road
 Slough, Berkshire SL1 2JA England
 TEL: 01753 53 99 55
 FAX: 01753 53 94 78