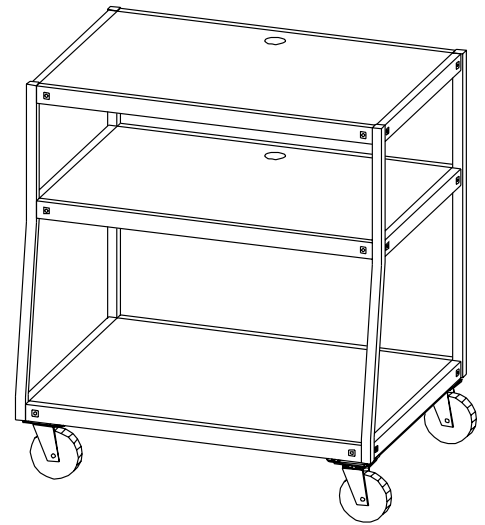


BBLM41 WIDE BODY TV CART Assembly Instructions



PARTS LIST

Qty	Part No.	Description
1	010-2081	Middle Shelf
1	022-1555	Top Shelf
1	022-1556	Bottom Shelf
1	022-1557	Right Front Leg
1	022-1558	Left Front Leg
2	022-1559	Rear Legs
2	015-0086	5" Plate Casters w/o Brake
2	015-0087	5" Plate Casters w/ Brake

HARDWARE LIST

Ref	Qty	Part No.	Description
AA	24	030-0300	5/8" Square Head Bolts
BB	24	030-0002	5/16-18 Serrated Nuts
CC	12	030-0307	5/16-18 x 5/8" Hex Head Screws
	1	010-1106	Hex Wrench

TOOLS REQUIRED

Hex Wrench (Provided)
1/2" Box Wrench

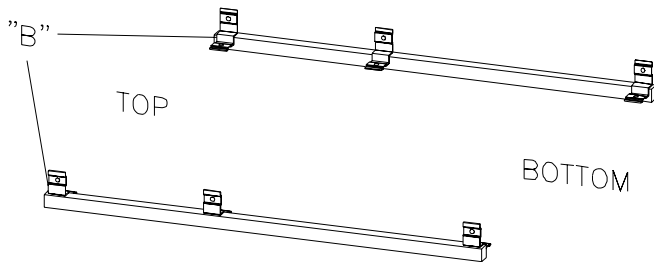


FIGURE 1

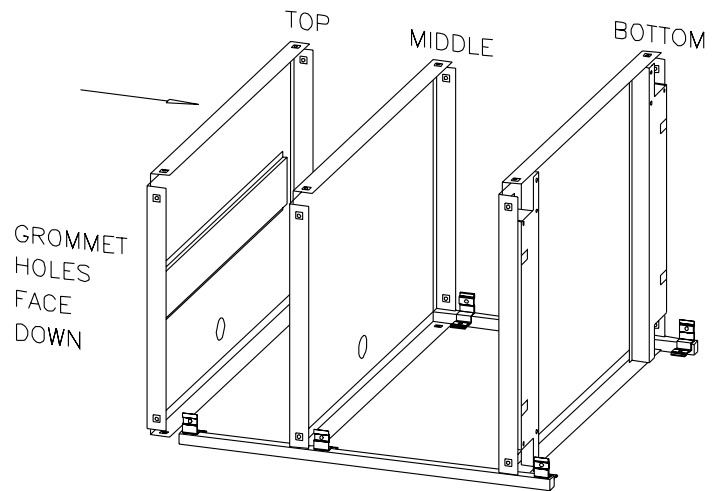


FIGURE 2

STEP 1

Lay the rear legs (the straight ones) on a carpeted surface with brackets facing in and up as shown in **FIGURE 1**. **NOTE:** Each rear leg has a letter "B" stamped above the bracket to represent the top of the leg. Slide each shelf onto the legs so that the bracket is inside the shelf as shown in **FIGURE 2**.

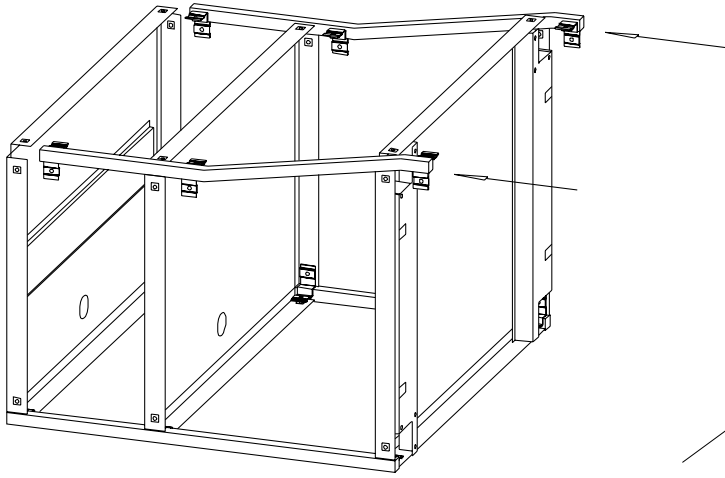


FIGURE 3

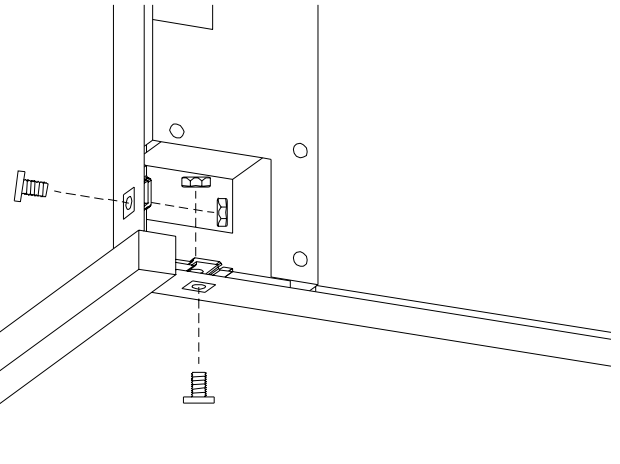
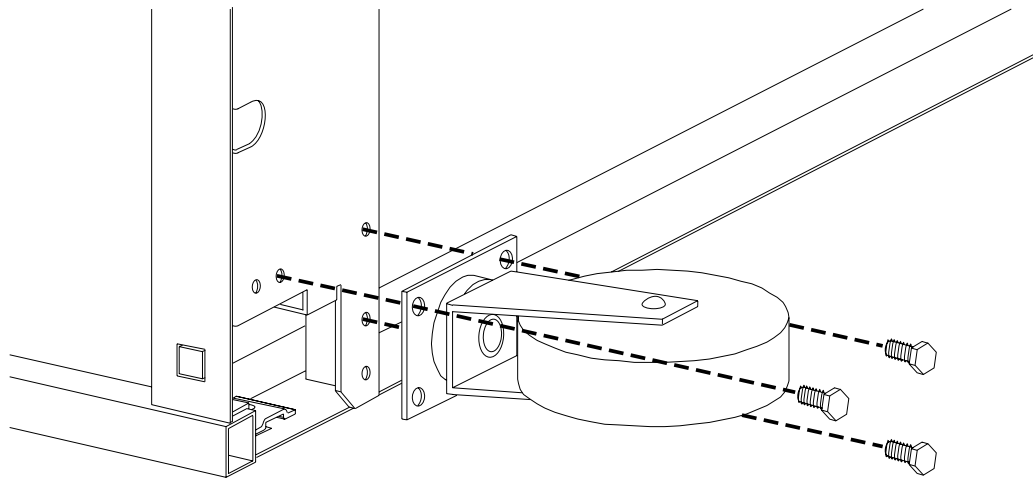
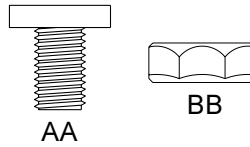


FIGURE 4

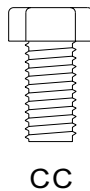
STEP 2

Slide the 2 front legs onto the shelves so that the brackets are inside the shelves as shown in **Figure 3**. Secure each corner of the shelves and legs together with bolts (AA) and nuts (BB) as shown in **Figure 4**.



STEP 3

Attach each castor to bottom shelf stiffener with screws (CC) as shown.



Bretford
 11000 Seymour Avenue
 Franklin Park, IL 60131
 TEL: 847.678.2545
 800.521.9614
 FAX: 847.678.0852
 800.343.1779

Bretford Ltd.
 Technology House
 7 Lake End Court, Taplow
 Bucks SL6 0JQ England
 TEL: 01628 603558
 FAX: 01628 604923