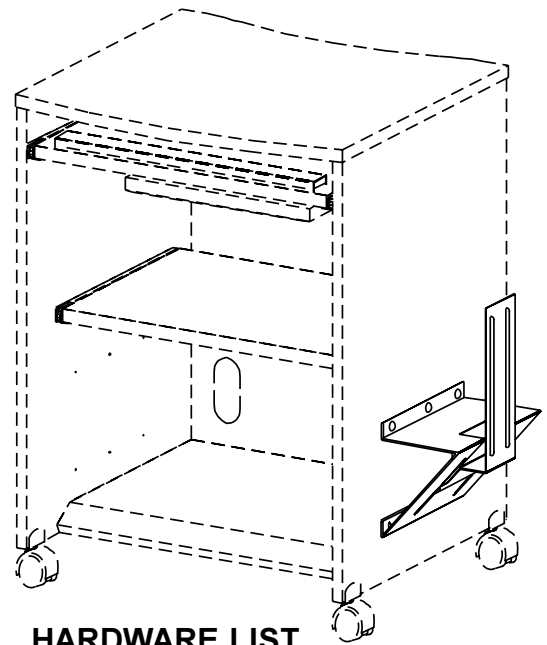


# BRE17068AN

## TechMark® CPU Holder

### Assembly Instructions



#### PARTS LIST

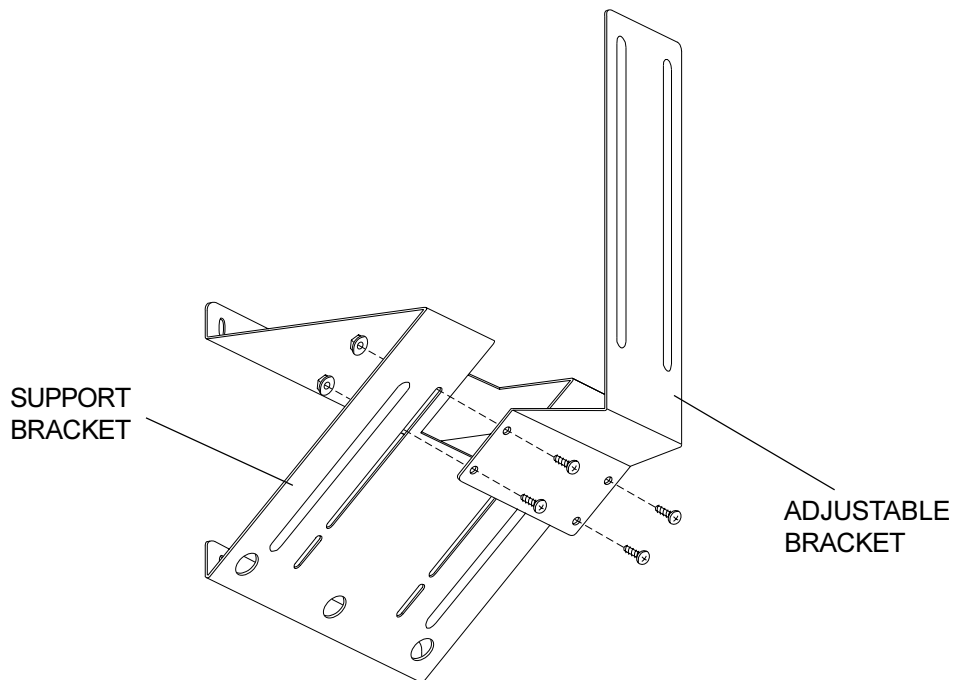
Qty	Part#	Description
1	010-2839	Support Bracket
1	010-2840	Adjustable Bracket

#### HARDWARE LIST

Ref	Qty	Part#	Description
AA	4	030-0291	#10-32 x 1/2" Phillips Truss Screws
BB	4	030-0357	10-32 Serrated Flange Nuts
CC	6	SC1040	#10 x 5/8" Pan Head Screws
DD	2	031-1822	Velcro - Hooks
EE	2	031-1823	Velcro - Loops

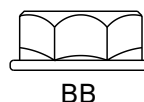
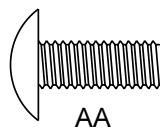
#### TOOLS REQUIRED

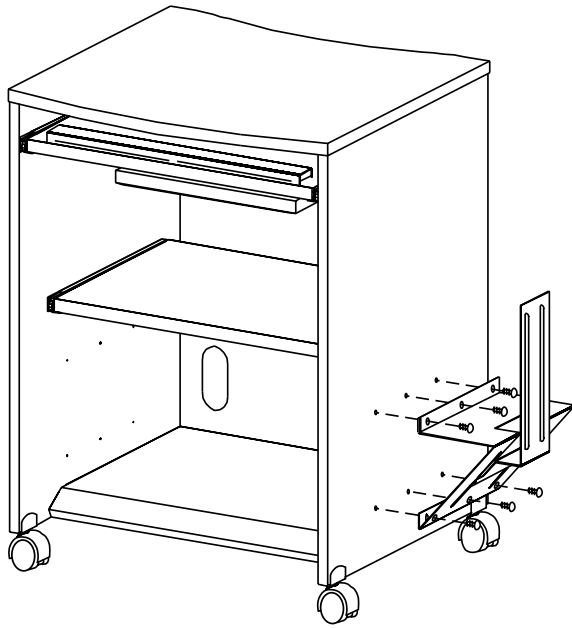
Phillips Screwdriver  
Adjustable Wrench



#### STEP 1

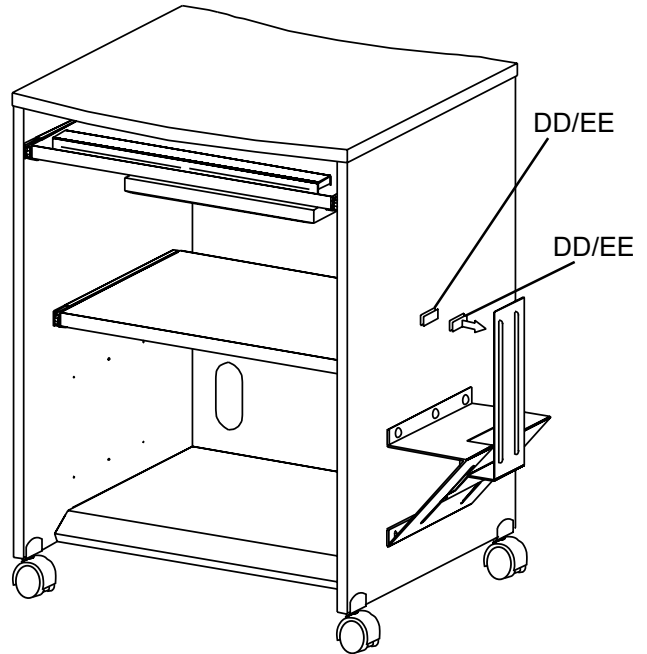
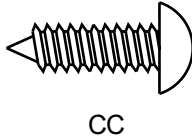
Attach the support bracket and the adjustable bracket together with screws (AA) and nuts (BB) as shown. The adjustable bracket can slide up and down on the support bracket by loosening the hardware. When desired position is found, tighten the hardware to secure in place.





**STEP 2**

**CAREFULLY** position and drill out the pilot holes with a 5/32" drill bit on the side panel you wish to attach the CPU holder to. Attach the CPU holder to the side panel with screws (CC) as shown.



**STEP 3**

Use the Velcro pieces provided to hold your CPU in place. Assemble (2) sets of "hook & loop" (DD/EE) pieces together. Peel off (1) side of tape from both sets of Velcro to expose the adhesive backing. Apply (1) set of Velcro to the side panel and the other to the inside, top of the adjustable bracket as shown. Before your CPU is installed, peel off the remaining tape to expose the adhesive. Position your CPU up against the side panel and slide the adjustable bracket up to the CPU. Tighten the bracket hardware to secure in place.

**Bretford**  
 11000 Seymour Avenue  
 Franklin Park, IL 60131  
 TEL: 847.678.2545  
 800.521.9614  
 FAX: 847.678.0852  
 800.343.1779

**Bretford Ltd.**  
 Technology House  
 7 Lake End Court, Taplow  
 Bucks SL6 0JQ England  
 TEL: 01628 603558  
 FAX: 01628 604923