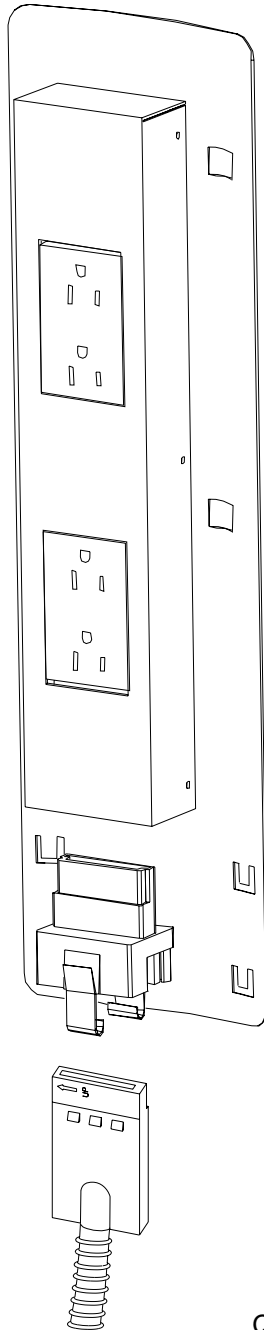




## \*\*Free System HARDWIRE E-UNIT FRHW



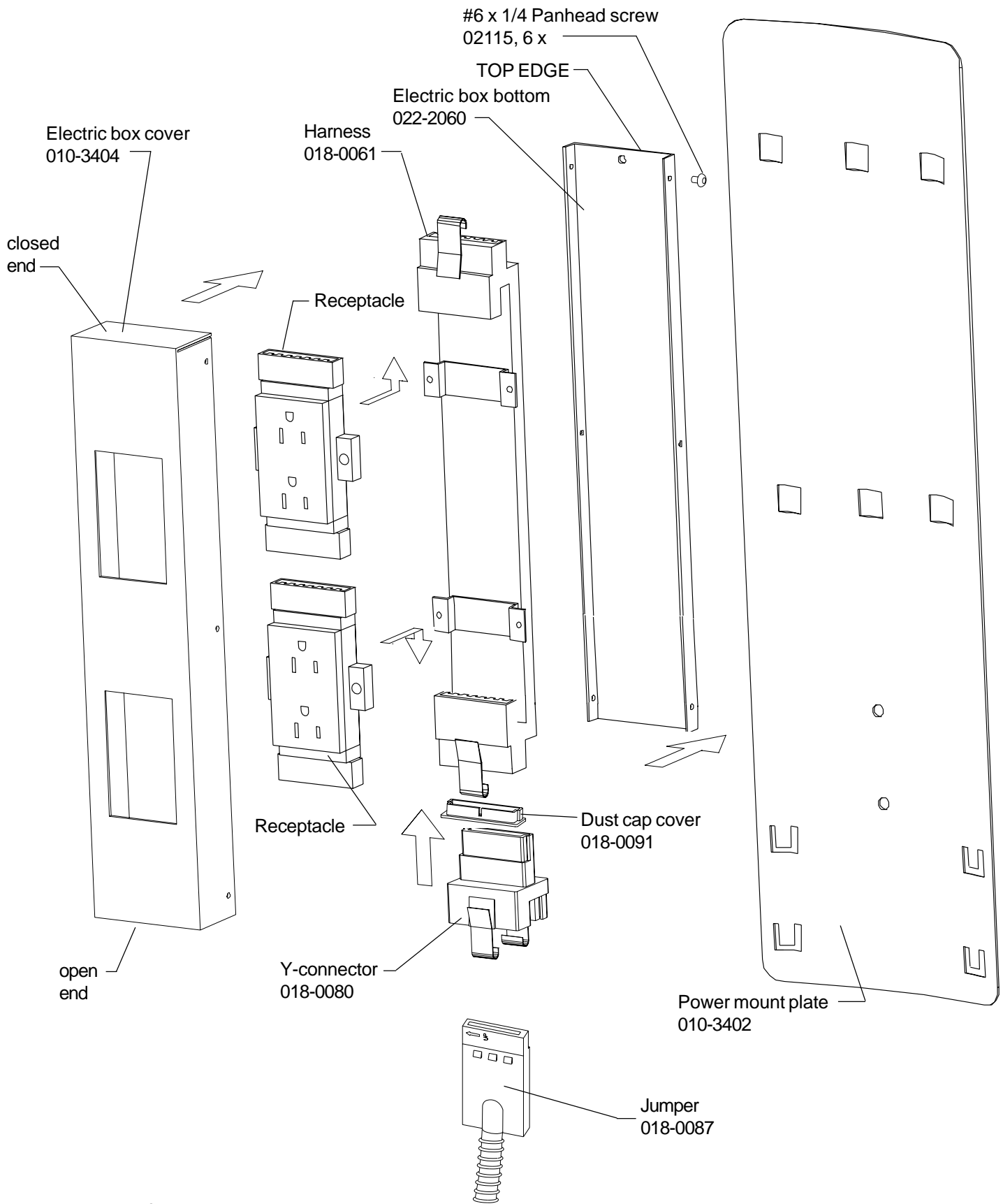
### Parts List

Qty.	Part No.	Description
1	010-3404	Electric box cover
1	018-0061	Harness
1	022-2060	Electric box bottom
1	010-3402	Power mount plate
1	018-0087	Jumper

### Hardware List

Qty.	Part No.	Description
6	02115	#6 x 1/4 Panhead screw
1	018-0080	Y-connector
1	030-0291	#10-32 x 1/2" phillips truss head
1	030-0357Z	#10-32 flanged hex serrated nut
1	018-0091	Dust cap cover

**Tools Required:**  
Phillips Screwdriver

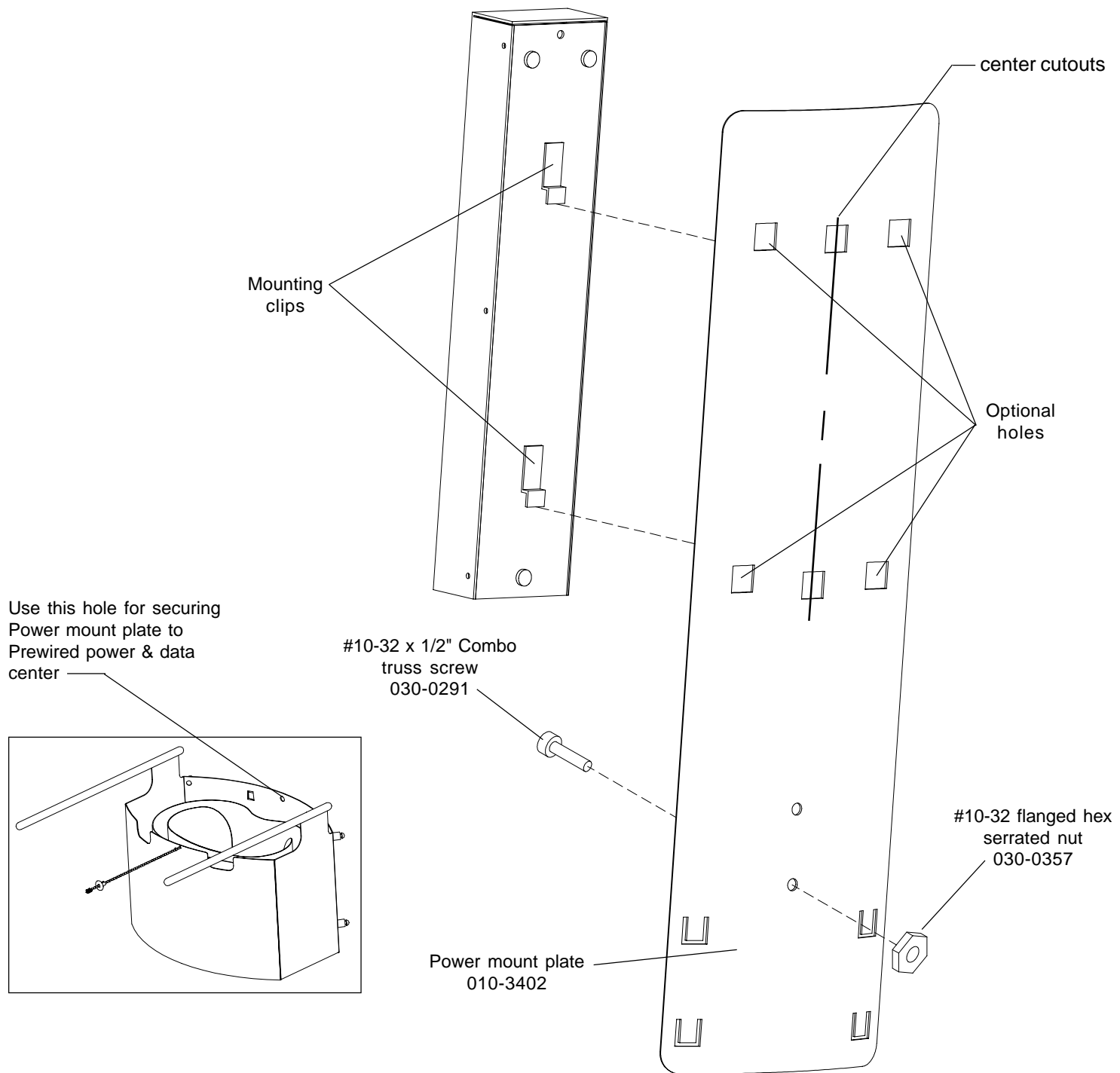


**Assemble as follows:**

Snap your receptacles into the harness (#018-0061) as shown.  
 Fit harness/receptacle assembly into box cover. Align cutouts in cover with receptacles  
 Align mounting holes of cover with box bottom. Make sure to orientate the box bottom top edge  
 (with hole) with the top end (closed end) of the box cover. Secure with (6) 02115 screws.

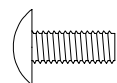


#6 x 1/4 Panhead screw  
02115



The electric box has two mounting clips on its back side. To hang the box, insert the clips through the center cutouts of the power mount plate.

If you need additional electric box, use optional holes to hang it. Use #10-32 x 1/2" Combo truss screw (030-0291) for securing Power mount plate to Prewired power & Data center through optional holes shown.



#10-32 X 1/2" truss screw  
030-0291



#10-32 flanged hex serrated nut  
030-0357

**Bretford**  
11000 Seymour Avenue  
Franklin Park, IL 60131  
TEL: 847.678.2545  
800.521.9614  
FAX: 847.678.0852  
800.343.1779

**Bretford Ltd.**  
Technology House  
7 Lake End Court, Taplow  
Bucks SL6 0JQ England  
TEL: 01628 603558  
FAX: 01628 604923

[www.bretford.com](http://www.bretford.com)

Part #031-3790  
Rev.04.23.01 YP

**Q. A.  
CHECKLIST**

**FRHW  
HARDWIRE E-UNIT**

	<u>QTY</u>	<u>PART #</u>	<u>DESCRIPTION</u>
<input type="checkbox"/>	1	010-3404	ELECTRIC BOX COVER
<input type="checkbox"/>	1	018-0061	HARNESS
<input type="checkbox"/>	1	022-2060	ELECTRIC BOX BOTTOM
<input type="checkbox"/>	1	010-3402	POWER MT PLATE
<input type="checkbox"/>	1	018-0087	JUMPER CABLE
<input type="checkbox"/>	1	044-1570	HARDWARE PACK
<input type="checkbox"/>	3	015-0011	RUBBER BUMPERS
<input type="checkbox"/>			PAINT COLOR CORRECT <i>Color de pintura Correcto</i>
<input type="checkbox"/>			PAINT QUALITY IS GOOD <i>Calidad de pintura es buena</i>
<input type="checkbox"/>			NO BURRS/SHARP EDGES. <i>No humeada o afilada la orilla</i>

Packed By: \_\_\_\_\_

Date: \_\_\_\_\_