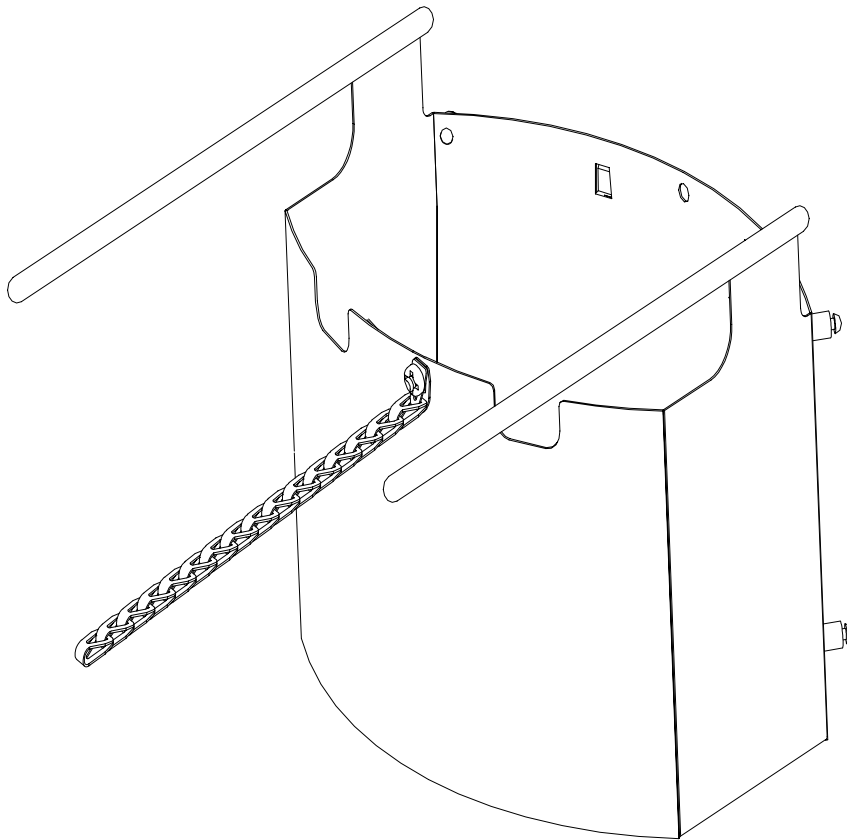




“Free System
POWER HOPPER
FPDC 7000B
Assembly Instructions

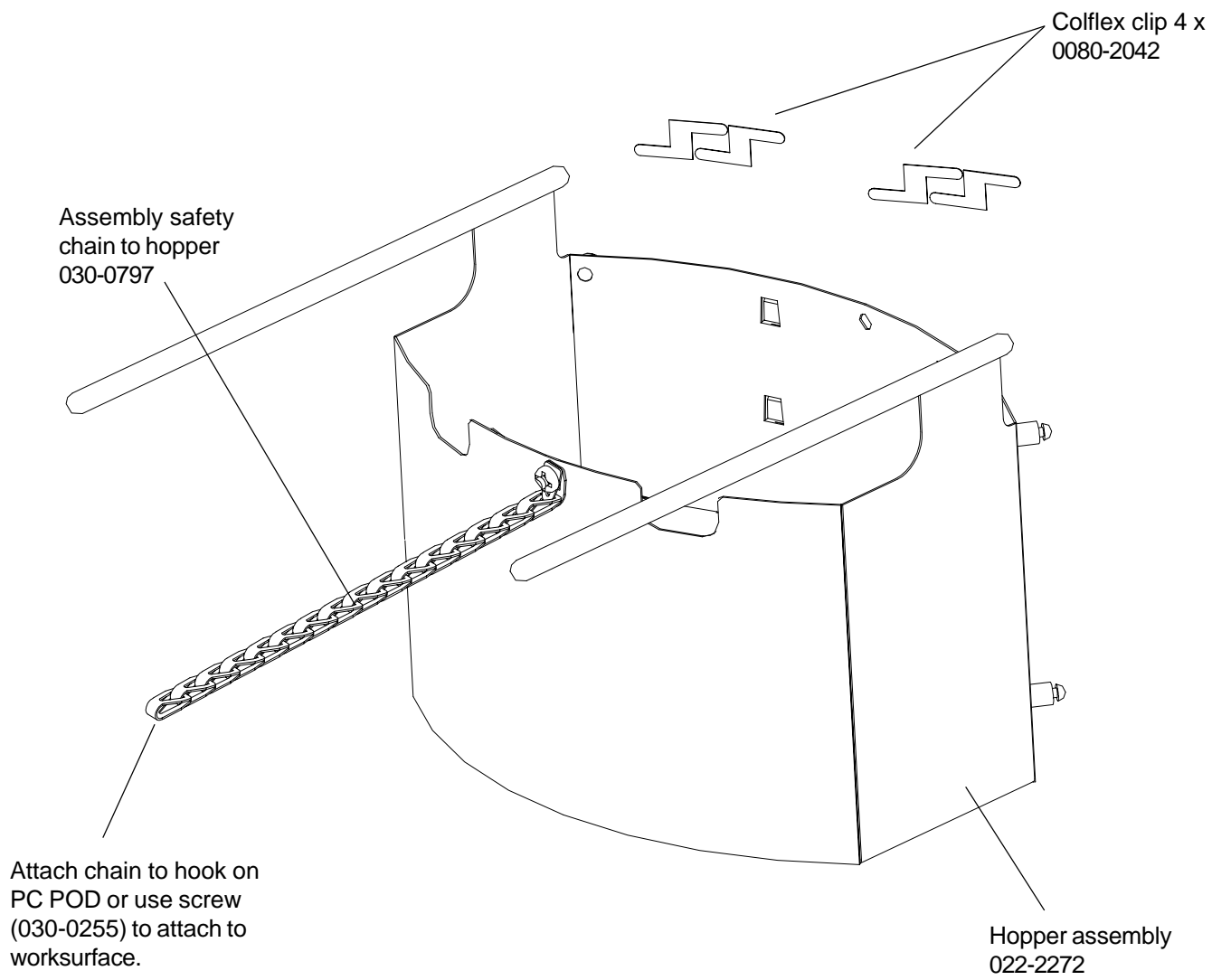


Parts List

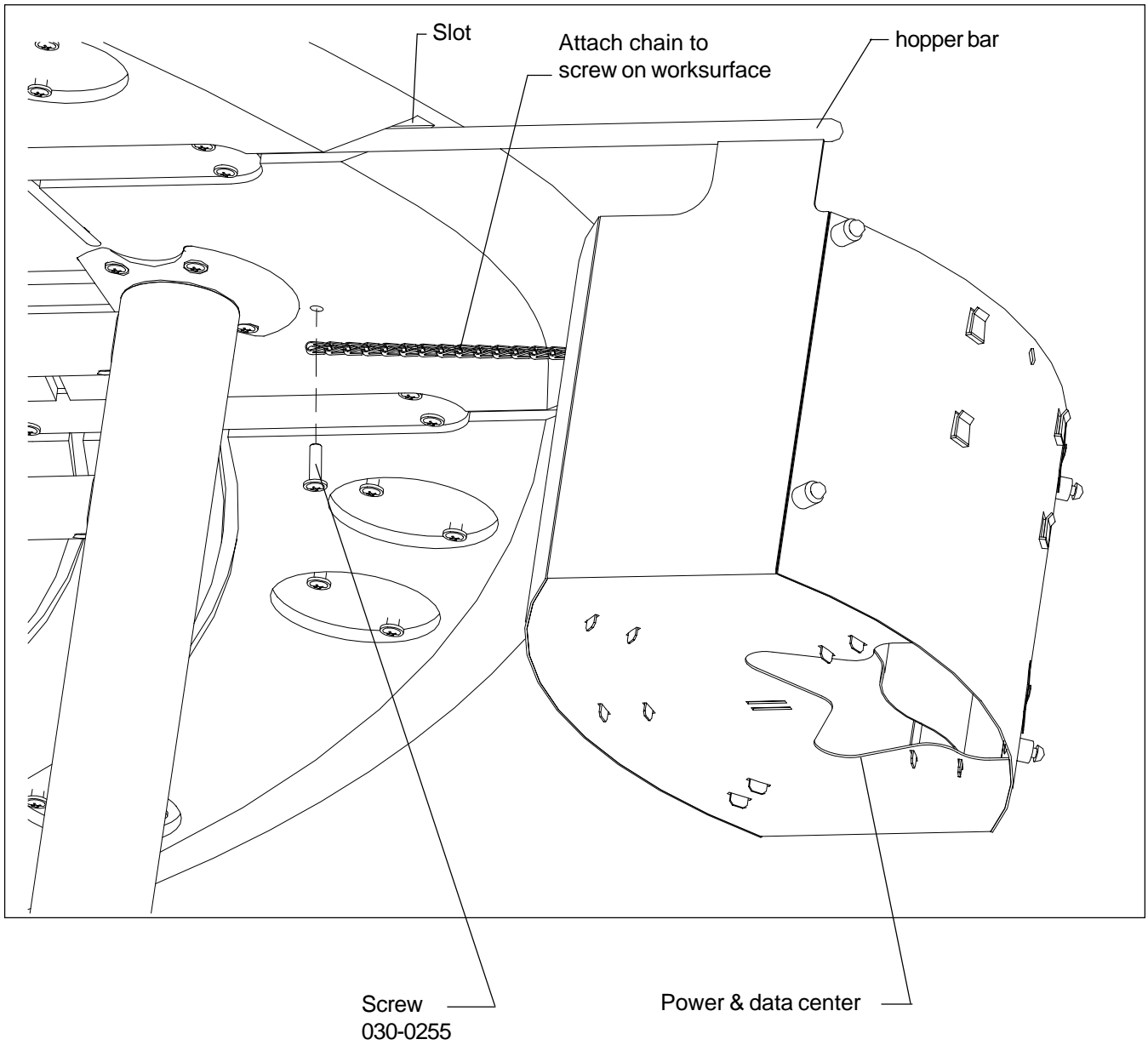
<u>Qty.</u>	<u>Part No.</u>	<u>Description</u>
1	030-0797	Safety chain to hopper
1	022-2272	Hopper Assembly
4	0080-2042	Colflex clip

Hardware List

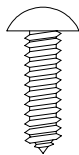
<u>Qty.</u>	<u>Part No.</u>	<u>Description</u>
1	030-0255	#10 x 5/8" Philips Pan Head Screw



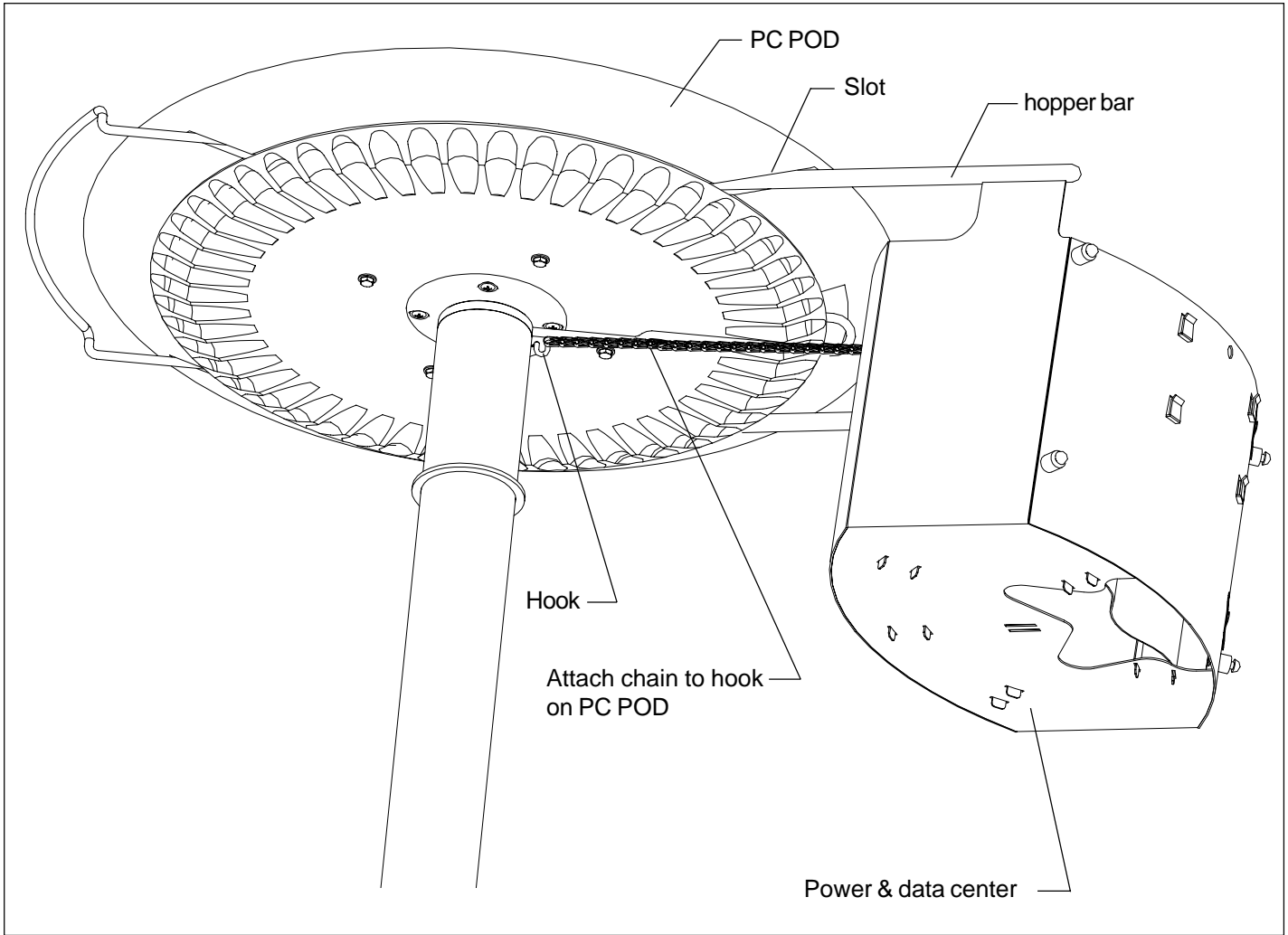
EXPLODED VIEW



Slide hopper bars half way into the slots of the work surface.
 The #10 x 5/8" Philips Pan Head Screw (030-0255) is to be used only on the single level tables.
 This screw should be mounted to the underside of the work surface tops as shown.



Screw
030-0255



Bretford
11000 Seymour Avenue
Franklin Park, IL 60131
TEL: 847.678.2545
800.521.9614
FAX: 847.678.0852
800.343.1779

Bretford Ltd.
Technology House
2 Etongate, 110 Windsor Road
Slough, Berkshire SL1 2JA England
TEL: 01753 53 99 55
FAX: 01753 53 94 78

www.bretford.com

Part#031-3877
Rev. 12.16.03 CH

**Q. A.
CHECKLIST
FPDC 7860A**

POWER & DATA CENTER

<u>QTY</u>	<u>PART #</u>	<u>DESCRIPTION</u>
<input type="checkbox"/>	1	FPDC8000B Power & Data Center
<input type="checkbox"/>	1	030-0797 Safety Chain for Hopper
<input type="checkbox"/>	4	0080-2042 Colflex Clips
<input type="checkbox"/>	1	Hardware Bag Included <i>Paquete de tornillos incluido</i>
<input type="checkbox"/>		Unit Labeled Correctly <i>Label de unidad correcto</i>
<input type="checkbox"/>		Safety Chain Attached Correctly <i>El seguro de la Cadena esta puesto correctamente</i>
<input type="checkbox"/>		Paint Quality Good <i>La Calidad de pintura es buena</i>
<input type="checkbox"/>		No Burrs/Sharp Edges <i>No humeada o afilada la orilla</i>
<input type="checkbox"/>		Paint Color Correct <i>Color de pintura correcto</i>

Packed By: _____

Date: _____