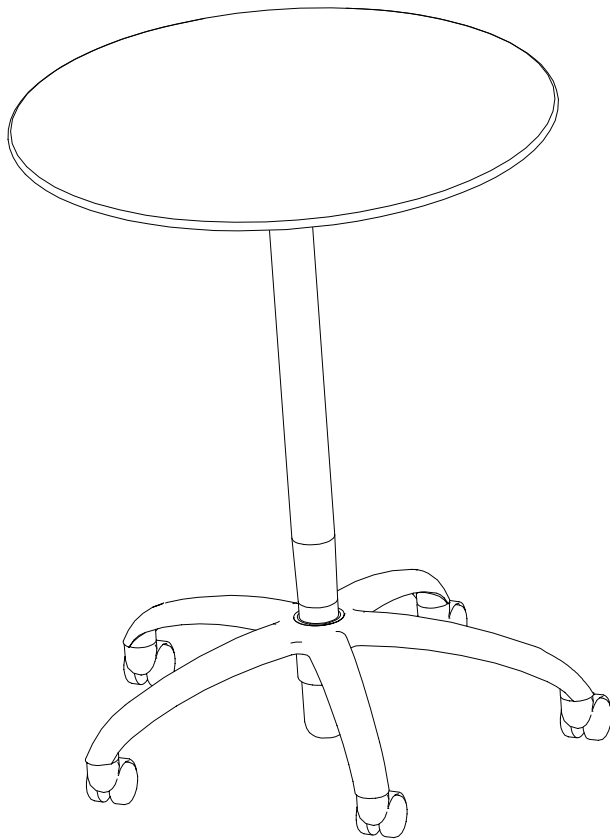




MOBILE TABLE

FMTR 7702, 7701, 7731

Assembly Instructions



FMTR 7702 - 25-5/8" Dia.
FMTR 7701 - 33-1/2" Dia.
FMTR 7731 - 39-3/8" Dia.

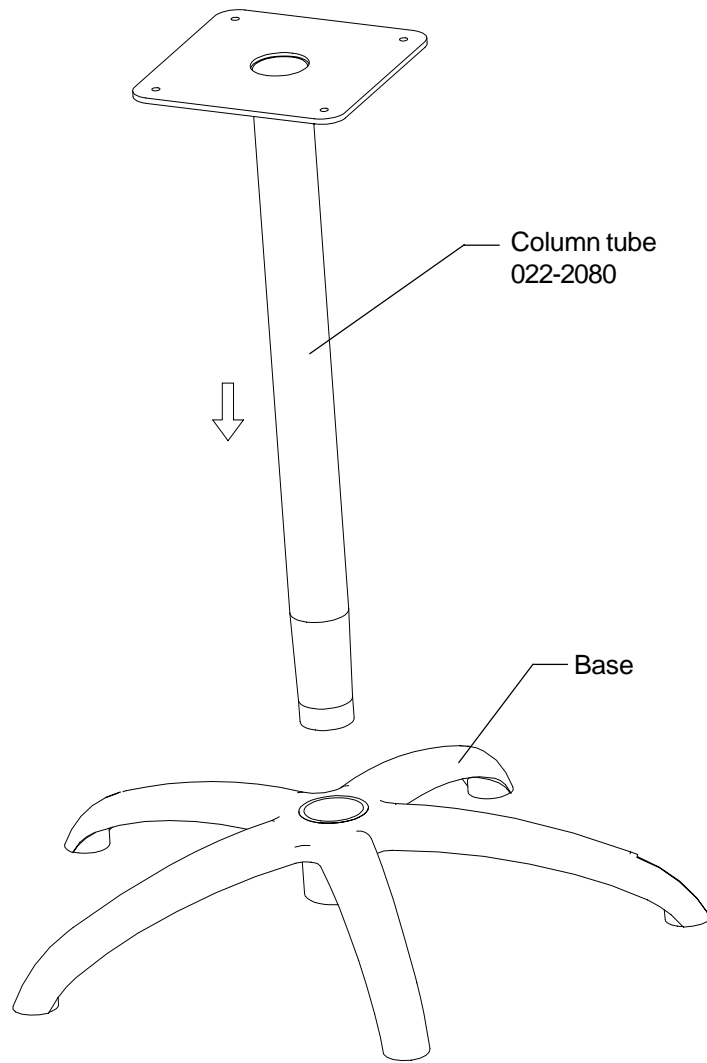
Parts List

<u>Qty.</u>	<u>Part No.</u>	<u>Description</u>
1	SA7021 SA7022	Top
1	022-2080	Column Tube
1	030-0779	Donati Base
5	015-0111	Casters
1	0030-3027	Column Tube Cap

Hardware List

<u>Qty.</u>	<u>Part No.</u>	<u>Description</u>
4	0040-8200	Euro screw 14 x 22

Tools Required: Phillips Screwdriver
Rubber Mallet

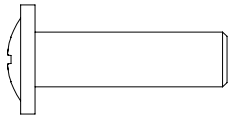


Step 1

Using a mallet, knock column tube assembly into donati base until firmly seated.

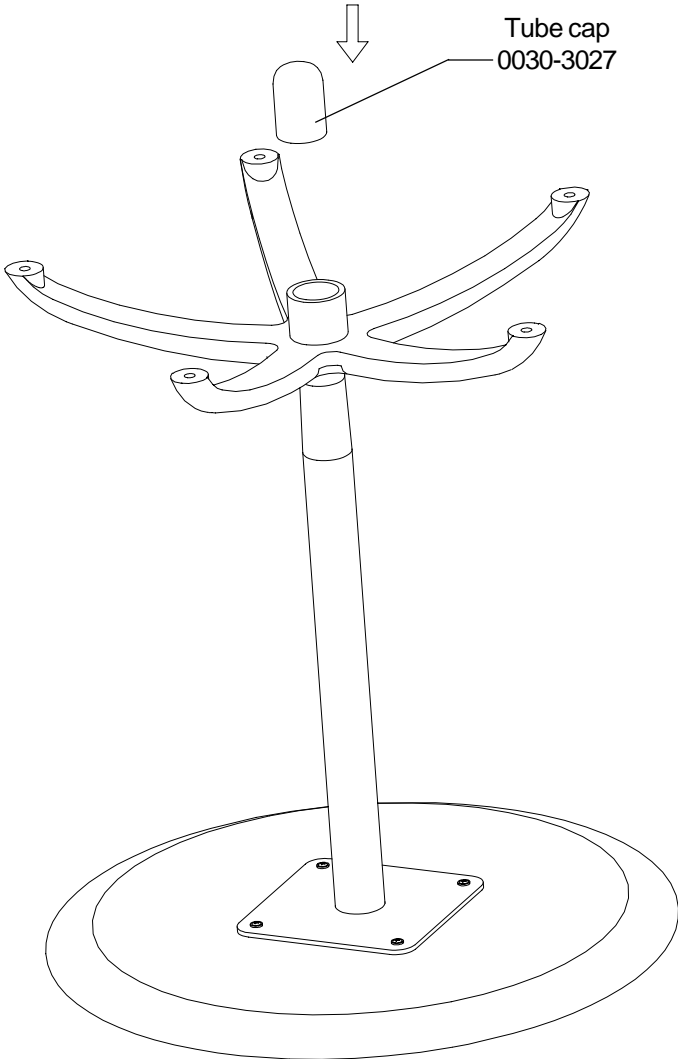
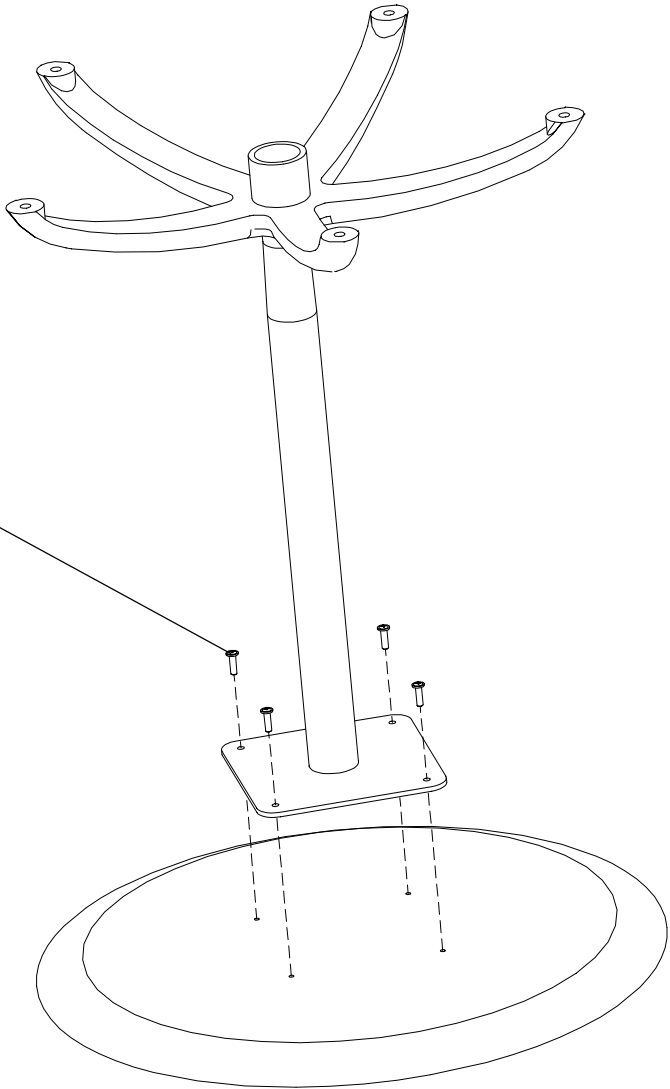
Step 2

Flip the mobile table over onto carpeted surface (or shipping carton).
Align assembly with holes in underside top.
Screw to top using screws provided. 4 x.



Euro screw 14 x 22
0040-8200

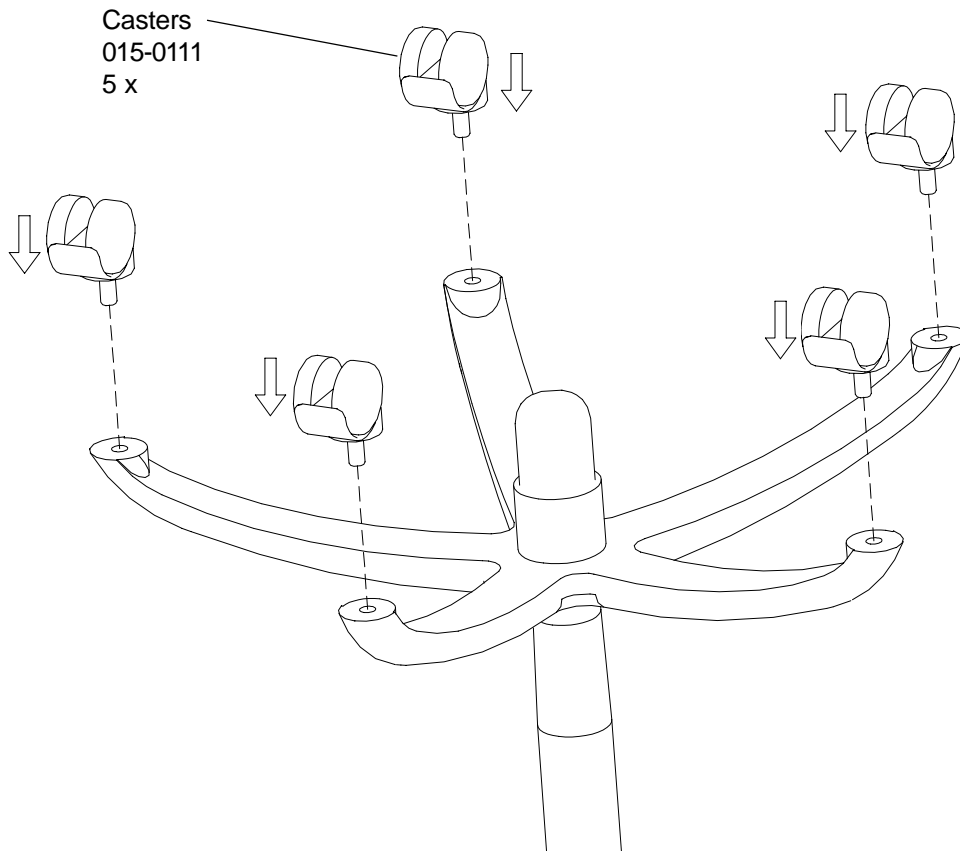
Euro screw 14 x 22
0040-8200, 4 x



Tube cap
0030-3027

Step 3

Fit tube cap (0030-3027) over bottom extension of column tube assembly and seat against bottom of donati base.



Step 3

Using a mallet, knock five casters into donati base until ALL are firmly seated before turning assembly over.

Bretford
11000 Seymour Avenue
Franklin Park, IL 60131
TEL: 847.678.2545
800.521.9614
FAX: 847.678.0852
800.343.1779

Bretford Ltd.
Technology House
7 Lake End Court, Taplow
Bucks SL6 0JQ England
TEL: 01628 603558
FAX: 01628 604923

www.bretford.com

Part #031-3894
Rev.04.23.01 YP

**Q. A.
CHECKLIST**

**FMTR7702, 7701, 7731
MOBILE TABLE**

<u>QTY</u>	<u>PART #</u>	<u>DESCRIPTION</u>
<input type="checkbox"/>	1	Mobile Table
<input type="checkbox"/>	1	_____ DIA Top
<input type="checkbox"/>	1	022-2080 Column Tube
<input type="checkbox"/>	1	030-0779 Donati Base
<input type="checkbox"/>	5	015-0111 Casters
<input type="checkbox"/>	1	0030-3027 Column Tube Cap
<input type="checkbox"/>	1	044-1587 Hardware Pack Included <i>Paquete de tornillos incluido</i>
<input type="checkbox"/>		Paint Quality Good <i>La Calidad de pintura es buena</i>
<input type="checkbox"/>		Color Correct on Column Tube <i>Color correcto en el tubo de la columna</i>
<input type="checkbox"/>		Work Surface in Good Condition <i>Superficie en buenas condiciones</i>
<input type="checkbox"/>		Laminate/Veneer Finish correct <i>Laminado/Vinil terminado correcto</i>
<input type="checkbox"/>		Donati Base Finish Quality <i>Donati base terminado con calidad</i>

Packed By: _____

Date: _____