

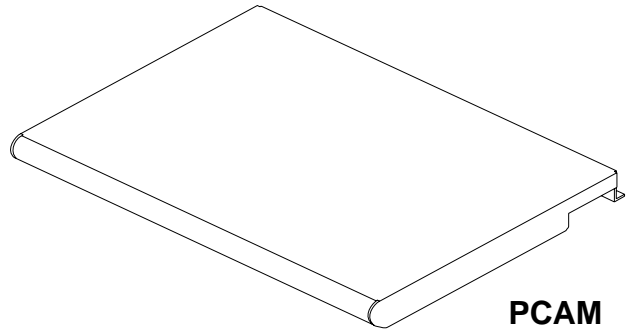


BRETFORD

PRESENTATION ENVIRONMENTS®

CAMERA SHELF

Assembly Instructions



PCAM

AS OF: MARCH 1, 2000

Can be used with models:

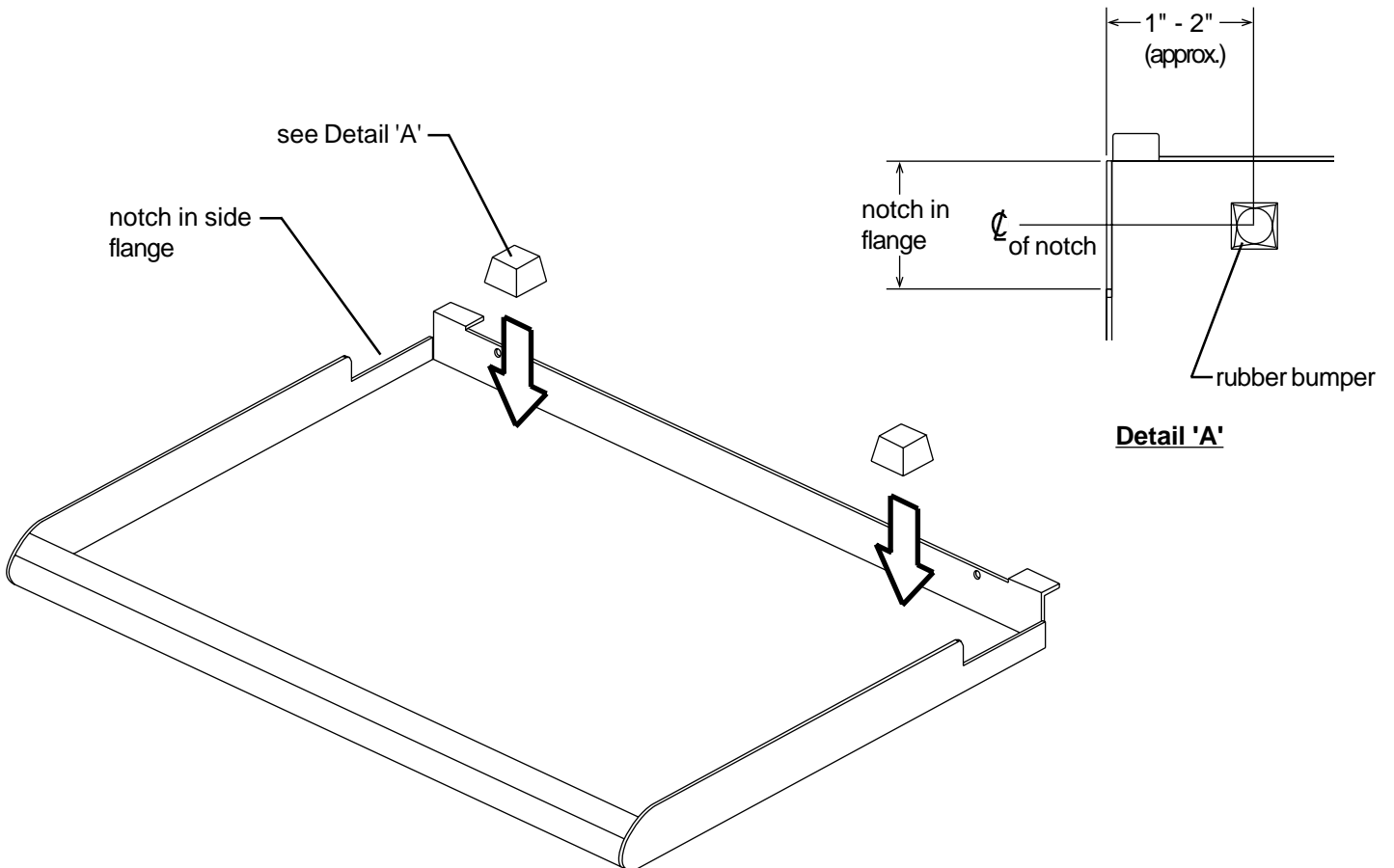
- PCC**
- PMC**
- PMT**
- PMTC45**

Parts List

Qty.	Description
1	Shelf

Hardware List

Qty.	Description
2	Rubber Bumper



Step 1

Place the shelf with the underside facing upward. Remove the paper backing from the rubber bumpers and apply them at the rear area as shown.

NOTE:

Prior to camera shelf installation, the monitor face needs to be at least 1" back from the monitor shelf (inner lip) as shown. Also the monitor shelf rubber mat under the monitor, must be to the extreme rear to fully expose the slots at the front of the monitor shelf.

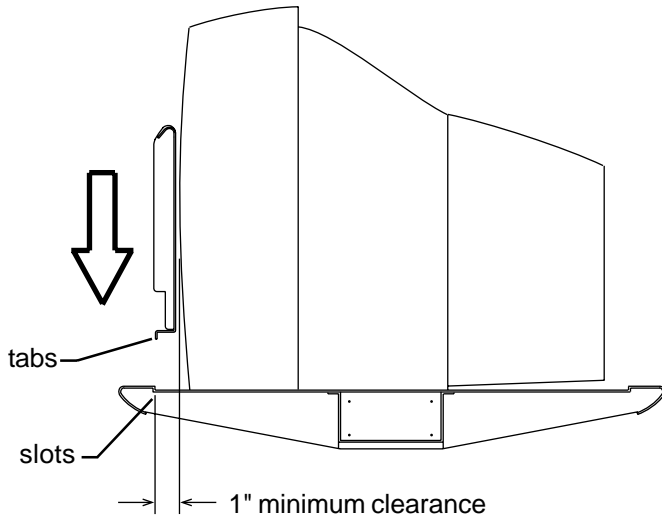


Figure 1

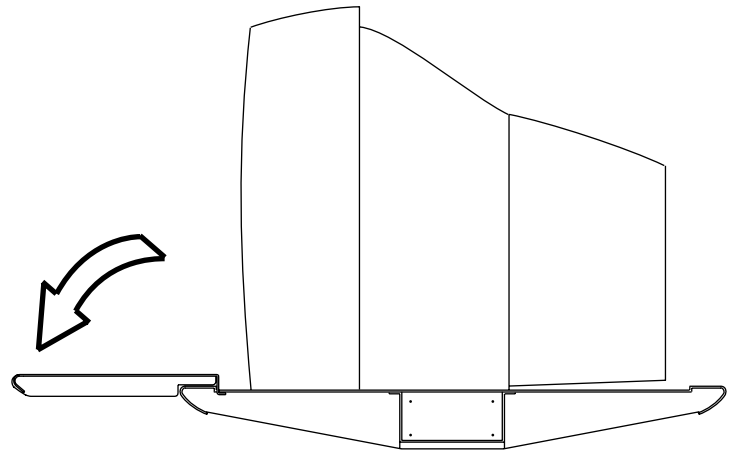


Figure 2

Step 2

To install the camera shelf, hold the shelf with the tabs facing downward and the underside of the shelf facing you. Lower the camera shelf tabs into the monitor shelf slots as shown in Figure 1. While holding the top of the camera shelf, pivot it downward until it rests onto the monitor shelf flange to complete the installation.

IMPORTANT:

When transporting your Media Center from one area to another, the camera shelf must be removed prior to moving. The camera shelf only rests in place. It is not secured in place.

Bretford
11000 Seymour Avenue
Franklin Park, IL 60131
TEL: 847.678.2545
800.521.9614
FAX: 847.678.0852
800.343.1779

Bretford Ltd.
Technology House
7 Lake End Court, Taplow
Bucks SL6 0JQ England
TEL: 01628 603558
FAX: 01628 604923

www.bretford.com

Part#031-3477
Rev.03.10.00 BW