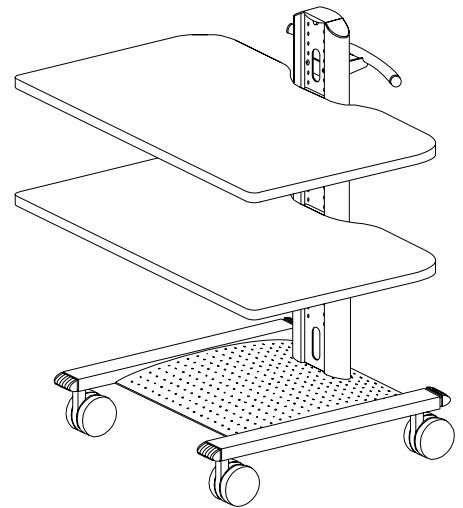




BRETFORD

PRESENTATION ENVIRONMENTS® DOCUMENT CAMERA CART



PARTS LIST

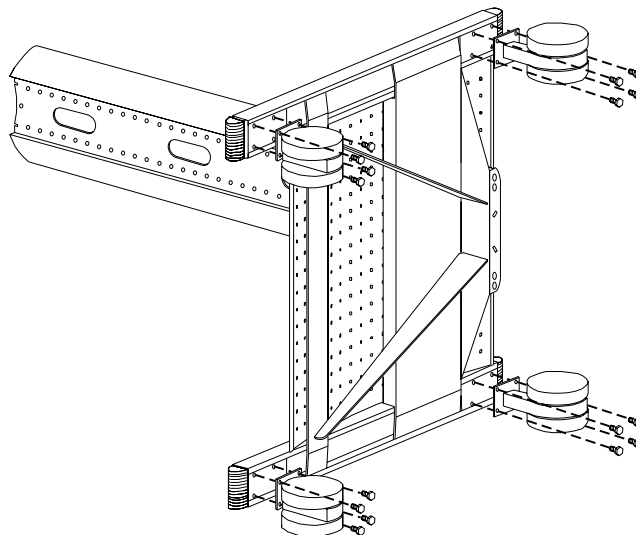
Qty	Description
1	Base Assembly
2	Worksurface Mounting Bracket
1	Handle Assembly
1	Insert Panel
2	Wood Worksurface
2	4" Plate Casters w/ Brake
2	4" Plate Casters w/o Brake

HARDWARE LIST

Qty	Description
16	5/16-18 x 5/8" Hex Head Screws
10	1/4-20 x 5/8" Combo Screws
10	1/4-20 Flange Nuts
12	1/4-20 x 3/4" Combo Screws

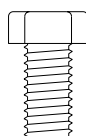
Two person assembly is recommended.

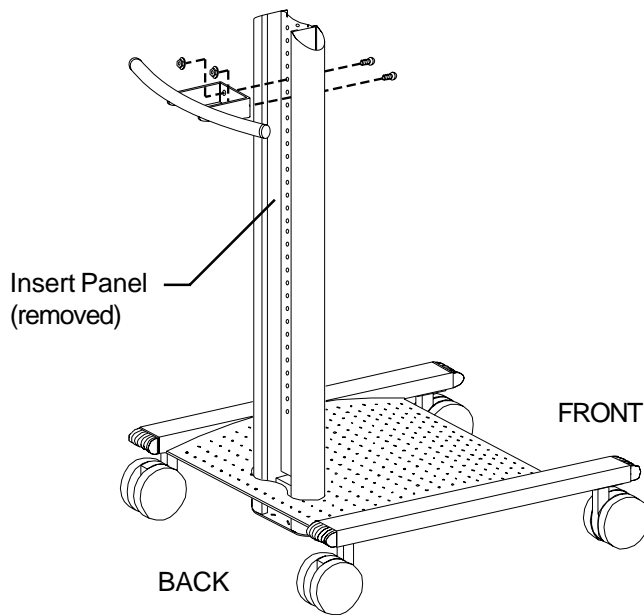
Assembling this unit on a carpeted surface will reduce the risk of damaging the parts.



STEP 1

Lay the base assembly on its side and attach each caster with the 5/16-18 x 5/8" hex head screws as shown.

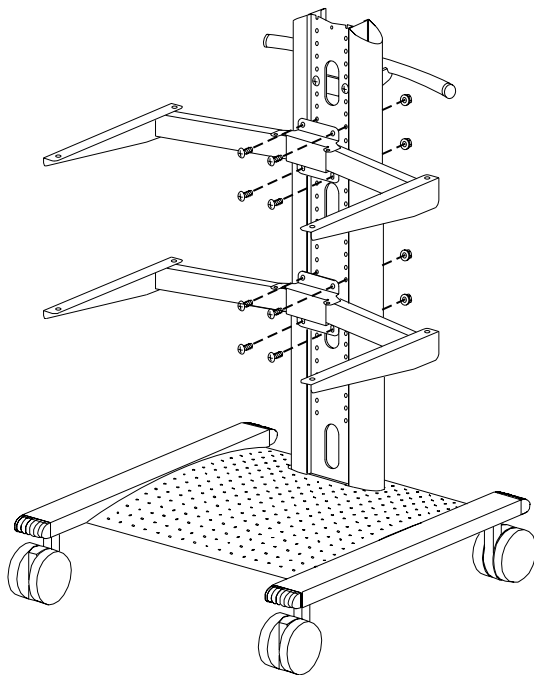
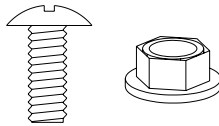




STEP 2

Note: Remove insert panel by unscrewing knurled screw (located at the top, front) to install handle.

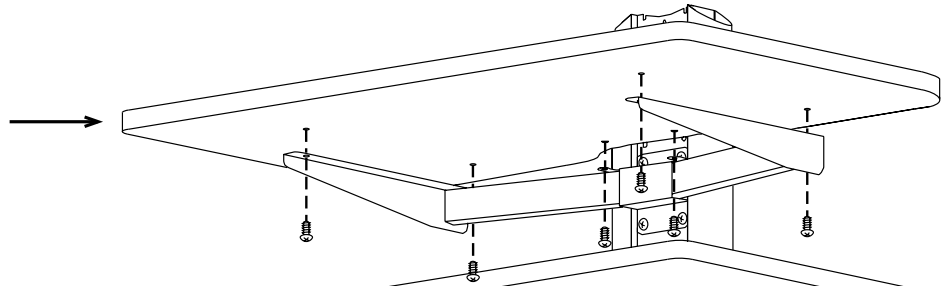
Attach the handle to the back of the upright with the 1/4-20 x 5/8" combo screws and the 1/4-20 flange nuts as shown. **NOTE:** The exact location of the handle on the upright is personal preference.



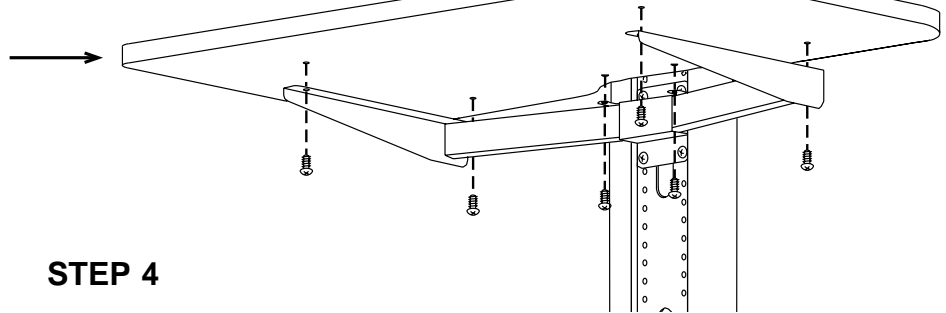
STEP 3

Attach the worksurface mounting brackets to the upright with the 1/4-20 x 5/8" combo screws and the 1/4-20 flange nuts as shown. **NOTE:** The location of these brackets are based on the final desired height of the worksurfaces. The worksurfaces will add 1" to the height of these brackets.

FIRST
INSTALL TOP SURFACE



SECOND
INSTALL BOTTOM SURFACE



STEP 4

With someone's assistance, position the worksurfaces onto the mounting brackets aligning the holes. From underneath, secure together with the 1/4-20 x 3/4" combo screws.

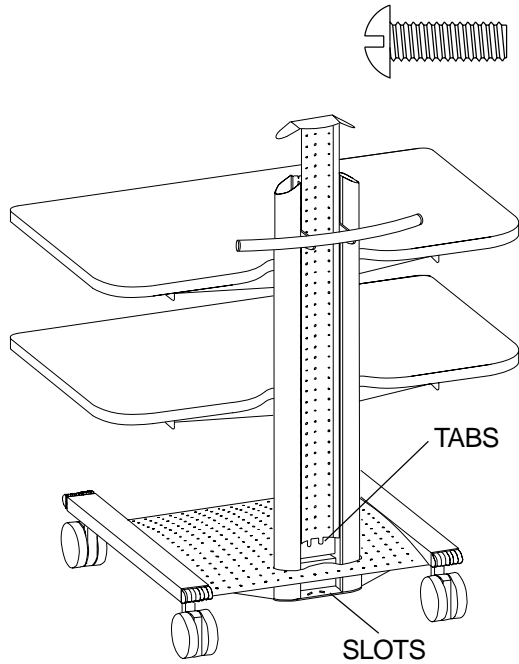


FIGURE 1

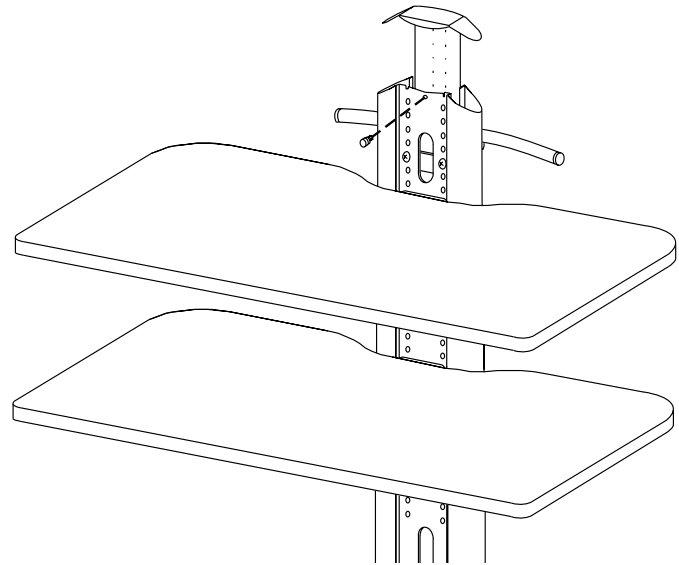
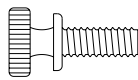


FIGURE 2

STEP 5

Remove the knurled screw from the top of the insert panel. Slide the insert panel between the handle and the upright (**Figure 1**). The tabs on the insert panel should be positioned into the slots on the bottom of the upright. Connect the upright and the insert panel together by replacing the knurled screw (**Figure 2**). **NOTE:** For future adjustments of the worksurface or shelf, first remove the insert panel. Then loosen the screws and nuts on the section needing adjustment. Once all adjustments have been made tighten hardware and replace the insert panel.



Bretford
11000 Seymour Avenue
Franklin Park, IL 60131
TEL: 847.678.2545
800.521.9614
FAX: 847.678.0852
800.343.1779

Bretford Ltd.
Technology House
7 Lake End Court, Taplow
Bucks SL6 0JQ England
TEL: 01628 603558
FAX: 01628 604923