

TABLES: TRAINING TABLES

PRESENTATION ENVIRONMENTS C-BASE TABLES

With a variety of tabletop shapes, as well as mobile, folding, and fixed C-base options, you can mix, match and create a configuration that is ideal for both your flexible and permanent spaces. To provide unobstructed sight lines to all users in your space, add a Vista end table to one of our training tables for more modular video conferencing and training configurations.

- **Award-Winning:** Our award-winning folding TransTable features hidden wheels that make it easy for one or two people to completely change a configuration. Our fixed C-base tables are also available with the TransTable option for easy transport.
- **Unique:** Folding mechanism prevents the work surface from touching the floor on our folding C-base tables.
- **Modular:** Half moon and bow end tables can transform rectangular tables into modular racetrack tables.
- **Adjustable:** Leveling glides adjust from the top without lifting the C-base leg. Folding table locks in both set-up and folded positions for safety.
- **Power Ready:** Hardwire or softwire options are available to power tables.
- **Cord Friendly:** Horizontal and vertical wire management keeps cables concealed. Optional PowerTrak separates power and data wires and provides additional cord management.
- **Durable:** Constructed to meet or exceed ANSI/BIFMA strength and safety standards.
- **Guaranteed:** C-base tables are backed by a 12-year warranty. Optional electrical components are backed by a 1-year warranty.
- **GREENGUARD Certified:** Excludes veneer tops or hardwood edge options.

Available exclusively through 

SPECIFICATION INFORMATION

C-BASE TABLES

TRAINING TABLE GLIDES

On all C-base tables, inside each foot channel there are two glides that allow you to level the table from the top without lifting the leg or turning the table over. Wheels from the TransTable base cannot be added to these training tables.

C-BASE FOLDING TABLES

BASE

All folding TransTables have a lock to secure the table in place when it is being used. Table folds easily without having to be turned upside down. This helps prevent damage to the top and strain on the user. The leg interior has a 2" x 2" (5 x 5cm) wireway so cords can travel vertically. Two oval cutouts are located in the legs so cords have access to the modesty panel and the floor. Scratch resistant polyethylene toe caps complete the leg assembly. Ganging clips connect tables together. The 12, 14 and 18-gauge steel base is finished with the Bretford standard powder paint color of your choice.

MODESTY PANEL

The modesty panel comes standard and features a perforated metal pattern and a 3" x 1" (7.6 x 2.5cm) wireway for cords. The modesty panel also has two holes to mount a 6-outlet power strip so cords are not at the user's feet. Three handles are incorporated into the modesty panel for easy transport by one or two people.

TOP

Tabletops are fabricated from 1" (2.5cm) thick particleboard with high-pressure laminate or a wood veneer finish. The top extends 2^{7/8}" (7.3cm) on each side of the leg frame and has pre-drilled holes with inserts to attach the base and ganging clips. To minimize assembly time, top attaches to the base with four screws. Some tables feature two grommet holes, measuring 1^{1/2}"W x 4"L (3.8 x 10.2cm) and finished in a trim color.

TRANSTABLE WHEELS

On the TransTables, four patented integral wheels are concealed in one of the foot channels. The wheels allow you to easily lift one end of the table and move it to a different location. A top mounted locking mechanism prevents the table from moving while in use. Inside each foot channel are glides that allow you to level the table from the top without lifting the leg or turning the table over.

ADA HEIGHT TABLES

We've added four standard ADA height tables with a folding base and TransTable wheels. ADA height tables look exactly like TransTables but are 32" (81.3cm) high. PowerTrak and hardwire are not recommended on ADA height tables. A 6-outlet softwire power strip can be attached to the modesty panel. Folding C-base training or wave tables can also be modified to meet ADA regulations. Please call Bretford Customer Support at 800.521.9614 for a quote.



Tables ship unassembled.

C-BASE FIXED AND WAVE TABLES

BASE

Less expensive and with all of the durability of a folding table, the fixed C-base table is constructed from 14 and 18-gauge steel. All metal surfaces are powder coated to your color specifications. The legs have a 2" x 2" (5 x 5cm) wireway so cords can travel vertically. Two oval cutouts are located on the legs so cords can have access to the modesty panel wireway and the floor. Scratch resistant polyethylene toe caps complete the leg assembly. The fixed C-base table is available with the training leg base (with adjustable glides) or the Trans leg base.

MODESTY PANEL

The modesty panel comes standard and features a perforated metal pattern and a 3" x 1" (7.6 x 2.5cm) wireway for cords. The modesty panel also has two holes to mount a 6-outlet power strip so cords are not at the user's feet. Three handles are incorporated into the modesty panel for easy transport by one or two people.


TOP

Tabletops are fabricated from 1" (2.5cm) thick particleboard with high-pressure laminate or a wood veneer finish. The top extends 2^{7/8}" (7.3cm) on each side of the leg frame and has pre-drilled holes with inserts to attach the base and ganging clips. To minimize assembly time, top attaches to the base with four screws. Some tables feature two grommet holes, measuring 1^{1/2}"W x 4"L (3.8 x 10.2cm) and finished in a trim color.

PRESENTATION ENVIRONMENTS C-BASE TABLES

TRANSTABLE WHEELS

On the TransTables, four patented integral wheels are concealed in one of the foot channels. The wheels allow you to easily lift one end of the table and move it to a different location. A top mounted locking mechanism prevents the table from moving while in use. Inside each foot channel are glides that allow you to level the table from the top without lifting the leg or turning the table over.

 Tables ship unassembled.

C-BASE TABLE DIMENSIONS

Depth of Table When Folded	6" (15cm)
Height of Modesty Panel from Bottom of Tabletop	11" (28cm)
Overall Height	29" (74cm)
Right/Left Tabletop Overhang	2 ⁷ / ₈ " (8cm)
Distance Between Legs	42"L Table - 31 ¹ / ₈ " (80cm) 48"L Table - 37 ¹ / ₈ " (95cm) 60"L Table - 49 ¹ / ₈ " (126cm) 72"L Table - 61 ¹ / ₈ " (156cm)

C-BASE FOLDING END TABLES

VISTA, HALF MOON AND BOW BASES

Folding C-base incorporates a patented flip top mechanism that locks when the table is open or folded. Legs feature 2" x 8" (5 x 20cm) raceways that conceal cords and allow them to be dropped to the floor. Scratch resistant polyethylene toe caps complete the leg assembly. Bases are constructed from 14 and 18-gauge steel and all metal surfaces are powder coated to your color specifications.

MODESTY PANEL

The modesty panel comes standard and features a perforated metal pattern and a 3" x 1" (7.6 x 2.5cm) wireway for cords. The modesty panel also has two holes to mount a 6-outlet power strip so cords are not at the user's feet. Three handles are incorporated into the modesty panel for easy transport by one or two people.

VISTA TOP

Top comes standard with two grommets for cord management and is available in 1" (2.5cm) thick particleboard with high-pressure laminate or wood veneer. Grommets are finished in specified trim color. PXM0170 has 170° angles designed to fit smaller rooms. PXM1600 has 160° angles designed to fit larger rooms. The top has pre-drilled holes with inserts to attach the base and the ganging clips. To minimize assembly time, top attaches to the base with four screws.

HALF MOON AND BOW TOPS

Tops are fabricated from 1" (2.5cm) thick particle board with high pressure laminate or wood veneer. The top has predrilled holes with inserts to attach the base and ganging clips. Table does not come with grommet holes.

TRANSTABLE WHEELS

Patented integral roller assembly on the TransTable base is positioned in the leg design with a locking device to prevent the tabletop from moving when in use. Four 3/4" (1.9cm) inboard wheels are mounted in the right leg channel. Wheels allow you to easily lift the table from one side and roll it to another area. The Vista table is available only with the TransTable wheel option for ease of mobility when reconfiguring a room.

POWERTRAK

Vista, half moon, and bow tables DO NOT accept the PowerTrak system. However, adjoining PXM0170 Vista tables can be hardwired with one power infed by using the Vista jumper.

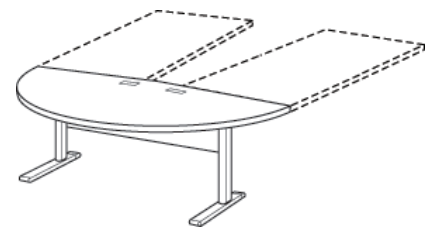
 Tables ship unassembled.

HALF MOON & BOW TABLE DIMENSIONS

Depth of Table When Folded	6" (15cm)
Height of Modesty Panel from Bottom of Tabletop	11" (28cm)
Overall Height	29" (74cm)
Distance Between Legs	PXM6030 - 31 ¹ / ₂ " (80cm) PXE6030 - 31 ¹ / ₂ " (80cm)

VISTA TABLE DIMENSIONS

Depth of Table When Folded	6" (15cm)
Height of Modesty Panel from Bottom of Tabletop	11" (28cm)
Overall Height	29" (74cm)
Distance Between Legs	PXM1600 - 61 ¹ / ₂ " (156cm) PXM0170 - 31 ¹ / ₂ " (80cm)



PXM0170



PXM1600

TABLES: TRAINING TABLES

PRESENTATION ENVIRONMENTS C-BASE TABLES



- All tables come standard with grommet holes, except PXC1860 and PXC1872.
- All tables are PowerTrak compatible, except PXC1860 and PXC1872.
- Tables feature TransTable wheels.
- All tables are GREENGUARD Certified, except tables with veneer tops or hardwood edges.

C-Base Folding TransTables

Model #	W x D x H	Wt	3mm T-Mold	8mm Hardwood	3mm Hardwood	Veneer Profile
PXC1860	60" x 18" x 29"	94 lbs	\$1,128	\$1,429	\$1,822	\$1,866
PXC1872	72" x 18" x 29"	101 lbs	\$1,177	\$1,548	\$1,887	\$1,934
PXC2442	42" x 24" x 29"	86 lbs	\$1,121	\$1,402	\$1,866	\$1,904
PXC2448	48" x 24" x 29"	88 lbs	\$1,169	\$1,458	\$1,919	\$1,956
PXC2460	60" x 24" x 29"	106 lbs	\$1,206	\$1,549	\$1,993	\$2,031
PXC2472	72" x 24" x 29"	120 lbs	\$1,306	\$1,703	\$2,131	\$2,167
PXC3042	42" x 30" x 29"	93 lbs	\$1,169	\$1,473	\$2,010	\$2,062
PXC3048	48" x 30" x 29"	98 lbs	\$1,212	\$1,527	\$2,098	\$2,146
PXC3060	60" x 30" x 29"	116 lbs	\$1,258	\$1,626	\$2,174	\$2,227
PXC3072	72" x 30" x 29"	130 lbs	\$1,355	\$1,781	\$2,310	\$2,370

(01)

(06)

(04)

(05)

LAMINATE TOP EDGE DETAILS VENEER TOP EDGE DETAILS



- Tables come standard with grommet holes.
- Tables feature TransTable wheels.
- All tables are GREENGUARD Certified, except tables with veneer tops or hardwood edges.

C-Base Folding TransTables - ADA Height

Model #	W x D x H	Wt	3mm T-Mold	8mm Hardwood	3mm Hardwood	Veneer Profile
PADA2448	48" x 24" x 32"	99 lbs	\$1,419	\$1,770	\$2,329	\$2,375
PADA2472	72" x 24" x 32"	108 lbs	\$1,585	\$2,067	\$2,587	\$2,631
PADA3048	48" x 30" x 32"	103 lbs	\$1,472	\$1,854	\$2,547	\$1,605
PADA3072	72" x 30" x 32"	108 lbs	\$1,645	\$2,161	\$2,804	\$2,878

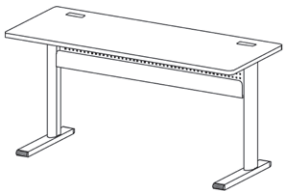
(01)

(06)

(04)

(05)

LAMINATE TOP EDGE DETAILS VENEER TOP EDGE DETAILS



- All tables come standard with grommet holes, except PTT1860 and PTT1872.
- All tables are PowerTrak compatible, except PTT1860 and PTT1872.
- All tables are GREENGUARD Certified, except tables with veneer tops or hardwood edges.

C-Base Folding Training Tables

Model #	W x D x H	Wt	3mm T-Mold	8mm Hardwood	3mm Hardwood	Veneer Profile
PTT1860	60" x 18" x 29"	94 lbs	\$1,014	\$1,316	\$1,700	\$1,749
PTT1872	72" x 18" x 29"	106 lbs	\$1,063	\$1,433	\$1,767	\$1,813
PTT2442	42" x 24" x 29"	86 lbs	\$1,006	\$1,289	\$1,748	\$1,783
PTT2448	48" x 24" x 29"	88 lbs	\$1,057	\$1,344	\$1,797	\$1,835
PTT2460	60" x 24" x 29"	108 lbs	\$1,091	\$1,434	\$1,872	\$1,913
PTT2472	72" x 24" x 29"	122 lbs	\$1,192	\$1,588	\$2,010	\$2,048
PTT3042	42" x 30" x 29"	94 lbs	\$1,057	\$1,359	\$1,897	\$1,941
PTT3048	48" x 30" x 29"	98 lbs	\$1,102	\$1,415	\$1,981	\$2,024
PTT3060	60" x 30" x 29"	118 lbs	\$1,141	\$1,511	\$2,056	\$2,108
PTT3072	72" x 30" x 29"	134 lbs	\$1,241	\$1,664	\$2,191	\$2,249

(01)

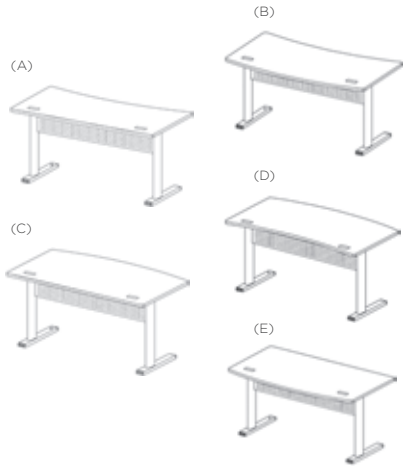
(06)

(04)

(05)

LAMINATE TOP EDGE DETAILS VENEER TOP EDGE DETAILS

PRESENTATION ENVIRONMENTS C-BASE TABLES



C-Base Folding Trans Wave Tables

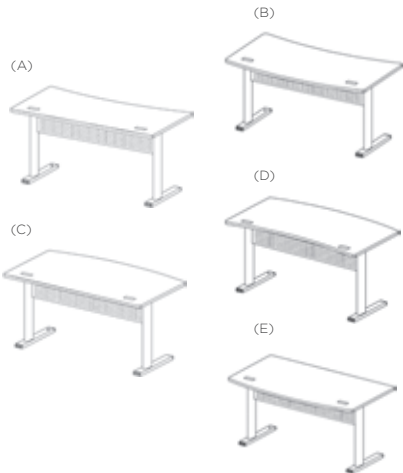
Model #	Wave	W x D x H	Edge Depth	Wt	3mm T-Mold	3mm Hardwood
PXWAS36 (A)	Concave/Straight	60" x 30" x 29"	30"	112 lbs	\$1,645	\$2,769
PXWAX63 (B)	Concave/Convex	60" x 33 ¹ / ₂ " x 29"	30"	118 lbs	\$1,645	\$2,769
PXWSX36 (C)	Convex/Straight	60" x 33 ¹ / ₂ " x 29"	30"	118 lbs	\$1,645	\$2,769
PXWXA36 (D)	Convex/Concave	60" x 33 ¹ / ₂ " x 29"	30"	118 lbs	\$1,645	\$2,769
PXWXS63 (E)	Straight/Convex	60" x 33 ¹ / ₂ " x 29"	30"	118 lbs	\$1,645	\$2,769

GREENGUARD
GREENGUARD
GREENGUARD

(01)
LAMINATE TOP
EDGE DETAILS

(04)
VENEER TOP
EDGE DETAILS

- Tables come standard with grommet holes
- Only PXWAS36 and PXWSX36 tables support the PowerTrak System.
- Tables feature TransTable wheels.
- All tables are GREENGUARD Certified, except tables with veneer tops or hardwood edges.



C-Base Folding Training Wave Tables

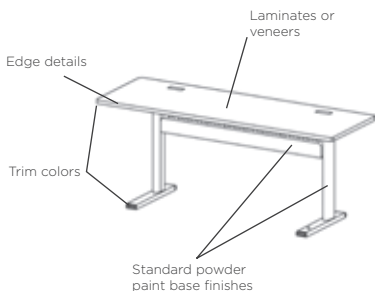
Model #	Wave	W x D x H	Edge Depth	Wt	3mm T-Mold	3mm Hardwood
PATAS36 (A)	Concave/Straight	60" x 30" x 29"	30"	112 lbs	\$1,506	\$2,623
PATAX63 (B)	Concave/Convex	60" x 33 ¹ / ₂ " x 29"	30"	118 lbs	\$1,506	\$2,623
PATSX36 (C)	Convex/Straight	60" x 33 ¹ / ₂ " x 29"	30"	120 lbs	\$1,506	\$2,623
PATXA36 (D)	Convex/Concave	60" x 33 ¹ / ₂ " x 29"	30"	120 lbs	\$1,506	\$2,623
PATXS63 (E)	Straight/Convex	60" x 33 ¹ / ₂ " x 29"	30"	120 lbs	\$1,506	\$2,623

GREENGUARD
GREENGUARD
GREENGUARD

(01)
LAMINATE TOP
EDGE DETAILS

(04)
VENEER TOP
EDGE DETAILS

- Tables come standard with grommet holes.
- Only PATAS36 and PATSX36 tables support the PowerTrak System.
- All tables are GREENGUARD Certified, except tables with veneer tops or hardwood edges.



How to Order a C-Base Folding TransTable:

Example: C-Base TransTable 42"W x 24"D; Cardinal Base Color; Grey Glace Laminate; Anthracite Trim; 3mm T-Mold Edge Detail.

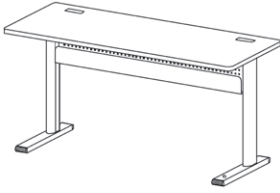
* NOTE: To order 8mm hardwood edge (edge 06), indicate two digit finish choice after edge detail.





PXC2442 - CD - 102 - A - 01 - *

Model No. Paint Base Color Laminate or Veneer Trim Color Edge Detail Hardwood Edge Finish

TABLES: TRAINING TABLES

PRESENTATION ENVIRONMENTS C-BASE TABLES




-  All tables come standard with grommet holes, except PRN1860 and PRN1872.
-  All tables are PowerTrak compatible, except PRN1860 and PRN1872.
-  Tables feature TransTable wheels.
-  All tables are GREENGUARD Certified, except tables with veneer tops or hardwood edges.

C-Base Fixed TransTables

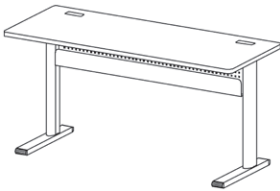
Model #	W x D x H	Wt	3mm T-Mold	8mm Hardwood	3mm Hardwood	Veneer Profile
PRN1860	60" x 18" x 29"	54 lbs	\$908	\$1,207	\$1,579	\$1,623
PRN1872	72" x 18" x 29"	98 lbs	\$950	\$1,317	\$1,635	\$1,692
PRN2442	42" x 24" x 29"	89 lbs	\$884	\$1,170	\$1,607	\$1,644
PRN2448	48" x 24" x 29"	86 lbs	\$908	\$1,193	\$1,628	\$1,664
PRN2460	60" x 24" x 29"	102 lbs	\$950	\$1,289	\$1,673	\$1,708
PRN2472	72" x 24" x 29"	118 lbs	\$1,003	\$1,399	\$1,796	\$1,832
PRN3042	42" x 30" x 29"	97 lbs	\$928	\$1,241	\$1,782	\$1,827
PRN3048	48" x 30" x 29"	94 lbs	\$950	\$1,263	\$1,803	\$1,848
PRN3060	60" x 30" x 29"	98 lbs	\$988	\$1,358	\$1,878	\$1,928
PRN3072	72" x 30" x 29"	112 lbs	\$1,042	\$1,467	\$1,973	\$2,031






LAMINATE TOP EDGE DETAILS




VENEER TOP EDGE DETAILS




-  All tables come standard with grommet holes, PNF1860 and PNF1872.
-  All tables are PowerTrak compatible, except PNF1860 and PNF1872.
-  All tables are GREENGUARD Certified, except tables with veneer tops or hardwood edges.

C-Base Fixed Training Tables

Model #	W x D x H	Wt	3mm T-Mold	8mm Hardwood	3mm Hardwood	Veneer Profile
PNF1860	60" x 18" x 29"	82 lbs	\$797	\$1,096	\$1,459	\$1,505
PNF1872	72" x 18" x 29"	89 lbs	\$839	\$1,207	\$1,519	\$1,579
PNF2442	42" x 24" x 29"	80 lbs	\$776	\$1,063	\$1,490	\$1,527
PNF2448	48" x 24" x 29"	84 lbs	\$797	\$1,085	\$1,511	\$1,549
PNF2460	60" x 24" x 29"	93 lbs	\$839	\$1,183	\$1,555	\$1,591
PNF2472	72" x 24" x 29"	101 lbs	\$893	\$1,289	\$1,680	\$1,717
PNF3042	42" x 30" x 29"	88 lbs	\$818	\$1,133	\$1,664	\$1,708
PNF3048	48" x 30" x 29"	93 lbs	\$839	\$1,154	\$1,687	\$1,730
PNF3060	60" x 30" x 29"	104 lbs	\$879	\$1,247	\$1,759	\$1,813
PNF3072	72" x 30" x 29"	114 lbs	\$932	\$1,358	\$1,855	\$1,915

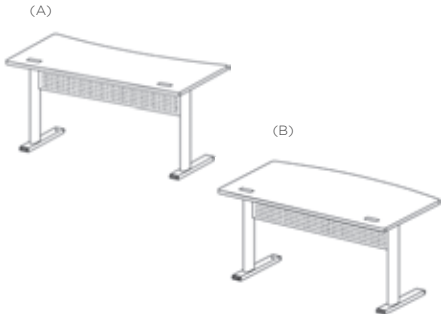


LAMINATE TOP EDGE DETAILS



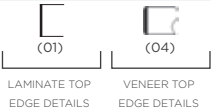
VENEER TOP EDGE DETAILS

PRESENTATION ENVIRONMENTS C-BASE TABLES

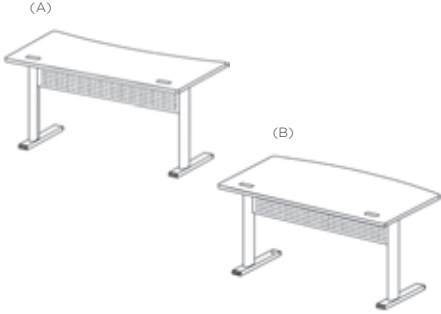


C-Base Fixed Trans Wave Tables

Model #	Wave	W x D x H	Edge Depth	Wt	3mm T-Mold	3mm Hardwood
PWCVT60 (A)	Concave/Straight	60" x 30" x 29"	30"	110 lbs	\$1,317	\$2,445
PFWVXT60 (B)	Convex/Straight	60" x 33 1/2" x 29"	30"	102 lbs	\$1,317	\$2,445

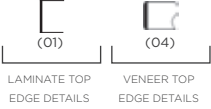


- Tables come with grommet holes.
- Tables are PowerTrak compatible.
- Tables feature TransTable wheels.
- ⚠ All tables are GREENGUARD Certified, except tables with veneer tops or hardwood edges.

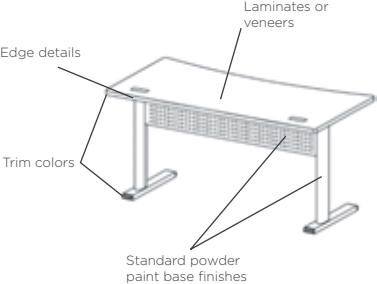


C-Base Fixed Training Wave Tables

Model #	Wave	W x D x H	Edge Depth	Wt	3mm T-Mold	3mm Hardwood
PWCVS60 (A)	Concave/Straight	60" x 30" x 29"	30"	106 lbs	\$1,184	\$2,302
PWVXS60 (B)	Convex/Straight	60" x 33 1/2" x 29"	30"	110 lbs	\$1,184	\$2,302



- Tables come with grommet holes.
- Tables are PowerTrak compatible.
- ⚠ All tables are GREENGUARD Certified, except tables with veneer tops or hardwood edges.



How to Order a C-Base Fixed Training Wave Table:

Example: C-Base Fixed Concave/Straight Table 60"W x 30"D; Raven Base Color; Medium Cherry Veneer; Raven Trim; 3mm Hardwood Edge Detail.

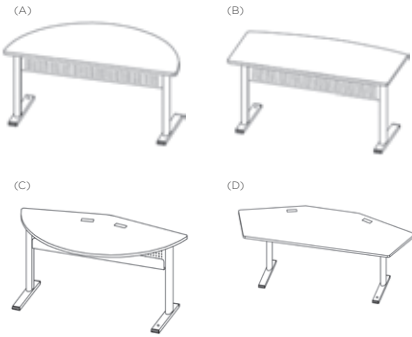
* NOTE: To order 8mm hardwood edge (edge 06), indicate two digit finish choice after edge detail.

PWCVS60 - RN - 77 - R - 04 - *

Model No. Paint Base Color Laminate or Veneer Trim Color Edge Detail Hardwood Edge Finish

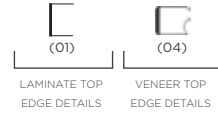
TABLES: TRAINING TABLES

PRESENTATION ENVIRONMENTS C-BASE TABLES



C-Base Folding End TransTables

Model #	Shape	W x D x H	Edge W	Wt	3mm T-Mold	3mm Hardwood
PXM6030 (A)	Half Moon	60" x 30" x 29"	30"	102 lbs	\$1,845	\$2,981
PXE6030 (B)	Bow End	60" x 30" x 29"	30"	105 lbs	\$1,845	\$2,981
PXM0170 (C)	Vista (170°)	63 ¹ / ₂ " x 30" x 29"	30"	136 lbs	\$2,014	\$3,153
PXM1600 (D)	Vista (160°)	80 ¹ / ₂ " x 30" x 29"	30"	134 lbs	\$2,164	\$3,543

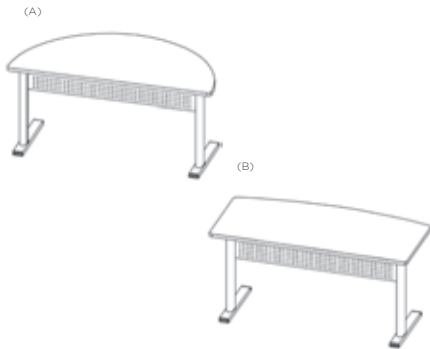
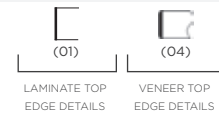


30" D.
24" D.
30" D.

- PXM0170 and PXM1600 come standard with grommet holes.
- ⦿ Tables feature TransTable wheels.
- ⚠ Veneer and laminate grain runs left to right.
- ⚠ All tables are GREENGUARD Certified, except tables with veneer tops or hardwood edges.

C-Base Folding End Training Tables

Model #	Shape	W x D x H	Wt	3mm T-Mold	3mm Hardwood
PHT6030 (A)	Half Moon	60" x 30" x 29"	100 lbs	\$1,698	\$2,825
PBT6030 (B)	Bow End	60" x 30" x 29"	100 lbs	\$1,698	\$2,825



- ⊘ Tables do NOT come with grommet holes.
- ⚠ Veneer and laminate grain runs left to right.
- ⚠ All tables are GREENGUARD Certified, except tables with veneer tops or hardwood edges.

How to Order a C-Base Folding End Training Table:

Example: C-Base Folding Half Moon End Table 60"W x 30"D; Cardinal Base Color; Grey Glace Laminate; Anthracite Trim; 3mm T-Mold Edge Detail.

PHT6030 - CD - 102 - A - 01
 Model No. Paint Base Color Laminate or Veneer Trim Color Edge Detail

