

# BRETFORD BASICS™

## LCD PROJECTOR MOUNTS

### TPMA SERIES DATA PROJECTOR MOUNTS



TPMA1-BK



TPMA2-BK

### FEATURES

- Mounting arms easily adjust to fit many LCD data projectors.
- Available in two different styles for installation to a ceiling.
- Open design allows air flow to cool projector and allows for access to controls on all sides of the projector.
- Mount has roll, pitch and yaw adjustments to fine tune your projector for best picture.
- Projector can be mounted right side up or upside down.
- TPMA1-BK is designed to be mounted with 1-1/2" pipe or 1/4" threaded rod (mounting accessories sold separately).
- TPMA2-BK is designed to attach flush to the ceiling -- mounting plate included.
- Constructed using an average 30% post-consumer recycled steel content and finished in environmentally friendly powder paint. Steel components are 100% recyclable at the end of the product life cycle. PAL carts are certified to GREENGUARD Children & Schools Indoor Air Quality standards.
- Made in the USA.



## DIMENSIONS

Overall (all models): Up to 17" w x 27" d x 16" h

Pitch: 10°

Roll: 10°

Yaw: 360°

## COLOR & FINISH

Black (BK) powder paint

## WEIGHT AND FREIGHT CLASS

TPMA1-BK: 22 lbs., Freight class 70 UPS

Ships ready to assemble in one (1) carton pack

TPMA2-BK: 17 lbs., Freight class 70 UPS

Ships ready to assemble in one (1) carton pack

## ACCESSORIES (FOR USE WITH TPMA1-BK)

TV4	4" L Ceiling 1-1/2" NPS Pipe
TV10	10" L Ceiling 1-1/2" NPS Pipe
TV18-BK	18" L Ceiling 1-1/2" NPS Pipe
TVCM-BK	Flat Ceiling Mounting Bracket
TVCCB-BK	Cathedral Ceiling Mounting Bracket
TVCPLR-BK	1-1/2" NPS Pipe Coupler
TVER-BK	NPS Pipe Escutcheon Ring for Drop Ceiling

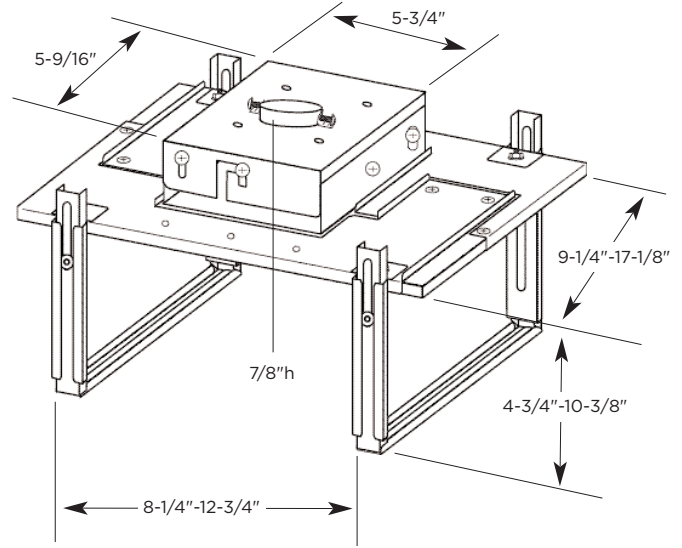
## CARTON DIMENSIONS & UPC CODE

TPMA1-BK: 17-1/4" w x 10-1/4" d x 6" h / 96633 17534

TPMA2-BK: 17-1/4" w x 10-1/4" d x 6" h / 96633 17535

## SUGGESTED SPECIFICATIONS

The mounts shall be constructed of 12 & 14 gauge steel. The mount shall have a powder paint finish of black color. The mount shall be constructed with height adjustable from 4-3/4"-10-3/8", width adjustable from 8-1/4"-12-3/4" and depth adjustable from 9-3/4"-17-1/8" to accommodate most LCD Projectors. The mounts have pitch adjustment up to 10° and roll adjustment up to 10°. Ceiling and Wall Mounts have yaw adjustment up to 360° while the Ceiling Flush Mount has yaw adjustment up to 33° left and right off the projection line. The Ceiling Flush mounts shall be combined with the appropriate mounting hardware for installation. The TPMA1 Ceiling Mount does not come with mounting accessories (must be purchased separately depending on the installation). The installation contractor shall mount the unit in accordance with the instructions provided. All mounts and mounting accessories are certified to GREENGUARD Children & Schools Indoor Air Quality standards.



11000 SEYMOUR AVENUE  
FRANKLIN PARK, ILLINOIS 60131 USA  
TOLL FREE PHONE 800-521-9614  
PHONE 847-678-2545  
TOLL FREE FAX 800-343-1779  
FAX 847-678-0852  
WWW.BRETFORD.COM