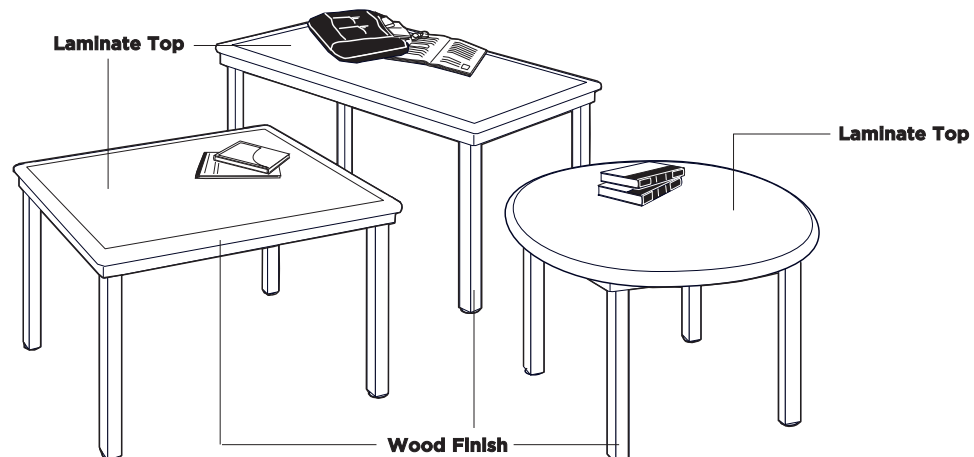


READING TABLES



Bretford offers two styles of Legacy Reading Tables, Traditional or Contemporary, in three shapes to fit any existing decor or need.

- Legs and edge treatments are made of beautiful hardwood for years of use.
- Traditional style work surfaces are constructed of solid lumber core and are covered with a durable, high-pressure laminate for easy cleaning.
- Contemporary style work surfaces are constructed of industrial grade particle board and are covered with a durable, high-pressure laminate.
- Four standard heights are available to accommodate everyone, including ADA requirements.
- Available in several widths and lengths for multiple uses.



READING TABLES

The Legacy Library System includes reading tables that are ideal for group study areas, book displays, or small collections of reference or informational materials. Legs and edge treatments are hardwood constructed with rounded edges which create a smooth, finished look. Worksurfaces are finished in a durable laminate that provides years of lasting use.

Traditional Style Table Tops:

Each traditional table top is constructed of 1/4" thick industrial grade particle board covered with .050" thick high pressure laminate with .028" thick backer. Edge treatments are 1/16" thick solid hardwood, FAS select or better, that is kiln dried to a moisture content of less than 7%. Each top has a 3/4" x 1 3/8" solid hardwood support rail that spans between each leg assembly.

Contemporary Style Table Tops:

Each contemporary (apron-less) table top is constructed of 1/4" thick industrial grade particle board covered with .050" thick high pressure laminate with .028" thick backer. Drop edge treatments measure 1 3/4" high and are 1/16" thick, solid hardwood, FAS select or better, that is kiln dried to a moisture content of less than 7%.

Worksurface Heights:

Tables are available in the following worksurface heights:

- Juvenile (J) is 25"H
- Youth (Y) is 26 1/2"H
- Adult (A) is 29"H
- Wheelchair (W) is 32"H.

ADA Compliant Traditional Reading Tables:

Wheelchair or "W" models are ADA compliant. The table work surface is 32"H with 29"H knee clearance. Knee width between legs varies depending on table size but may be obtained by subtracting 7.5" from the overall width or depth of a rectangle or square table. Knee width on round tables is obtained by subtracting 19.5" from the overall width. Knee depth is determined by the work surface depth. Traditional Reading Tables do not feature a modesty panel and there are no obstructions to interfere with the knee depth.

ADA Compliant Contemporary Reading Tables:

Wheelchair or "W" models are ADA compliant. The table work surface is 32"H with 29.75"H knee clearance. Knee width between legs varies depending on table size but may be obtained by subtracting 7.5" from the overall width or depth of a rectangle or square table. Knee width on round tables is obtained by subtracting 19.5" from the overall width. Knee depth is determined by the work surface depth. Contemporary Reading Tables do not feature a modesty panel and there are no obstructions to interfere with the knee depth.

Table Top Support:

All table tops 60" or longer are supported with a 14-gauge steel square stiffener. All table tops 90" long and/or 48" wide have two, 14-gauge steel square stiffeners running in parallel.

Leg Construction:

Legs are 2 1/8" square glued-up solid hardwood, FAS select and better.

Leg Assembly:

Legs are attached using a 5" square x 5/16" thick plate. The leg is attached with two 5/16" x 3" machine bolts that screw into a double 5/16", 18 barrel nut embedded into the leg. The steel plate is attached to the table top using five, 5/16" - 18 x 1/4" hex head machine bolts that screw into pre-threaded metal inserts.

Leg Leveling Glides:

Each leg has a 1 3/4" diameter x 1/2" long leg leveling glide that screws into a pre-threaded metal insert.



TIP: Legacy Library furniture comes in a variety of paint finishes, laminates and veneers. See page 4 for options.



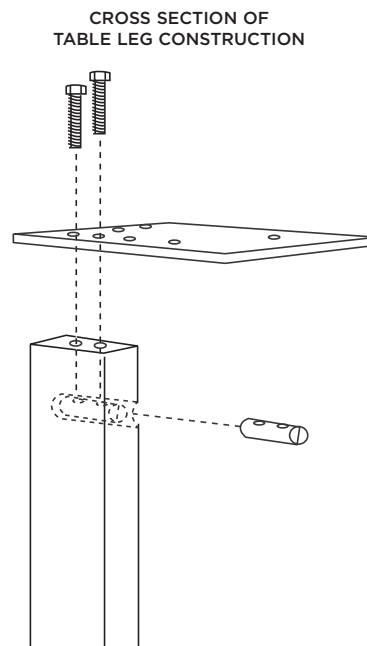
Traditional Style Table Edge With Support Rail



Contemporary Style Table Edge



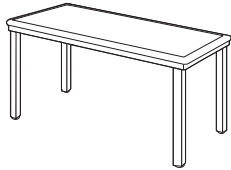
Underside of table - Leg connection



TRADITIONAL READING TABLES

PRODUCT	JUVENILE HEIGHT MODEL #	YOUTH HEIGHT MODEL #	ADULT HEIGHT MODEL #	ADA HEIGHT MODEL #	DESCRIPTION
---------	-------------------------------	----------------------------	----------------------------	--------------------------	-------------

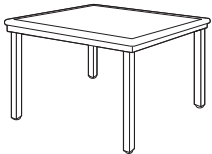
RECTANGLE TABLES



LT2436J-__	LT2436Y-__	LT2436A-__	LT2436W-__	24"D x 36"W
LT3060J-__	LT3060Y-__	LT3060A-__	LT3060W-__	30"D x 60"W
LT3072J-__	LT3072Y-__	LT3072A-__	LT3072W-__	30"D x 72"W
LT3648J-__	LT3648Y-__	LT3648A-__	LT3648W-__	36"D x 48"W
LT3660J-__	LT3660Y-__	LT3660A-__	LT3660W-__	36"D x 60"W
LT3672J-__	LT3672Y-__	LT3672A-__	LT3672W-__	36"D x 72"W
LT3690J-__	LT3690Y-__	LT3690A-__	LT3690W-__	36"D x 90"W
LT4260J-__	LT4260Y-__	LT4260A-__	LT4260W-__	42"D x 60"W
LT4272J-__	LT4272Y-__	LT4272A-__	LT4272W-__	42"D x 72"W
LT4290J-__	LT4290Y-__	LT4290A-__	LT4290W-__	42"D x 90"W
LT4860J-__	LT4860Y-__	LT4860A-__	LT4860W-__	48"D x 60"W
LT4872J-__	LT4872Y-__	LT4872A-__	LT4872W-__	48"D x 72"W
LT4890J-__	LT4890Y-__	LT4890A-__	LT4890W-__	48"D x 90"W

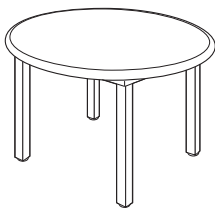
Bretford's Traditional Reading Tables come in a variety of sizes to meet your users needs. These tables feature a laminate top with hardwood edges, skirt and legs. The construction of these tables is so sturdy, they will last for years.

SQUARE TABLES



LT4242J-__	LT4242Y-__	LT4242A-__	LT4242W-__	42"D x 42"W
LT4848J-__	LT4848Y-__	LT4848A-__	LT4848W-__	48"D x 48"W

ROUND TABLES



LT42DIJ-__	LT42DIY-__	LT42DIA-__	LT42DIW-__	42" Diameter
LT48DIJ-__	LT48DIY-__	LT48DIA-__	LT48DIW-__	48" Diameter
LT60DIJ-__	LT60DIY-__	LT60DIA-__	LT60DIW-__	60" Diameter

HOW TO ORDER READING TABLES:

Example: 42" Diameter Round Reading Table - Adult Height; Folkstone Grey Laminate; Medium Cherry Veneer

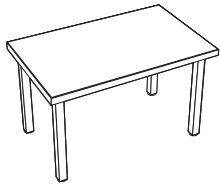
LT42DIA 8Q C7

Model Number Laminate Veneer

CONTEMPORARY READING TABLES

PRODUCT	JUVENILE HEIGHT MODEL #	YOUTH HEIGHT MODEL #	ADULT HEIGHT MODEL #	ADA HEIGHT MODEL #	DESCRIPTION
---------	-------------------------------	----------------------------	----------------------------	--------------------------	-------------

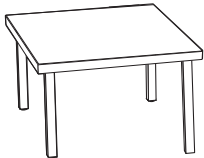
RECTANGLE TABLES



LTPT2436J-__	LTPT2436Y-__	LTPT2436A-__	LTPT2436W-__	24"D x 36"W
LTPT3060J-__	LTPT3060Y-__	LTPT3060A-__	LTPT3060W-__	30"D x 60"W
LTPT3072J-__	LTPT3072Y-__	LTPT3072A-__	LTPT3072W-__	30"D x 72"W
LTPT3648J-__	LTPT3648Y-__	LTPT3648A-__	LTPT3648W-__	36"D x 48"W
LTPT3660J-__	LTPT3660Y-__	LTPT3660A-__	LTPT3660W-__	36"D x 60"W
LTPT3672J-__	LTPT3672Y-__	LTPT3672A-__	LTPT3672W-__	36"D x 72"W
LTPT3690J-__	LTPT3690Y-__	LTPT3690A-__	LTPT3690W-__	36"D x 90"W
LTPT4260J-__	LTPT4260Y-__	LTPT4260A-__	LTPT4260W-__	42"D x 60"W
LTPT4272J-__	LTPT4272Y-__	LTPT4272A-__	LTPT4272W-__	42"D x 72"W
LTPT4290J-__	LTPT4290Y-__	LTPT4290A-__	LTPT4290W-__	42"D x 90"W
LTPT4860J-__	LTPT4860Y-__	LTPT4860A-__	LTPT4860W-__	48"D x 60"W
LTPT4872J-__	LTPT4872Y-__	LTPT4872A-__	LTPT4872W-__	48"D x 72"W
LTPT4890J-__	LTPT4890Y-__	LTPT4890A-__	LTPT4890W-__	48"D x 90"W

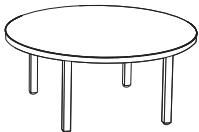
Bretford's Contemporary Reading Tables are very similar to the Traditional Reading Tables. What makes these different is their edge bands on the worksurface. Contemporary Reading Tables have a sleek, drop edge treatment with no apron.

SQUARE TABLES



LTPT4242J-__	LTPT4242Y-__	LTPT4242A-__	LTPT4242W-__	42"D x 42"W
LTPT4848J-__	LTPT4848Y-__	LTPT4848A-__	LTPT4848W-__	48"D x 48"W

ROUND TABLES



LTPT42DIJ-__	LTPT42DIY-__	LTPT42DIA-__	LTPT42DIW-__	42" Diameter
LTPT48DIJ-__	LTPT48DIY-__	LTPT48DIA-__	LTPT48DIW-__	48" Diameter
LTPT60DIJ-__	LTPT60DIY-__	LTPT60DIA-__	LTPT60DIW-__	60" Diameter